

## Ultra Miniature 400Hz Power Transformers: SURFACE MOUNT

.375 VA to 2.4 VA

Primary Voltages of 115V or 26V

### SURFACE MOUNT

PICO surface mount units utilize materials and methods to withstand extreme temperatures of vapor phase, I.R., and other reflow procedures without degradation of electrical or mechanical characteristics.

### Specifications

- Manufactured to MIL-PRF-27, Grade 5, Class S.
- 90° C Ambient
- Input Primary 115v - 400Hz ± 20Hz or 26v - 400Hz - ± 20Hz (Your Choice - Just Choose The Proper Part No.)
- Regulation is 24% (84000 Series Have Regulation of 17%)
- Secondary Voltage Adjusted to Nominal Value at Half Load.
- Moisture Sensitivity Level: MSL3
- Terminals: meets solderability per MIL-STD-202, Method 208.

<b>115V/26V Primary</b>				
<b>SEC/ VOLT</b>	<b>SEC/ CURRENT ma</b>	<b>MODEL NUMBER 115V PRIMARY</b>	<b>MODEL NUMBER 26V PRIMARY</b>	<b>PICO PRICES 1-9* (US \$)</b>
5.0 ct	75	76900	76902	72.97
	150	77900	77902	72.97
	204	82650	82815	107.76
	338	83650	83815	95.84
	480	84650	84815	99.95
6.3 ct	59.5	76899	76903	72.97
	119	77899	77903	72.97
	162	82655	82820	107.76
	268	83655	83820	95.84
	381	84655	84820	99.95
8.0 ct	47	76898	76904	72.97
	94	77898	77904	72.97
	128	82660	82825	107.76
	211	83660	83825	95.84
	300	84660	84825	99.95
10 ct	37.5	76897	76905	72.97
	75	77897	77905	72.97
	102	82665	82830	107.76
	169	83665	83830	95.84
	240	84665	84830	99.95

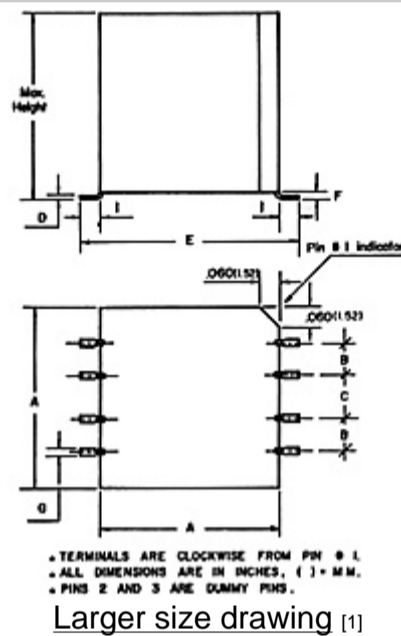
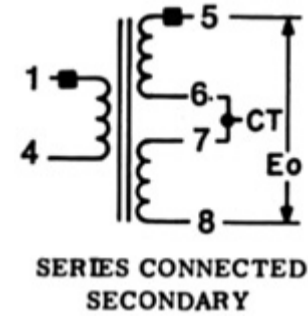
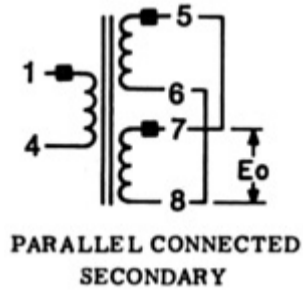
12.8 ct	29 58.6 79.7 132 188	76892 77892 82670 83670 84670	76906 77906 82835 83835 84835	72.97 72.97 107.76 95.84 99.95
14 ct	26.8 53.6 72.9 121 171	76889 77889 82675 83675 84675	76907 77907 82840 83840 84840	72.97 72.97 107.76 95.84 99.95
16 ct	23 47 63.8 106 150	76887 77887 82680 83680 84680	76908 77908 82845 83845 84845	72.97 72.97 107.76 95.84 99.95
18 ct	20.8 41.7 56.7 93.9 133	76886 77886 82685 83685 84685	76909 77909 82850 83850 84850	72.97 72.97 107.76 95.84 99.95
20 ct	18.8 37.5 51 84.5 120	76885 77885 82690 83690 84690	76911 77911 82855 83855 84855	72.97 72.97 107.76 95.84 99.95
22 ct	17 34 46.4 76.8 109	76884 77884 82695 83695 84695	76912 77912 82860 83860 84860	72.97 72.97 107.76 95.84 99.95
24 ct	15.5 31 42.5 70.4 100	76882 77882 82700 83700 84700	76913 77913 82865 83865 84865	72.97 72.97 107.76 95.84 99.95
28 ct	13.4 26.8 36.4 60.4 85.7	76881 77881 82705 83705 84705	76914 77914 82870 83870 84870	72.97 72.97 107.76 95.84 99.95
<b>SEC/ VOLT</b>	<b>SEC/ CURRENT ma</b>	<b>MODEL NUMBER 115V PRIMARY</b>	<b>MODEL NUMBER 26V PRIMARY</b>	<b>PICO PRICES 1-9* (US \$)</b>
31 ct	12 24 32.9 54.5 77.4	76879 77879 82710 83710 84710	76916 77916 82875 83875 84875	72.97 72.97 107.76 95.84 99.95
36 ct	10.4 20.8 28.3 46.9 66.7	76877 77877 82715 83715 84715	76917 77917 82880 83880 84880	72.97 72.97 107.76 95.84 99.95
39 ct	9.6 19.2 26.2 43.3 61.5	76876 77876 82720 83720 84720	76918 77918 82885 83885 84885	72.97 72.97 107.76 95.84 99.95
43 ct	8.7 17.4 23.7 39.3 55.8	76875 77875 82725 83725 84725	76919 77919 82890 83890 84890	72.97 72.97 107.76 95.84 99.95

48 ct	7.8 15.6 21.1 35.2 50	76874 77874 82730 83730 84730	76920 77920 82895 83895 84895	72.97 72.97 107.76 95.84 99.95
56 ct	6.6 13.2 18.2 30.2 42.9	76872 77872 82735 83735 84735	76921 77921 82900 83900 84900	72.97 72.97 107.76 95.84 99.95
63 ct	6 11.9 16.2 26.9 38.2	76869 77869 82740 83740 84740	76922 77922 82905 83905 84905	72.97 72.97 107.76 95.84 99.95
68 ct	5.5 11 15 24.9 35.3	76867 77867 82745 83745 84745	76923 77923 82910 83910 84910	72.97 72.97 107.76 95.84 99.95
80 ct	4.6 9.4 12.1 21.1 30	76862 77862 82750 83750 84750	76925 77925 82915 83915 84915	72.97 72.97 107.76 95.84 99.95
88 ct	4.2 8.5 11.6 19.2 27.3	76857 77857 82755 83755 84755	76926 77926 82920 83920 84920	72.97 72.97 107.76 95.84 99.95
100 ct	3.7 8.5 10.2 16.9 24	76854 77854 82760 83760 84760	76927 77927 82925 83925 84925	72.97 72.97 107.76 95.84 99.95
<b>SEC/ VOLT</b>	<b>SEC/ CURRENT ma</b>	<b>MODEL NUMBER 115V PRIMARY</b>	<b>MODEL NUMBER 26V PRIMARY</b>	<b>PICO PRICES 1-9* (US \$)</b>
115 ct	3.2 6.5 8.9 14.7 20.9	76852 77852 82765 83765 84765	76928 77928 82930 83930 84930	72.97 72.97 107.76 95.84 99.95
123 ct	8.3 13.7 19.5	82770 83770 84770	82935 83935 84935	107.76 95.84 99.95
138 ct	7.4 12.2 17.4	82775 83775 84775	82940 83940 84940	107.76 95.84 99.95
157 ct	6.5 10.8 15.3	82780 83780 84780	82945 83945 84945	107.76 95.84 99.95
175 ct	5.8 9.6 13.7	82785 83785 84785	82950 83950 84950	107.76 95.84 99.95
200 ct	5.1 8.4 12	82790 83790 84790	82955 83955 84955	107.76 95.84 99.95
220 ct	7.7 10.9	83795 84795	83960 84960	100.71 105.01
250 ct	6.8 9.6	83800 84800	83965 84965	105.49 110.00

275 ct	6.1 8.7	83805 84805	83970 84970	110.73 120.02
310 ct	5.4 7.7	83810 84810	83975 84975	115.13 129.21

### Features

- 400 Hz Aerospace Application.
- Smallest Possible Size.
- Secondary Has Split Winding  
(Secondary can be used at half voltage twice the current.)

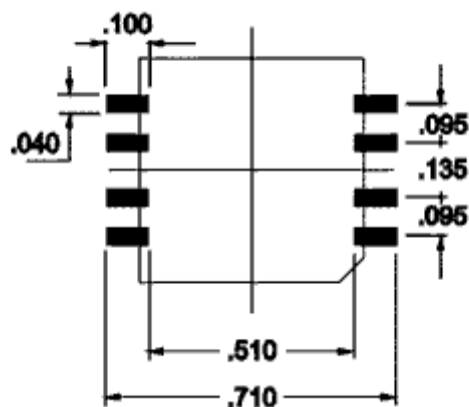


Larger size drawing [1]

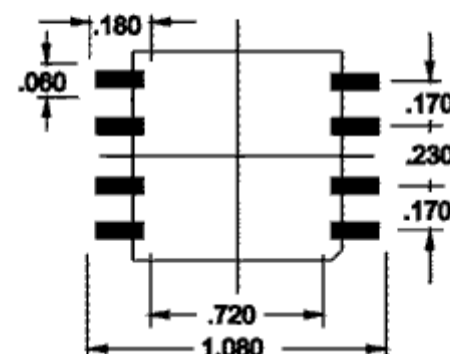
Serial Number	Max. Height	A	B	C	D	E	F	G	I
76000	.415 (10.54)	.550 (13.97)	.095 (2.41)	.135 (3.43)	.010 (.25)	.670 (17.02)	.015 (.38)	.020 (.51)	.060 (1.52)
77000	.565 (14.35)	.550 (13.97)	.095 (2.41)	.135 (3.43)	.010 (.25)	.670 (17.02)	.015 (.38)	.020 (.51)	.060 (1.52)
82000	.455 (11.56)	.800 (20.32)	.170 (4.32)	.230 (5.84)	.014 (.35)	1.000 (25.40)	.025 (.63)	.030 (.76)	.100 (2.54)
83000	.605 (15.37)	.800 (20.32)	.170 (4.32)	.230 (5.84)	.014 (.35)	1.000 (25.40)	.025 (.63)	.030 (.76)	.100 (2.54)
84000	.915 (23.24)	.800 (20.32)	.170 (4.32)	.230 (5.84)	.014 (.35)	1.000 (25.40)	.025 (.63)	.030 (.76)	.100 (2.54)

[Click Here for Thru Hole Version of Ultra Miniature 400 Hz Transformers](#) [2]

### RECOMMENDED LAND PATTERN DIMENSIONS PICO 76000 & 77000 SERIES



### RECOMMENDED LAND PATTERN DIMENSIONS PICO 82000, 83000 & 84000 SERIES.



---

\*Discount Prices:

- 1-9 Net;  
10-24 less 10%;  
25-49 less 16%;  
50-99 less 23%;  
100-499 less 30%

---

Ordering Instructions:

- No minimum.  
Net 30 days F.O.B. Pelham, NY

**Delivery--stock to one week for sample orders.**

---

For immediate engineering assistance or to place an order:

**Call Toll Free: 800-431-1064**

**PICO Electronics, Inc.**

143 Sparks Ave. Pelham, NY 10803-1810

Tel: 914-738-1400 or Fax: 914-738-8225

[Go back to Surface Mount Transformers and Inductors menu<sup>\[3\]</sup>](#)

---