

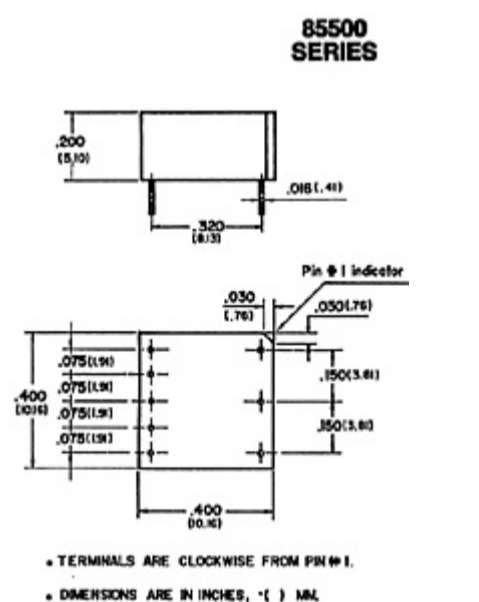
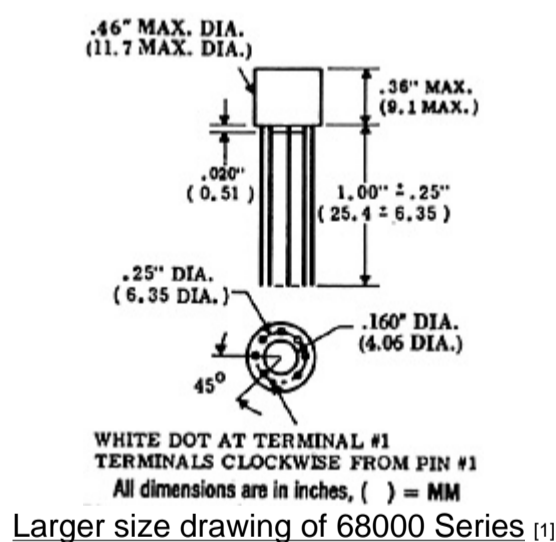
MIL-STD-1553 Interface Transformers Multiplex Data BUS Pulse Transformers

Specifications

- Units manufactured to MIL-PRF-21038 MIL STD 1553.
- **IMPEDANCE:** Greater than 3K ohms over the band from 75kHz to 1MHz.
- **DROOP:** 20% max.
- **OVERSHOOT:** 1V peak.
- **COMMON MODE REJECTION (CMR):** Greater than 45dB.
- **DIELECTRIC STRENGTH:** All units tested at 200 V RMS.
- **INSULATION RESISTANCE:** Greater than 10,000 Megohms at 300 V DC.
- **WEIGHT:** 4 Grams.
- **OPERATING TEMPERATURE:** -55° C to +130° C.
- **TERMINALS:** Solid .012 Diameter Conductor. Solderability per MIL-STD-202, Method 208.

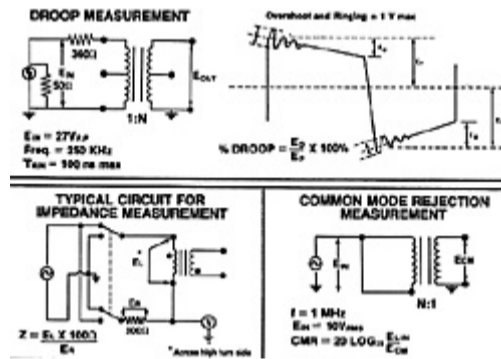
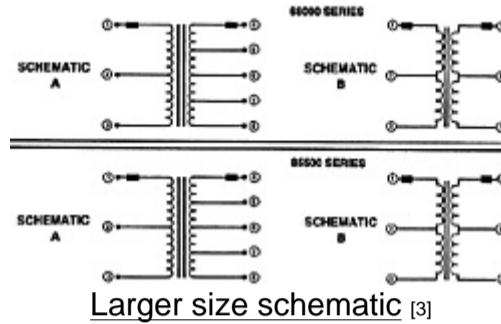
These pulse transformers manufactured to MIL-STD-1553 COMMAND/RESPONSE MULTIPLEX DATA BUS requirements. They also are manufactured to MIL-PRF-21038 specifications and are designed to meet MAC AIR SPECIFICATIONS A3818, A5690, A5232 and A4905.

All of these transformers exhibit superior electrical performance. Common mode rejection ratio is greater than 45dB at 1 MHz. Input impedance is greater than 3000 ohms over the band from 75 kHz to 1 MHz at 1V rms. This series possesses exceptional waveform integrity: Rise time and fall time is less than 100 nanoseconds. Overshoot and ringing is less than ±1V peak. Droop is less than 20%.



PICO PART NUMBER		URNS RATIO	PRIMARY	SECONDARY	% DROOP (Typical)	CMR dB (Typical)	SCHEMATIC	PRICE (1-9)
68000 Series	85500 Series							
68010	85510	1CT : 1CT 1CT : .707CT	1-3 1-3	4-8 5-7	10	50	A	81.67
68020	85520	1.4CT : 1CT 2CT : 1CT	1-3 1-3	4-8 5-7	10	50	A	81.67

68030	85530	1.25CT : 1CT 1.66CT : 1CT	1-3 1-3	4-8 5-7	10	50	A	81.67
68040	85540	2.3CT : 1CT 3.2CT : 1CT	1-3 1-3	4-8 5-7	10	50	A	81.67
68050	85550	1CT : 1CT	1-3	5-7 4-8	10	50	B	67.32
68060	85560	1CT : 1.41CT	1-3	5-7 4-8	10	50	B	67.32
68070	85570	1CT : 1.66CT	1-3	5-7 4-8	10	50	B	67.32
68080	85580	1CT : 2CT	1-3	5-7 4-8	10	50	B	67.32



For immediate engineering assistance or to place an order: **Call Toll Free: 800-431-1064**

PICO Electronics, Inc.

143 Sparks Ave. Pelham, NY 10803-1810
Tel: 914-738-1400 or Fax: 914-738-8225

[Go back to Thru Hole Transformers and Inductors menu \[5\]](#)