

## Series 5AC

### 5 Watt AC-DC Switchers

#### Hi Reliability Hi Efficiency/Isolated Single and Dual Outputs

#### Typical Characteristics

**Test Conditions:** 25 ° C ambient  
**Input Voltage:** 90-130 VAC (47-440 Hz)  
**Line/Load Regulation:** See specifications below  
**Converter Frequency:** 25-35 KHz typ  
**Operating Temperature:** -25° C to +70° C ambient  
**Output Voltage Temperature Coefficient:** 0.02% / ° C  
**Storage Temperature:** -55° C. to +125° C  
**Isolation:** 1200 VRMS  
**Short Circuit Protection:** Continuous

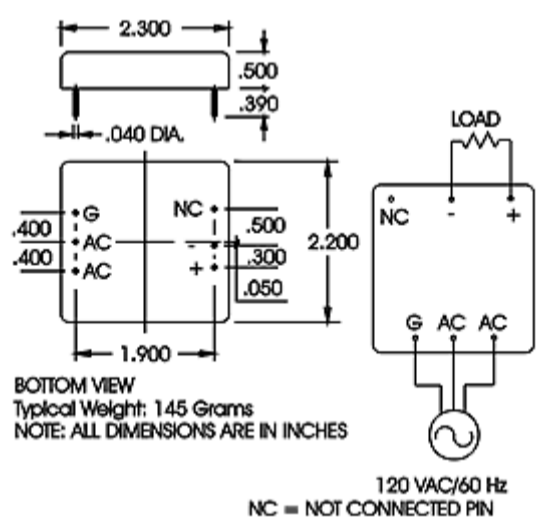
This series of low profile 5 Watt AC to DC switchers come in 7 different models. These units offer high efficiency and precise regulation throughout the operating temperature range of -25° C to +70° C ambient, with no heat sink or electrical derating required. The 5 AC Series keeps a maximum of 0.500" height while still offering you 1200 volts RMS isolation in a rugged encapsulated case. The convenience of PC mounting and the availability of dual outputs should aid your circuit design.

#### Features

- Low profile 0.500"
- Low weight
- Encapsulated semiconductors, conservatively rated for maximum reliability
- Excellent voltage regulation
- Excellent load regulation
- Up to 5 watts output power at 70° C ambient
- Low output ripple
- Isolation: 1200V RMS
- Single and dual outputs
- No heat sink required
- Miniature size
- No output capacitor required
- Shielding

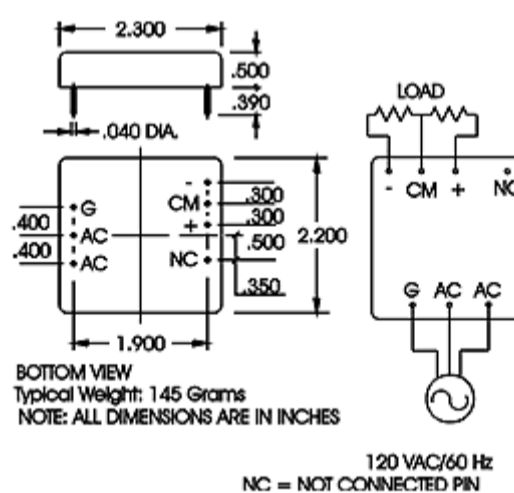
**Low Capacity Option:** All units can be manufactured with isolation capacity of 50pF. Contact factory.

Series 5AC  
Single Output



Larger Size Drawing And Schematic [1]

Series 5AC  
Dual Output



Larger Size Drawing And Schematic [2]

### Series 5AC Single Output Input Voltage 90-130VAC (47-440Hz) (Optional 170-240VAC, 47-440 Hz)\*\*\*

Pico Part No.	Output Voltage (VDC)	Max. Load Current (mA)	Max. Output Power (watts)	EFF @ Full Load Typical (%)*	Output Voltage Ripple @ Full Ld. 1-1 MHz BW mv p-p	Output Voltage Tolerance (± %)*	V LD. Reg. 10%-100% Load ** (± %)*	Line Regulation (± %)	Price (US \$)
5AC5S	5	1000	5	72	50	0.5	0.5	0.2	238.02

5AC12S	12	417	5	75	50	0.5	0.5	0.2	238.02
5AC15S	15	333	5	75	50	0.5	0.5	0.2	238.02
5AC24S	24	208	5	76	50	0.5	0.5	0.2	238.02

\*Readings Taken at 115VAC-60Hz.

\*\*10% minimum load required

\*\*\*All units available with 170-240VAC input. Add H prefix to part number - \$40 per unit cost added.

**Series 5AC Dual Output  
Input Voltage 90-130VAC (47-440Hz)  
(Optional 170-240VAC, 47-440 Hz) \*\*\***

Pico Part No.	Output Voltage (VDC)	Max. Load Current (mA)	Max. Output Power (watts)	EFF @ Full Load Typical (%) <sup>*</sup>	Output Voltage Ripple @ Full Ld. 1-1 MHz BW mv p-p	Output Voltage Tolerance (± %) <sup>*</sup>	V LD. Reg. 10%-100% Load <sup>**</sup> (± %) <sup>*</sup>	Line Regulation (± %)	Price (US \$)
5AC5D	± 5	500	2.5	72	50	0.5	0.5	0.2	269.51
5AC12D	± 12	209	2.5	75	50	0.5	0.5	0.2	269.51
5AC15D	± 15	167	2.5	75	50	0.5	0.5	0.2	269.51

\*Readings Taken at 115VAC-60Hz.

\*\*10% minimum load required

\*\*\*All units available with 170-240VAC input. Add H prefix to part number - \$40 per unit cost added.

**Call Factory For Options Available per MIL-STD-883:**

- Expanded Operating temperature (-55° C to +85° C)
- Stabilization Bake: (125° C ambient)
- Temperature Cycle: -55° C to +125° C
- Hi Temp, Burn in

For immediate engineering assistance or to place an order:

**Call Toll Free: 800-431-1064**

**PICO Electronics, Inc.**

143 Sparks Ave. Pelham, NY 10803-1810

Tel: 914-738-1400 Fax: 914-738-8225