

## Audio Transformers:

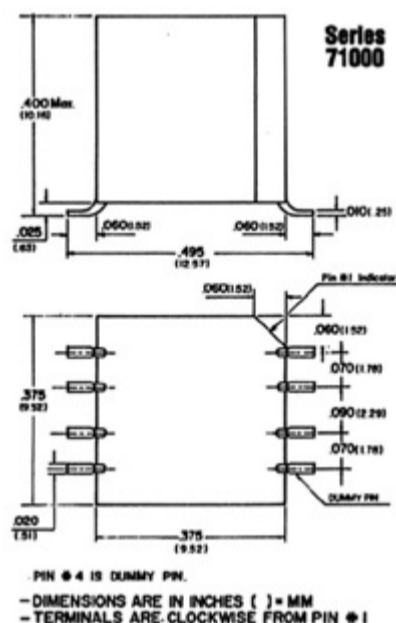
2 Ohm to 40K Ohm; 400Hz to 100KHz; 400 milliwatt at 1KHz

### SURFACE MOUNT

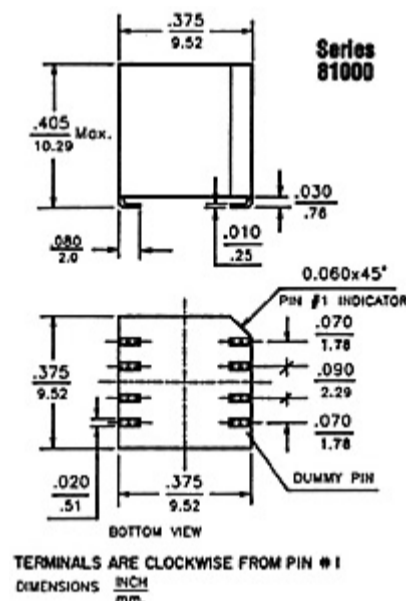
PICO surface mount units utilize materials and methods to withstand extreme temperatures of vapor phase, I.R., and other reflow procedures without degradation of electrical or mechanical characteristics.

### Specifications

- **MIL-PRF-27:** All units manufactured to MIL-PRF-27, Grade 5, Class S.
- **FREQUENCY RESPONSE:**  $\pm 3$ db, 400 Hz-100 KHz at 1.0 Milliwatt.
- **MAXIMUM DISTORTION:** 5% with rated power level at 1 KHz and 400 Hz.
- **DIELECTRIC STRENGTH:** All units tested at 200 V RMS.
- **INSULATION RESISTANCE:** Greater than 10,000 Megohms at 300 V DC.
- **WEIGHT:** 3 Grams
- **TERMINALS:** Solderability per MIL-STD-202, Method 208.
- **THERMAL SHOCK:** 25 Cycles, Method 107, MIL-STD-202, Test Condition -55° C to +130° C.
- **MOISTURE SENSITIVITY LEVEL:** MSL3



Bottom View  
Larger size schematic [1]



Bottom View  
Larger size schematic [2]

## Audio Transformers: 2 Ohm to 40K Ohm; 400Hz to 100KHz; 400 milliwatt at 1KHz

Gull Wing PICO Part Number	J Lead PICO Part Number	Primary Imped Ohms	Secondary Impedance Ohms Split Windings		Power Watts		Primary Unbal DC Current ma	Prim DC Resist Ohms	Secondary DC Resistance Ohms		Turns/Ratio Prim/Sec		Pico Prices 1-9** (US \$)
			SER	PAR	1KHz and higher	400Hz and higher			SER CONN	PAR CONN	SEC SER CONN	SEC PAR CONN	
71003	81003	10ct	10ct	2.5	.4	.075	31.6	1.1	1.3	.33	1:1	2:1	58.23
71005	81005	20ct	8ct	2	.4	.075	22.3	2.2	1	.25	1.58:1	3.16:1	58.23
71010	81010	20ct	20ct	5	.4	.075	22.3	2.2	2.6	.65	1:1	2:1	58.23
71015	81015	32ct	32ct	8	.4	.075	17.6	3.5	4.2	1.05	1:1	2:1	58.23
71020	81020	40ct	40ct	10	.4	.075	15.8	4	4.5	1.2	1:1	2:1	58.23



71300	81300	1500ct	12ct	3	.4	.075	2.6	150	1.5	.38	11.2:1	22.4:1	58.23
71305	81305	1500ct	500ct	125	.4	.075	2.6	150	60	15	1.73:1	3.46:1	64.40
71310	81310	*1500ct	600ct	-	.4	.075	2.6	150	72	-	1.58:1	-	64.42
71315	81315	*1500ct	1500ct	-	.4	.075	2.6	150	180	-	1:1	-	64.42
71320	81320	1600ct	12.8ct	3.2	.4	.075	2.5	160	1.5	.38	11.2:1	22.4:1	58.23
<b>Summary Headers</b>													
Gull Wing PICO Part Number	J Lead PICO Part Number	Primary Imped Ohms	Secondary Impedance Ohms Split Windings		Power Watts		Primary Unbal DC Current ma	Prim DC Resist Ohms	Secondary DC Resistance Ohms		Turns/Ratio Prim/Sec		Pico Prices 1-9** (US \$)
			SER	PAR	1KHz and higher	400Hz and higher			SER CONN	PAR CONN	SEC SER CONN	SEC PAR CONN	
71325	81325	2000ct	8ct	2	.4	.075	2.2	200	1	.25	15.8:1	31.6:1	76.00
71330	81330	2000ct	2000ct	500	.4	.075	2.2	200	240	60	1:1	2:1	76.00
71335	81335	*2000ct	2000ct	-	.4	.075	2.2	200	240	-	1:1	-	87.18
71340	81340	2000ct	8000ct	2000	.4	.075	2.2	200	960	240	1:2	1:1	76.00
71345	81345	2500ct	2500ct	625	.4	.075	2	250	300	75	1:1	2:1	76.00
71350	81350	3000ct	3000ct	725	.4	.075	1.8	300	360	90	1:1	2:1	61.83
71355	81355	*3000ct	3000ct	-	.4	.075	1.8	300	360	-	1:1	-	84.18
71360	81360	3600ct	3600ct	900	.4	.075	1.7	360	432	108	1:1	2:1	61.83
71365	81365	4000ct	16ct	4	.4	.075	1.6	400	1.9	.47	15.8:1	31.6:1	76.00
71370	81370	4000ct	600ct	150	.4	.075	1.6	400	72	18	2.58:1	5.16:1	76.00
71375	81375	4000ct	1000ct	250	.4	.075	1.6	400	120	30	2:1	4:1	84.18
71380	81380	*4000ct	8000ct	-	.4	.075	1.6	400	960	-	1:1.41	-	84.18
71385	81385	5000ct	500ct	125	.4	.075	1.4	500	60	15	3.16:1	6.32:1	64.42
71390	81390	5000ct	5000ct	1250	.4	.075	1.4	500	600	150	1:1	2:1	64.42
71395	81395	7500ct	50ct	12.5	.33	.075	1.2	750	6	1.5	12.2:1	24.5:1	64.42
71400	81400	7500ct	100ct	25	.33	.075	1.2	750	12	3	8.66:1	17.3:1	64.42
71405	81405	7500ct	600ct	150	.33	.075	1.2	750	72	18	3.54:1	7.07	71.71
71410	81410	7500ct	2500ct	625	.33	.075	1.2	750	300	75	1.73:1	3.46:1	71.71
71415	81415	*7500ct	7500ct	-	.33	.075	1.2	750	900	-	1:1	-	84.18
71420	81420	8000ct	12.8ct	3.2	.3	.075	1.1	800	1.5	.38	25:1	50:1	64.42
71425	81425	8000ct	1000ct	250	.3	.075	1.1	800	120	30	2.83:1	5.66:1	71.71
71430	81430	*8000ct	1200ct	-	.3	.075	1.1	800	144	-	2.58:1	-	84.18
71435	81435	*9000ct	9000ct	-	.27	.075	1.1	900	1080	-	1:1	-	84.18
71440	81440	10,000ct	12.8ct	3.2	.25	.075	1.0	1000	1.5	.38	28:1	56:1	58.23
71445	81445	10,000ct	16ct	4	.25	.075	1.0	1000	1.92	.48	25:1	50:1	58.23
71450	81450	10,000ct	100ct	25	.25	.075	1.0	1000	12	3	10:1	20:1	64.42
71455	81455	10,000ct	200ct	50	.25	.075	1.0	1000	24	6	7.07:1	14.14:1	64.42
71460	81460	10,000ct	500ct	125	.25	.075	1.0	1000	60	15	4.47:1	8.94:1	64.42
71465	81465	10,000ct	600ct	150	.25	.075	1.0	1000	72	18	4.08:1	8.16:1	64.42
71470	81470	10,000ct	1000ct	250	.25	.075	1.0	1000	120	30	3.16:1	6.32:1	64.42
71475	81475	10,000ct	1200ct	300	.25	.075	1.0	1000	144	36	2.89:1	5.77:1	76.00
71480	81480	10,000ct	1500ct	375	.25	.075	1.0	1000	180	45	2.58:1	5.16:1	76.00
71485	81485	10,000ct	2000ct	500	.25	.075	1.0	1000	240	60	2.24:1	4.47:1	74.48
71490	81490	10,000ct	5000ct	1250	.25	.075	1.0	1000	600	150	1.41:1	2.83:1	75.76
71495	81495	10,000ct	7500ct	1875	.25	.075	1.0	1000	900	225	1.15:1	2.3:1	76.00
71500	81500	10,000ct	10,000ct	2500	.25	.075	1.0	1000	1200	300	1:1	2:1	73.27
71505	81505	*10,000ct	10,000ct	-	.25	.075	1.0	1000	1200	-	1:1	-	84.18
71510	81510	15,000ct	400ct	100	.16	.075	.82	1500	48	12	6.12:1	12.24:1	73.27
71515	81515	15,000ct	500ct	125	.16	.075	.82	1500	60	15	5.48:1	10.95:1	73.27
71520	81520	15,000ct	600ct	150	.16	.075	.82	1500	72	18	5:1	10:1	73.27
71525	81525	15,000ct	10,000ct	2500	.16	.075	.82	1500	1200	300	1.22:1	2.45:1	73.27
71530	81530	*15,000ct	15,000ct	-	.16	.075	.82	1500	1800	-	1:1	-	84.18
71535	81535	15,000ct	15,000ct	3750	.16	.075	.82	1500	1800	450	1:1	2:1	76.00
71540	81540	16,000ct	1000ct	250	.15	.075	.8	1600	120	30	4:1	8:1	76.00
71545	81545	20,000ct	500ct	125	.125	.075	.7	2000	60	15	6.33:1	12.65:1	70.15
71550	81550	20,000ct	600ct	150	.125	.075	.7	2000	72	18	5.77:1	11.55:1	70.15
71555	81555	20,000ct	800ct	200	.125	.075	.7	2000	96	24	5:1	10:1	67.06
71560	81560	20,000ct	1000ct	250	.125	.075	.7	2000	120	30	4.47:1	8.94:1	84.18
71565	81565	20,000ct	5000ct	1250	.125	.075	.7	2000	600	150	2:1	4:1	73.27
71570	81570	20,000ct	10,000ct	2500	.125	.075	.7	2000	1200	300	1.41:1	2.83:1	73.27

Gull Wing PICO Part Number	J Lead PICO Part Number	Primary Imped Ohms	Secondary Impedance Ohms Split Windings		Power Watts		Primary Unbal DC Current ma	Prim DC Resist Ohms	Secondary DC Resistance Ohms		Turns/Ratio Prim/Sec		Pico Prices 1-9** (US \$)
			SER	PAR	1KHz and higher	400Hz and higher			SER CONN	PAR CONN	SEC SER CONN	SEC PAR CONN	
71575	81575	*20,000ct	20,000ct	-	.125	.075	.7	2000	2400	-	1:1	-	84.18
71580	81580	25,000ct	500ct	125	.1	.075	.63	2500	60	15	7.07:1	14.14:1	76.00
71585	81585	25,000ct	1000ct	250	.1	.075	.63	2500	120	30	5:1	10:1	76.00
71590	81590	30,000ct	50ct	12.5	.083	.075	.58	3000	6	1.5	24.5:1	49:1	76.00
71595	81595	30,000ct	1200ct	300	.083	.075	.58	3000	144	36	5:1	10:1	76.00
71600	81600	30,000ct	500ct	125	.083	.075	.58	3000	60	15	7.75:1	15.5:1	76.00
71605	81605	30,000ct	200ct	50	.083	.075	.58	3000	24	6	12.25:1	24.5:1	76.00
71610	81610	30,000ct	5000ct	1250	.083	.075	.58	3000	600	150	2.45:1	4.9:1	76.00
71615	81615	30,000ct	10,000ct	2500	.083	.075	.58	3000	1200	300	1.73:1	3.46:1	76.00
71620	81620	*30,000ct	30,000ct	-	.083	.075	.58	3000	3600	-	1:1	-	82.72
71625	81625	40,000ct	400ct	100	.062	.062	.5	4000	48	12	10:1	20:1	82.72

\* INCLUDES ELECTROSTATIC SHIELD

## INDUCTORS

All Inductors have split windings and measurements are listed for both series and parallel connections. Two values of inductance, each at a particular value of D.C. current, are listed for each inductor.

Pico Part Number	Pico Part Number	Inductance Series		DC CURRENT	DC Resistance	Prices 1-9** (US \$)
71705	81705	Series	0.1 .08	4 10	25	58.23
		Parallel	.025 .02	8 20	6.5	
71710	81710	Series	.09 .05	2 6	105	58.23
		Parallel	.23 .13	4 12	26	
71715	81715	Series	2.5 0.9	2 4	630	58.23
		Parallel	0.6 0.23	4 8	160	
71720	81720	Series	4.5 1.2	2 4	2300	61.83
		Parallel	1.1 0.3	4 8	575	

\*\*Discount Prices:

- 1-9 Net;
- 10-24 less 10%;
- 25-49 less 16%;
- 50-99 less 23%;
- 100-499 less 30%

Ordering Instructions:

No minimum.

Net 30 days F.O.B. Pelham, NY

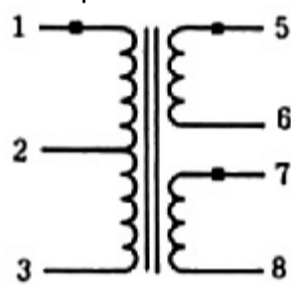
**Delivery--stock to one week for sample orders.**

**FEATURES:**

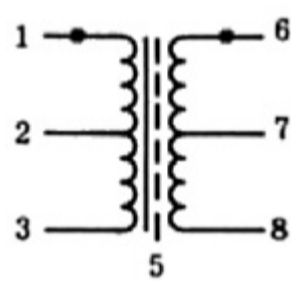
- Extreme resistance to thermal shock
- Ultra Miniature size
- PICO is approved QPL source (MIL-PRF-27)
- Magnetic shield design available
- Electrostatic shielding can be added
- Variation of standard designs available
- Every unit in this catalog can be made with a 300 thermal cycle guarantee using PICO's special SR construction. Contact factory for details.

**Schematics**

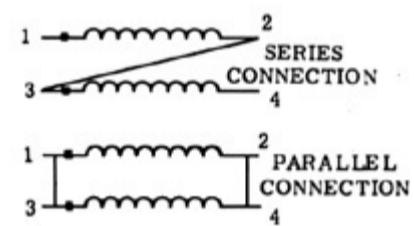
Schematics for Transformers with Split Secondaries



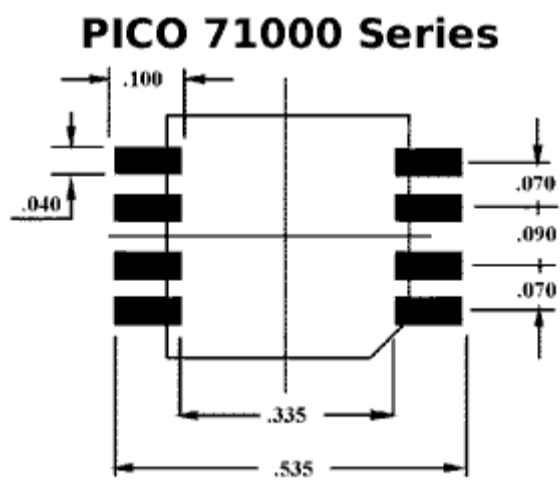
Schematics for Transformers with Electrostatic Shield



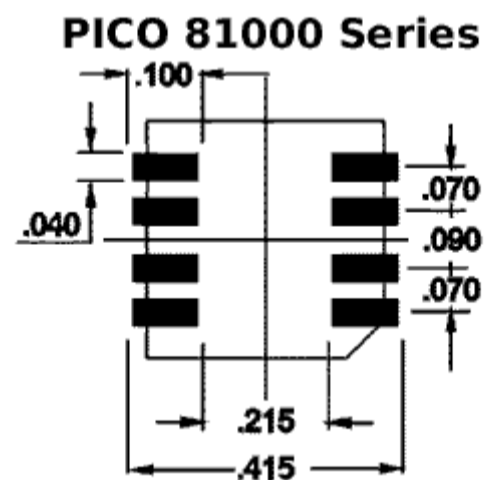
Schematics for Inductors



**RECOMMENDED LAND PATTERN DIMENSIONS**



**RECOMMENDED LAND PATTERN DIMENSIONS**



[Click Here for Thru Hole Version of the 71000 and 81000 Series](#) [3]

For immediate engineering assistance or to place an order:

**Call Toll Free: 800-431-1064**

**PICO Electronics, Inc.**

143 Sparks Ave. Pelham, NY 10803-1810

Tel: 914-738-1400 or Fax: 914-738-8225

