

Series DC2B

HIGH POWER DC-DC CONVERTER
Hi Input Voltage Range: 700 - 1200 VDC
Output Voltages: 5 VDC to 300 VDC Standard
Hi Reliability Isolated Regulated
Fixed Operating Frequency: 100Khz
DC-DC Converter to 300 Watts

INPUT VOLTAGE: 700 - 1200 VDC (Input is reverse polarity protected.)
 Special Output Voltages Available: Consult Factory
 Regulated Output Voltage: 5 VDC to 300 VDC Standard
 Fully Encapsulated
 Made in USA

TYPICAL FEATURES/ELECTRICAL CHARACTERISTICS

Input Voltage: 700 - 1200 Vdc

Output Power: 150 to 300 watts (See Chart)

Output Voltage Ripple: 75-500 mV (See Chart)

Operating Temperature: 0°C to 85°C case temperature. See application notes for proper thermal considerations. Available with -20°C and -40°C operating temperature range - Consult Factory

Isolation:

From Input to DC Output: 4242 VDC

From Input or DC Output to Case: 2121VDC

Current Limit Setpoint: 130% of full load rating (Typical)

Overtemperature Shutdown

Operating Frequency: 100 Khz Fixed

UNDERVOLTAGE SETPOINT IS 670VDC (TYP)

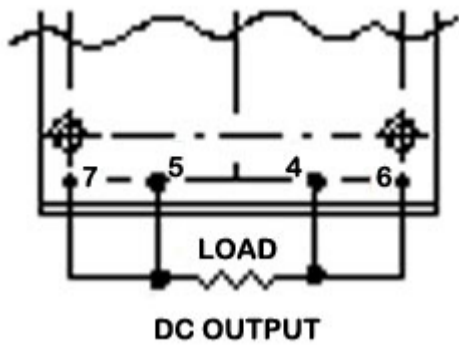
OVERVOLTAGE SETPOINT IS 1230VDC (TYP)



Weight: 340 Grams Typical
 All dimensions are in Inches
 NOTE: The torque for mounting screws must be 6 to 9 In-Lbs.



Weight: 340 Grams Typical
 All dimensions are in Inches
 NOTE: The torque for mounting screws must be 6 to 9 In-Lbs.



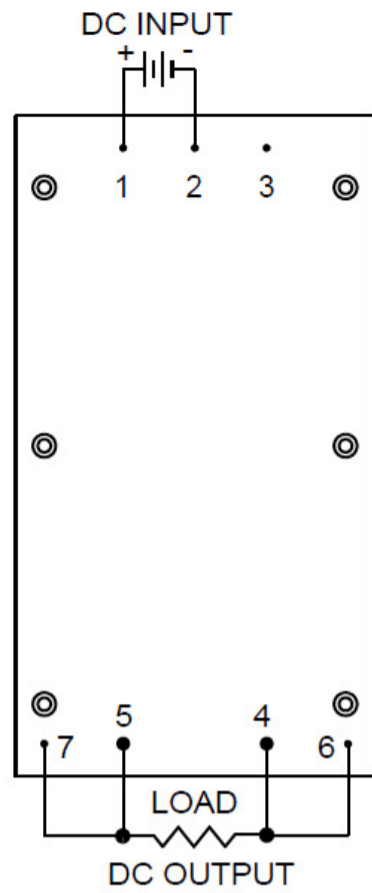
Note: Pins 6 and 7 are for models with output voltages up to and including 48 Volts. They are not on the higher voltage models (greater than 48 Volts)

PIN NO.	FUNCTION
1	DC IN +
2	DC IN -
3	No Connection
4	-V Out
5	+ V Out
6	- Sense (See Note)
7	+ Sense (See Note)

Pico Part No.	Output Voltage VDC	Max. Load Current (A) **	Max. Output Power (watts) **	EFF @ Full Load (%) [*]	Output Ripple Full Load 1-1 MHz BW mv p-p [*]	Output Voltage Tolerance (±%) [*]	V Ld. Reg 10-100% Load (±%) [*]	Line Regulation (±%) [*]	Price (US \$)
DC2B-5S	5	30	150	76	100	1.0	1.5	0.2	245.75
DC2B-9S	9	27.8	250	78	100	1.0	1.5	0.2	245.75
DC2B-12S	12	25	300	80	150	0.5	1.5	0.2	245.75
DC2B-15S	15	20	300	80	150	0.5	1.5	0.2	245.75
DC2B-24S	24	12.5	300	81	250	0.5	1.0	0.2	245.75
DC2B-28S	28	10.71	300	82	300	0.5	1.0	0.2	245.75
DC2B-48S	48	6.25	300	82	500	0.5	1.0	0.2	296.10
DC2B-100S	100	2.50	250	85	250	1.0	1.0	0.2	338.61
DC2B-125S	125	2.00	250	85	250	1.0	1.0	0.2	338.61
DC2B-150S	150	1.67	250	85	350	1.0	1.0	0.2	338.61
DC2B-175S	175	1.43	250	85	350	1.0	1.0	0.2	338.61
DC2B-200S	200	1.25	250	85	400	1.0	1.0	0.2	423.27
DC2B-225S	225	1.11	250	85	400	1.0	1.0	0.2	423.27
DC2B-250S	250	1.00	250	85	500	1.0	1.0	0.2	423.27
DC2B-275S	275	0.91	250	85	500	1.0	1.0	0.2	423.27
DC2B-300S	300	0.83	250	85	500	1.0	1.0	0.2	423.27

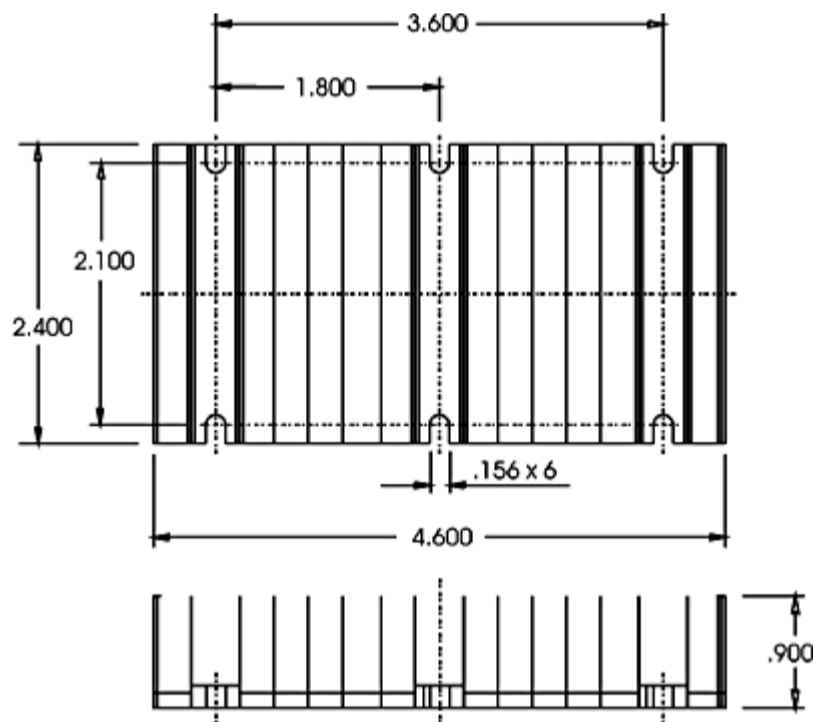
* All specifications are typical at nominal (900Vdc) input, full load and 25°C baseplate temperature unless otherwise stated.

** Using proper thermal considerations as outlined in the application notes.



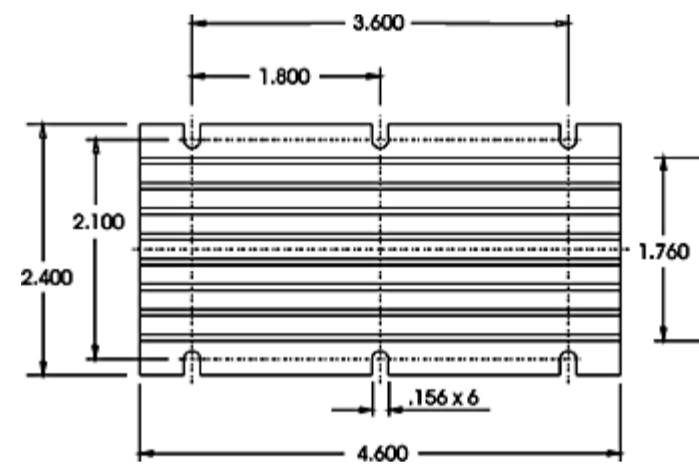
Notes: Pins 6 and 7 for remote sense, not on models with $V_{out} > 48 V$

CH HEATSINK



All dimensions are in inches ()=mm
Approx. weight = 145 grams

CV HEATSINK



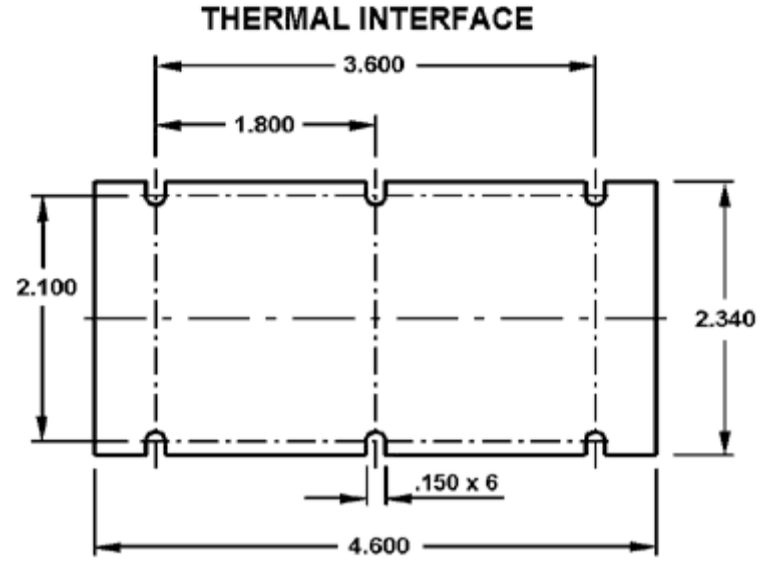
NOTE: Additional Heatsink options, consult for details
Approx. Weight = 145 grams

TYPE CH	\$24.00
TYPE CV	\$24.00
TYPE TI	\$3.00

THERMAL INTERFACE PART TI

Alloy Aluminum Substrate

Thermal Conductivity, (BTU-in/hr ft² °F) ----1530
 Coefficient of Thermal Expansion (25-100°C, 10⁻⁶ in./in. °F ---13.1
 Hardness, Brinnell B ----23
 Endurance Limit, psi. ----5000
 Standard Thickness (inches) ---.002



Thermal Considerations

DC2B Series			
	Baseplate	Heatsink CV	Heatsink CH
Free Air	4.8	3.3	2.8
200 LFM	2.6	1.6	0.9
400 LFM	1.6	1.0	0.6
600 LFM	1.3	0.7	0.5
800 LFM	1.1	0.6	0.4
1000 LFM	0.9	0.5	0.35

EXAMPLE 1:

An DC2B-24S module has an efficiency of 81%. What is the maximum ambient temperature if 100 Watts of power is needed?

A) In free air:

From Table 1: $T_{rca} = 4.8$

Using relation (2)

$$\Delta T = 4.8 (100) \left[\frac{1}{.81} - 1 \right] = 112.6^{\circ}\text{C}$$

$$T_a = 85 - 112.6 = -27^{\circ}\text{C}$$

B) In free air with heatsink (CV):

$T_{rca} = 3.3$

$$\Delta T = 3.3 (100) \left[\frac{1}{.81} - 1 \right] = 77.4^{\circ}\text{C}$$

$$T_a = 85 - 77.4 = 7.6^{\circ}\text{C}$$

C) With 400 LFM of air flow:

$T_{rca} = 1.6$

$$\Delta T = 1.6 (100) \left[\frac{1}{.81} - 1 \right] = 37.5^{\circ}\text{C}$$

$$T_a = 85 - 37.5 = 47.5^{\circ}\text{C}$$

EXAMPLE 2:

What would be the maximum output power for an DC2B-24S module at an ambient temperature of 50°C with an efficiency of 81%?

A) If the module is used in free air.

From Table 1: $T_{rca} = 4.8$

Using Relation (2):

$$85 - 50 = 4.8 P_{out} \left[\frac{1}{.81} - 1 \right]$$

$$P_{out} = \frac{35}{4.8 [2.3]} = 31.1 \text{ Watts}$$

B) If the module is used in an area with forced air at 200 LFM with no heatsink.

$T_{rca} = 2.6$

$$P_{out} = \frac{35}{2.6 [2.3]} = 58.5 \text{ Watts}$$

C) If the module with heatsink (CV) is used in free air.

$T_{rca} = 3.3$

$$P_{out} = \frac{35}{3.3 [2.3]} = 46.1 \text{ Watts}$$

EXAMPLE 3:

At a maximum ambient temperature of 50°C and an efficiency of 81%, how could an DC2B-24S module be used if 200 Watts of output power is required?

Using relation (2), we first find the maximum thermal resistance from case to air.

$$\Delta T = T_{rca} (200) \left[\frac{1}{.81} - 1 \right]$$

$$85 - 50 = T_{rca} (46)$$

$$T_{rca} = .76$$

A) If no heatsink is used:

From Table 1, more than 1,000 LFM of airflow is required.

B) If a (CV) heatsink is used:

600 LFM of airflow is required.

C) If a (CH) heatsink is used:

400 LFM of airflow is required.

APPLICATION NOTES

Remote Sense terminals (only on models with output voltages of 48V and below):

Remote Sense terminals must be connected for the unit to operate properly. When connected in local sense (+S connected to +V output terminal and -S connected to -V output terminal), the output voltage is regulated at the output terminals.

If your load is connected more than a few inches away from the unit and you want to regulate the output voltage ON the load, remote sense is required. This means connecting the +S connection at the end of the +V wire (at the load), and the -S connection at the end of the -V wire (at the load). Since the load wires have current flowing through them and they have a certain resistance, there will be a voltage drop in them so that the output voltage at the load will be lower than the output voltage of the unit. Remote sense will prevent this by compensating for up to 1V of drop in the load wires. This means the output voltage of the unit will be up to 1V higher than the nominal value, so that at the load, the voltage will be the nominal value.

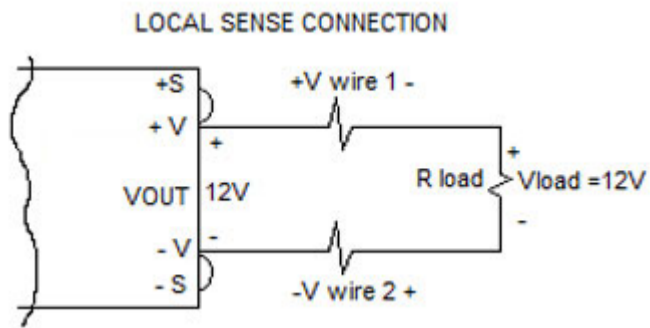
Example of local and remote sense connections, using the DC2B-12S with a 0.2V drop in the wires connecting the +V and -V output terminals to the load.

V_{out} = Voltage on the output voltage terminals of the unit.

V_{load} = Voltage on the load where the wires are connected.

$V_{out} = V_{load} + V_{wire1} + V_{wire2}$

So, $V_{load} = V_{out} - V_{wire1} - V_{wire2}$

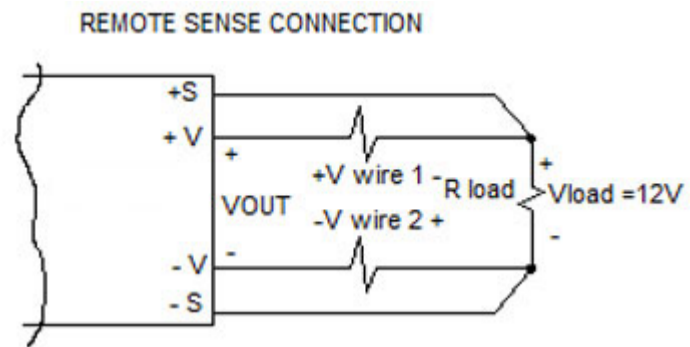


With local sense, Vout is regulated at 12V

So, $V_{out} = 12V$

$V_{load} = V_{out} - V_{wire1} - V_{wire2}$

$V_{load} = 12V - .2V - .2V$



With remote sense, Vload is regulated at 12V

So, $V_{load} = 12V$

$V_{out} = V_{load} + V_{wire} + V_{wire2}$

$V_{out} = 12V + .2V + .2V = 12.4\text{ Volts}$

The voltage drops in the wires connecting the +V and -V output terminals of the unit and the load depend on the size of the wire (or pcbboard trace) and the current flowing through them.

For immediate engineering assistance or to place an order:

Call Toll Free: 800-431-1064

PICO Electronics, Inc.

143 Sparks Ave. Pelham, NY 10803-1810

Tel: 914-738-1400

Fax: 914-738-8225