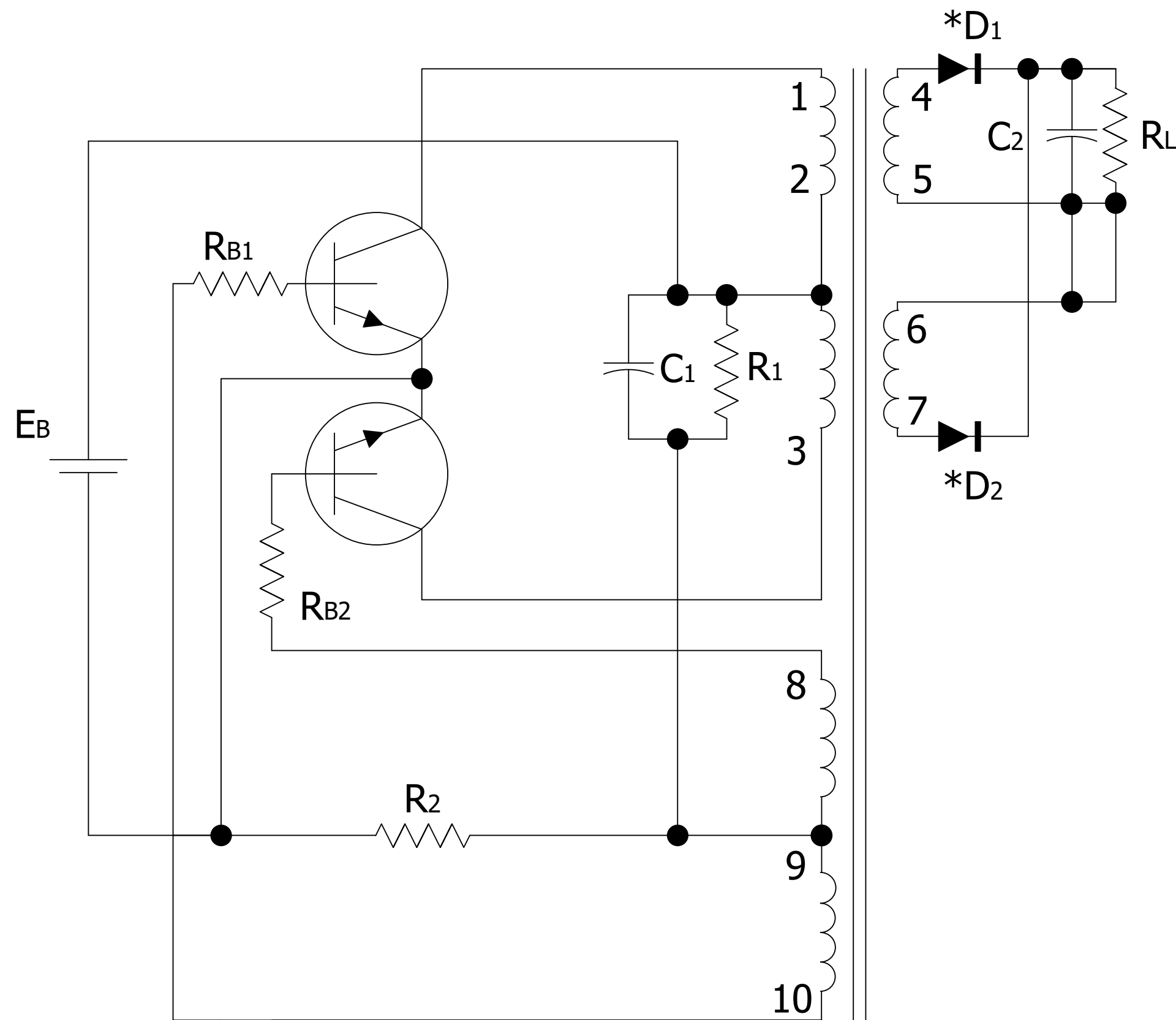


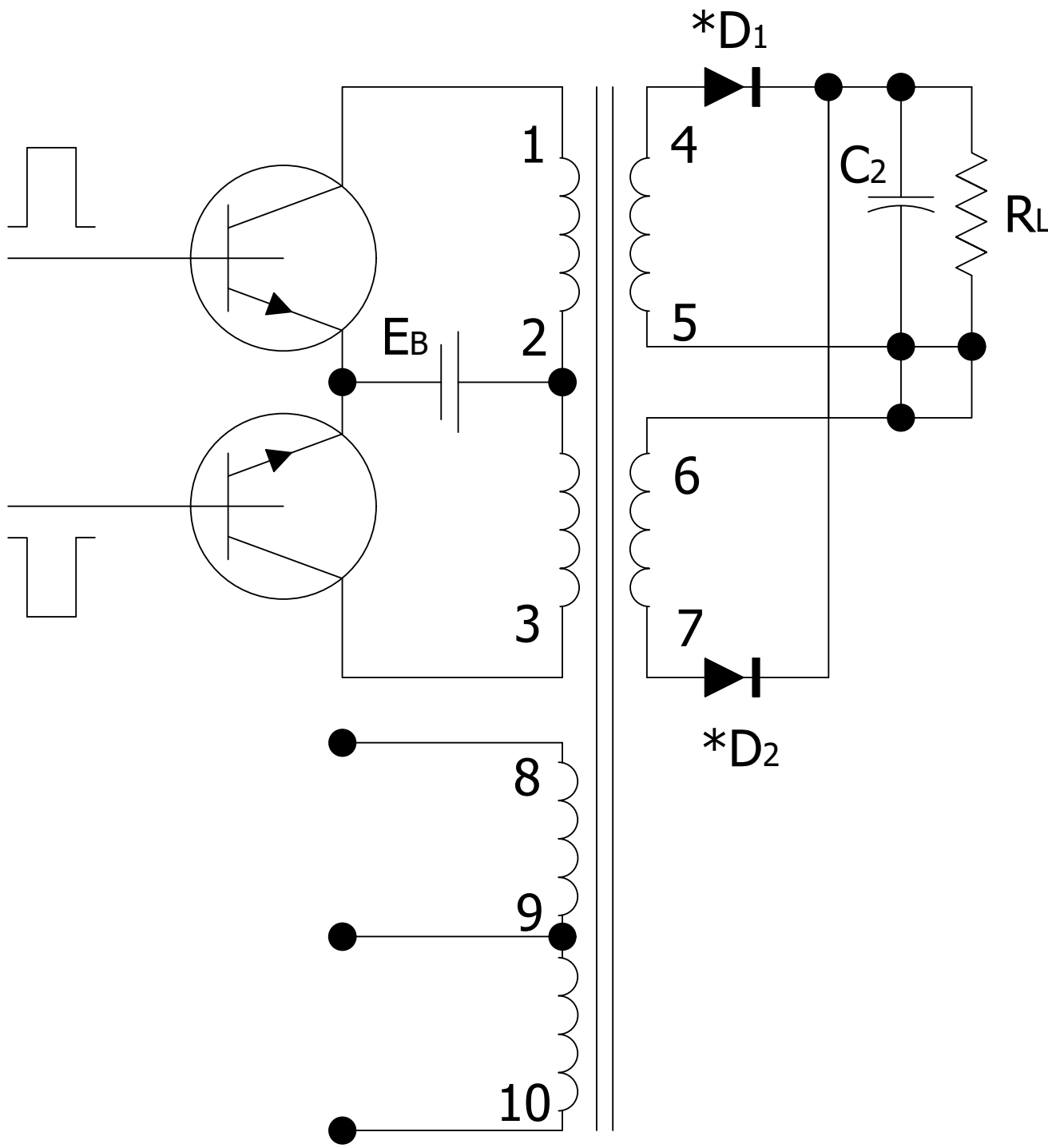
**SCHEMATIC USING TRANSFORMERS
AS SELF-SATURATING [31000 SERIES]**



SCHOTTKY OR FAST-SWITCHING DIODES USED

DRAWN	P.PALUCH	PICO Electronics	143 Sparks Ave Village of Pelham, NY 10803	
CHECKED	H. VIDAURRE			
QA		31000 SERIES		
MFG				
APPROVED		SIZE	DWG NO	REV
REVISION DATE	06/06/2023	C		1
		SCALE	NTS	www.picoelectronics.com

**SCHEMATIC USING TRANSFORMERS
AS LINEAR SWITCHING [31000 SERIES]**



SCHOTTKY OR FAST-SWITCHING DIODES USED

DRAWN	P.PALUCH	PICO Electronics	143 Sparks Ave Village of Pelham, NY 10803	
CHECKED	H. VIDAURRE			
QA		31000 SERIES		
MFG				
APPROVED		SIZE	DWG NO	REV
REVISION DATE	06/06/2023	C		1
		SCALE NTS	www.picoelectronics.com	

4

3

2

1

D

D

C

C

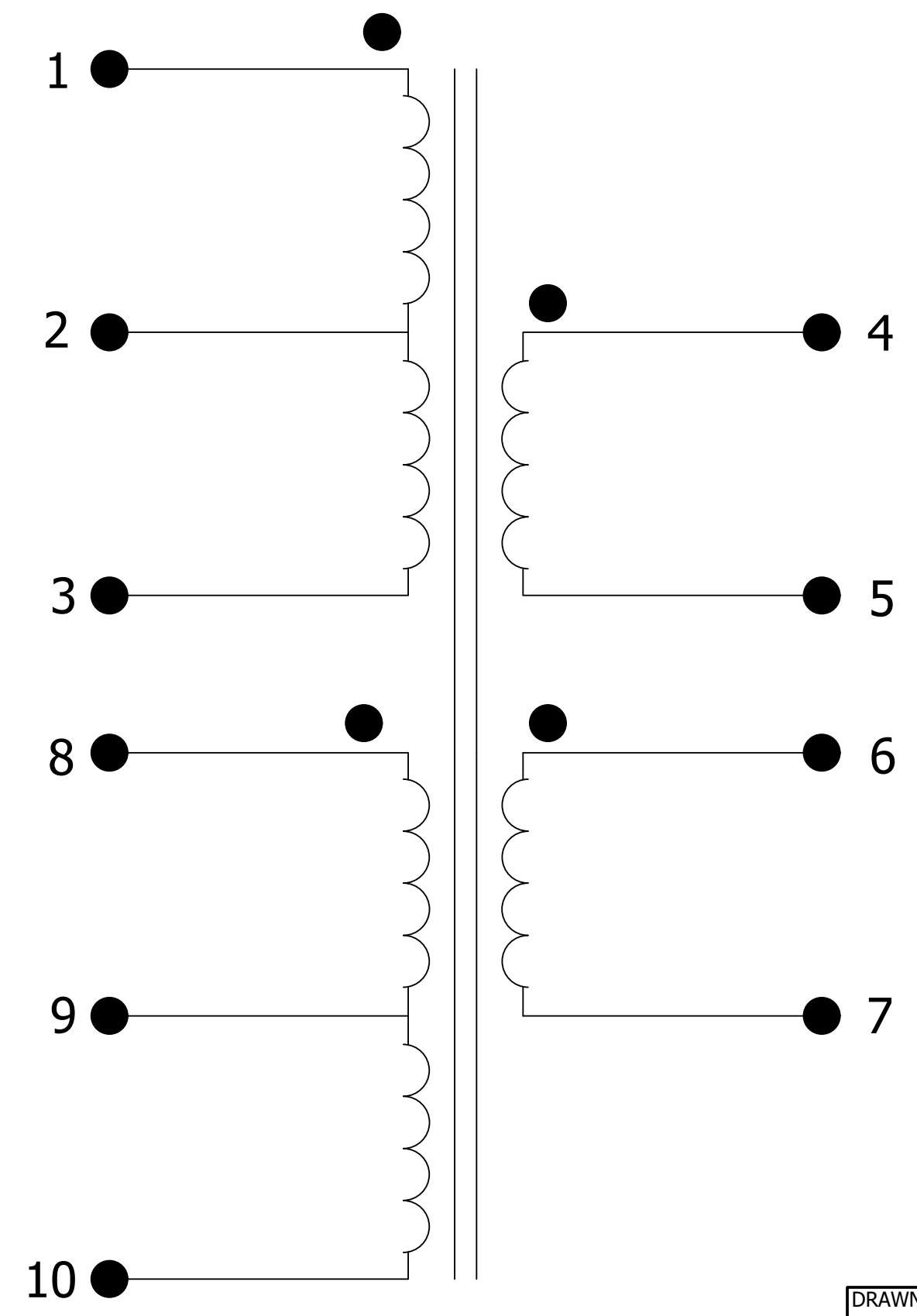
B

B

A

A

WIRING DIAGRAM



1-2-3 INPUT [PRIMARY VOLTAGE]
 4-5-6-7 OUTPUT [SECONDARY VOLTAGE]
 8-9-10 BIAS WINDING

SCHOTTKY OR FAST-SWITCHING DIODES USED

DRAWN	P.PALUCH	PICO	143 Sparks Ave	
CHECKED	H. VIDAURRE		Village of Pelham, NY 10803	
QA		Electronics		
MFG		31000 SERIES		
APPROVED				
REVISION DATE	06/06/2023	SIZE C	DWG NO	REV 1
		SCALE NTS	www.picoelectronics.com	

4

3

2

1