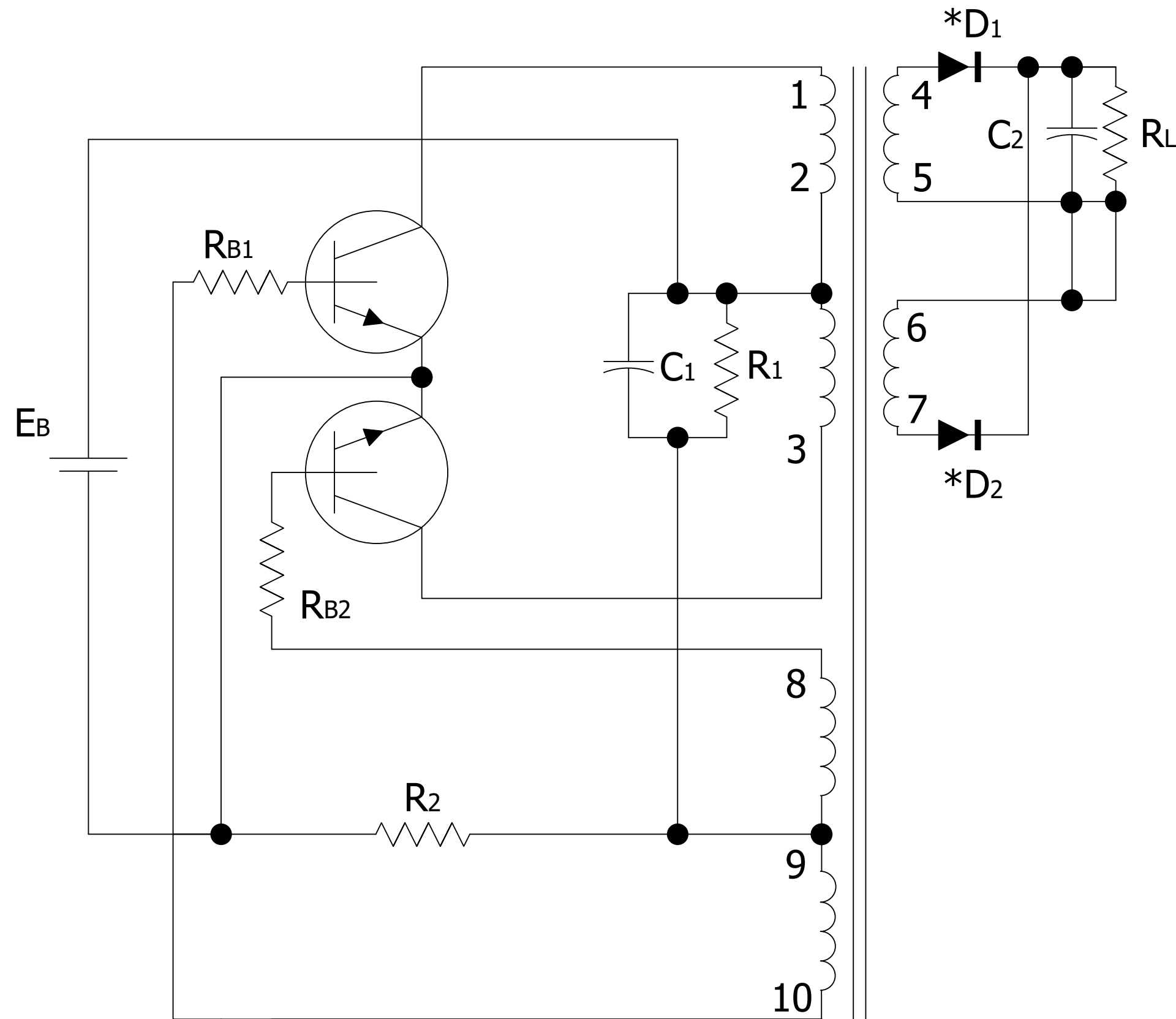


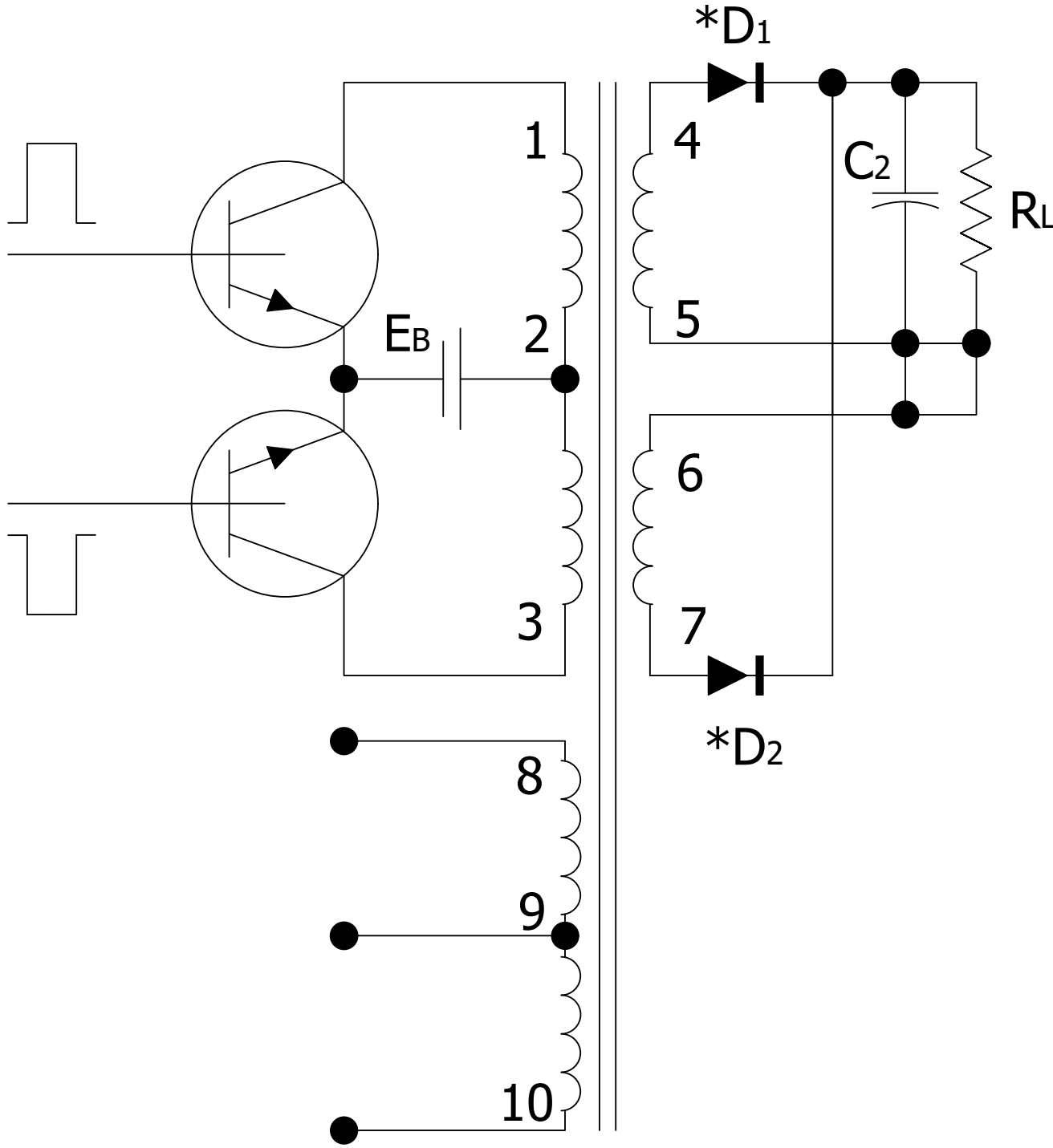
**SCHEMATIC USING TRANSFORMERS
AS SELF-SATURATING [32000 SERIES]**



SCOTTKY OR FAST-SWITCHING DIODES USED

DRAWN	P.PALUCH	PICO Electronics	143 Sparks Ave Village of Pelham, NY 10803		
CHECKED	H. VIDAURRE				
QA		32000 SERIES			
MFG					
APPROVED		SIZE	DWG NO	REV	
REVISION DATE	06/06/2023	C		1	
		SCALE	NTS	www.picoelectronics.com	

**SCHEMATIC USING TRANSFORMERS
AS LINEAR SWITCHING [32000 SERIES]**



SCHOTTKY OR FAST-SWITCHING DIODES USED

DRAWN	P.PALUCH	PICO 143 Sparks Ave Village of Pelham, NY 10803 Electronics		
CHECKED	H. VIDAURRE			
QA		32000 SERIES		
MFG				
APPROVED		SIZE	DWG NO	REV
REVISION DATE	06/06/2023	C		1
		SCALE NTS	www.picoelectronics.com	

4

3

2

1

1

D

D

C

C

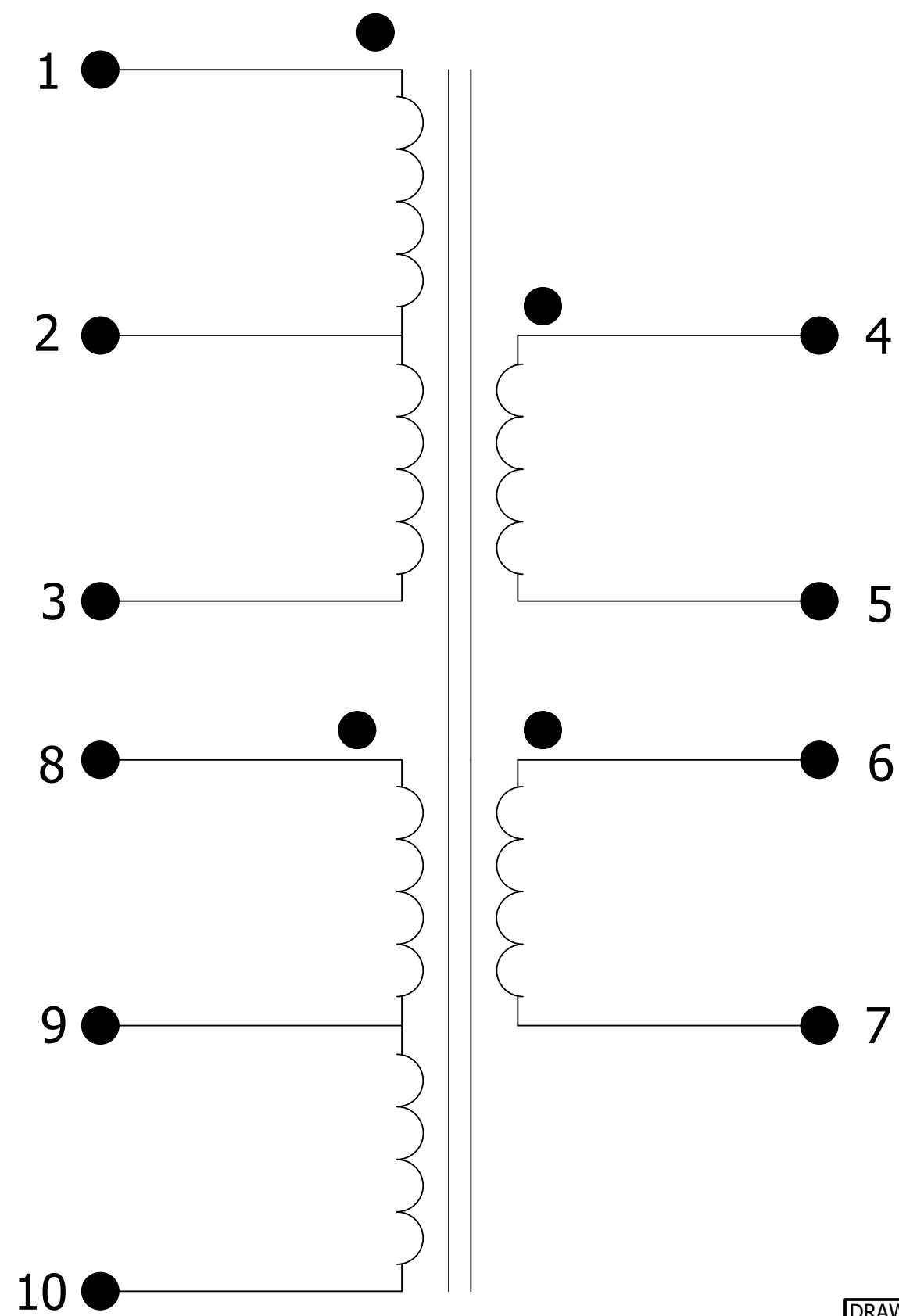
B

B

A

A

WIRING DIAGRAM



1-2-3 INPUT [PRIMARY VOLTAGE]
 4-5-6-7 OUTPUT [SECONDARY VOLTAGE]
 8-9-10 BIAS WINDING

SCHOTTKY OR FAST-SWITCHING DIODES USED

DRAWN	P.PALUCH	PICO 143 Sparks Ave Village of Pelham, NY 10803		
CHECKED	H. VIDAURRE			
QA		Electronics		
MFG				
APPROVED		32000 SERIES		
REVISION DATE	06/06/2023			
		SIZE C	DWG NO	REV 1
		SCALE NTS	www.picoelectronics.com	

4

3

4

2

1

1