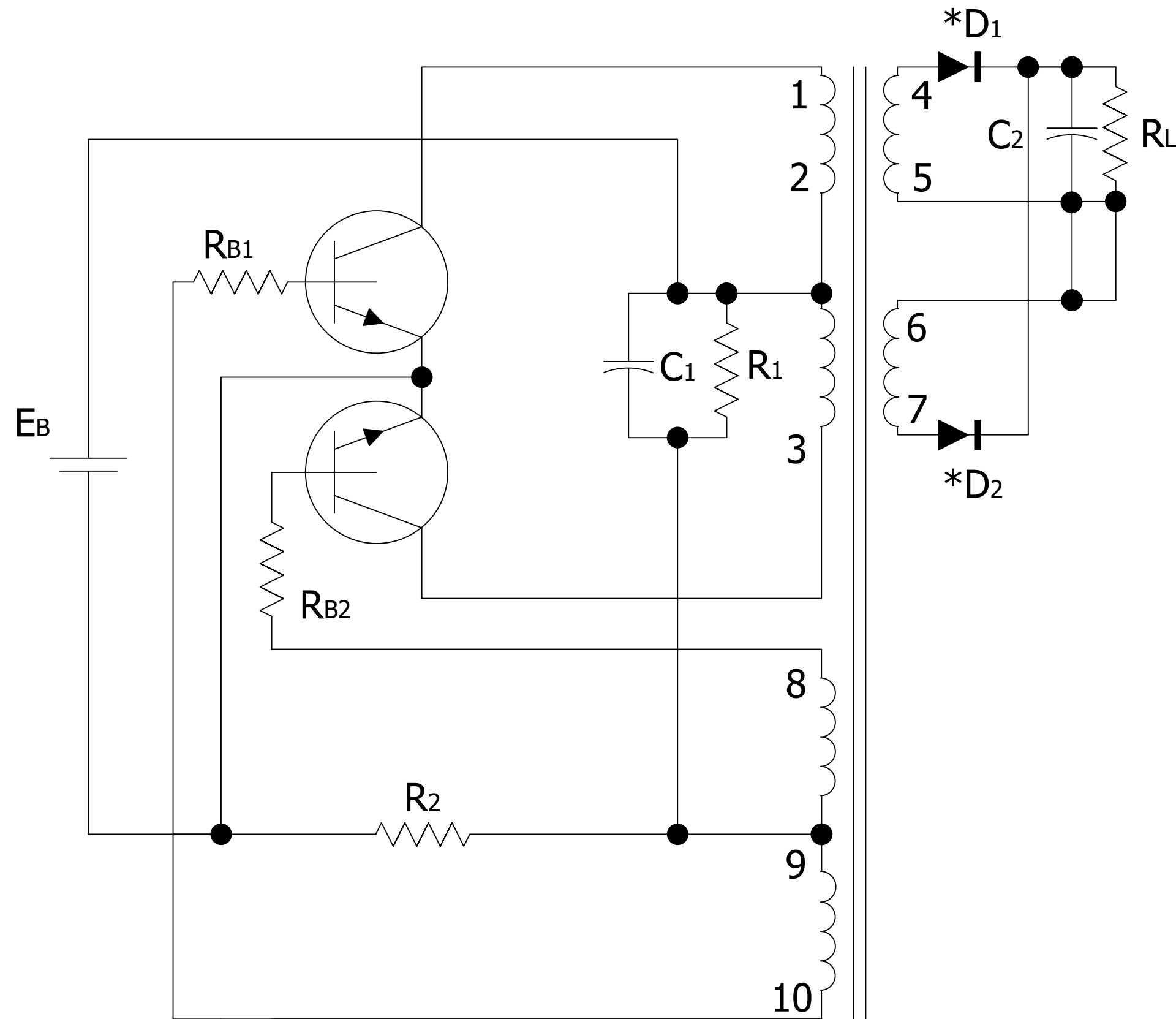


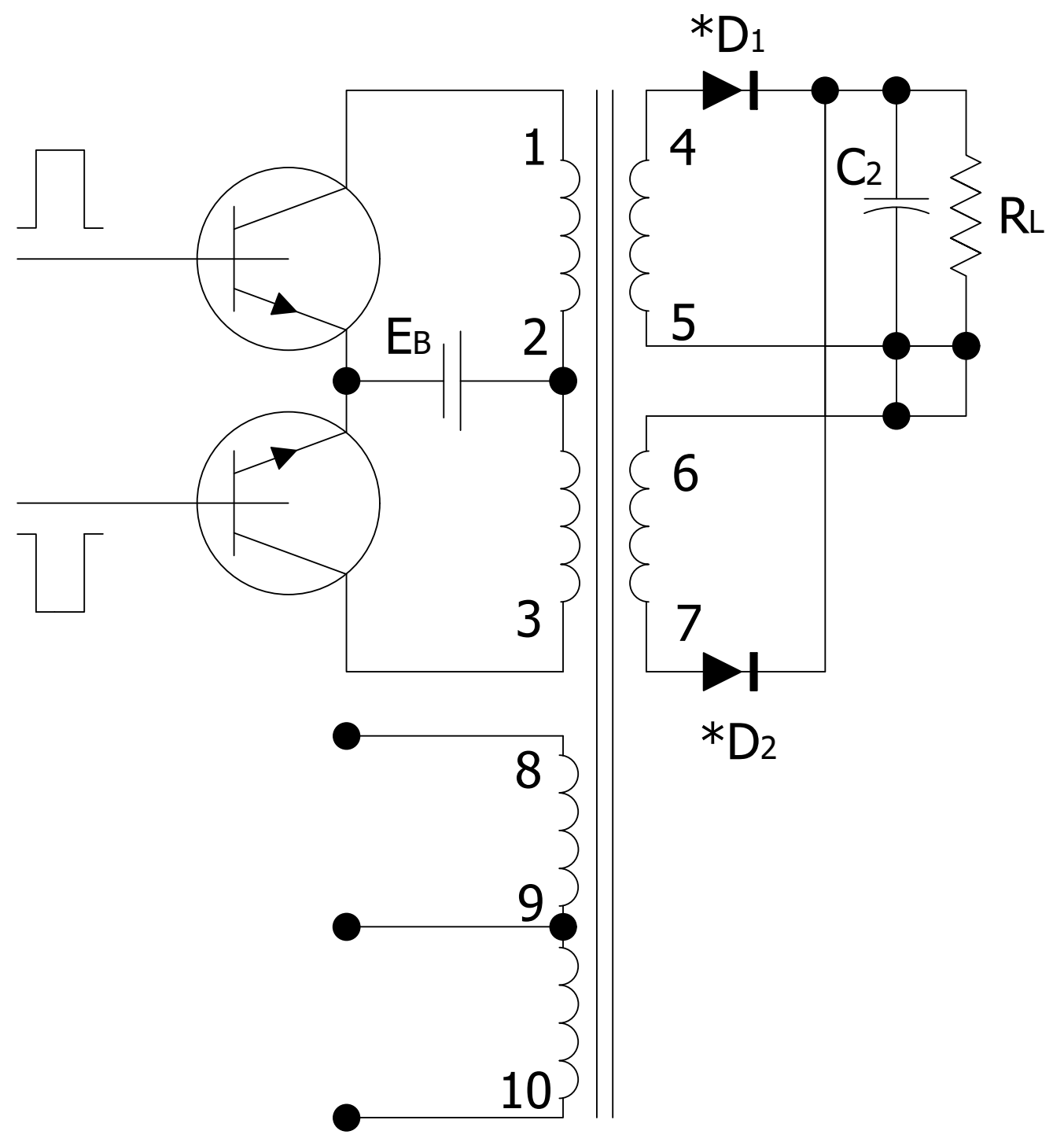
**SCHEMATIC USING TRANSFORMERS
AS SELF-SATURATING [33000 SERIES]**



SCHOTTKY OR FAST-SWITCHING DIODES USED

| | | | | | |
|---------------|-------------|----------------------------|---|-------------------------|--|
| DRAWN | P.PALUCH | PICO Electronics | 143 Sparks Ave Village of Pelham, NY 10803 | | |
| CHECKED | H. VIDAURRE | | | | |
| QA | | 33000 SERIES | | | |
| MFG | | | | | |
| APPROVED | | SIZE | DWG NO | REV | |
| REVISION DATE | 06/06/2023 | C | | 1 | |
| | | SCALE | NTS | www.picoelectronics.com | |

**SCHEMATIC USING TRANSFORMERS
AS LINEAR SWITCHING [33000 SERIES]**



SCHOTTKY OR FAST-SWITCHING DIODES USED

| | | | | |
|---------------|-------------|---------------------|-----------------------------|----------|
| DRAWN | P.PALUCH | PICO | 143 Sparks Ave | |
| CHECKED | H. VIDAURRE | | Village of Pelham, NY 10803 | |
| QA | | Electronics | | |
| MFG | | 33000 SERIES | | |
| APPROVED | | SIZE | DWG NO | REV |
| REVISION DATE | 06/06/2023 | C | | 1 |
| | | SCALE NTS | www.picoelectronics.com | |

4

3

2

1

1

D

D

C

C

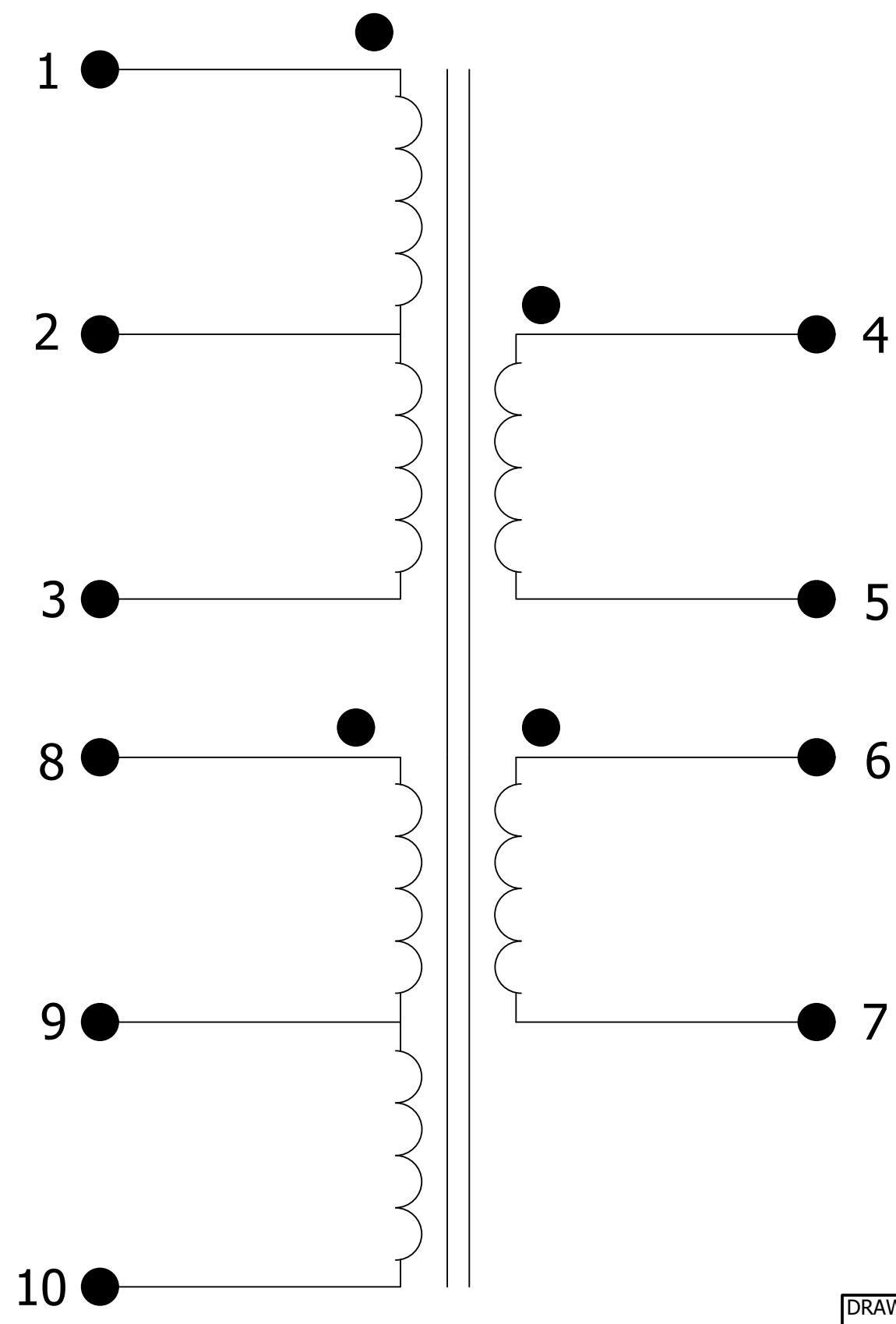
B

B

A

A

WIRING DIAGRAM



1-2-3 INPUT [PRIMARY VOLTAGE]
 4-5-6-7 OUTPUT [SECONDARY VOLTAGE]
 8-9-10 BIAS WINDING

SCHOTTKY OR FAST-SWITCHING DIODES USED

| | | | | |
|---------------|-------------|---|-------------------------|-----------------|
| DRAWN | P.PALUCH | PICO 143 Sparks Ave Village of Pelham, NY 10803 | | |
| CHECKED | H. VIDAURRE | | | |
| QA | | Electronics | | |
| MFG | | | | |
| APPROVED | | 33000 SERIES | | |
| REVISION DATE | 06/06/2023 | | | |
| | | SIZE C | DWG NO | REV 1 |
| | | SCALE NTS | www.picoelectronics.com | |

4

3

4

2

1