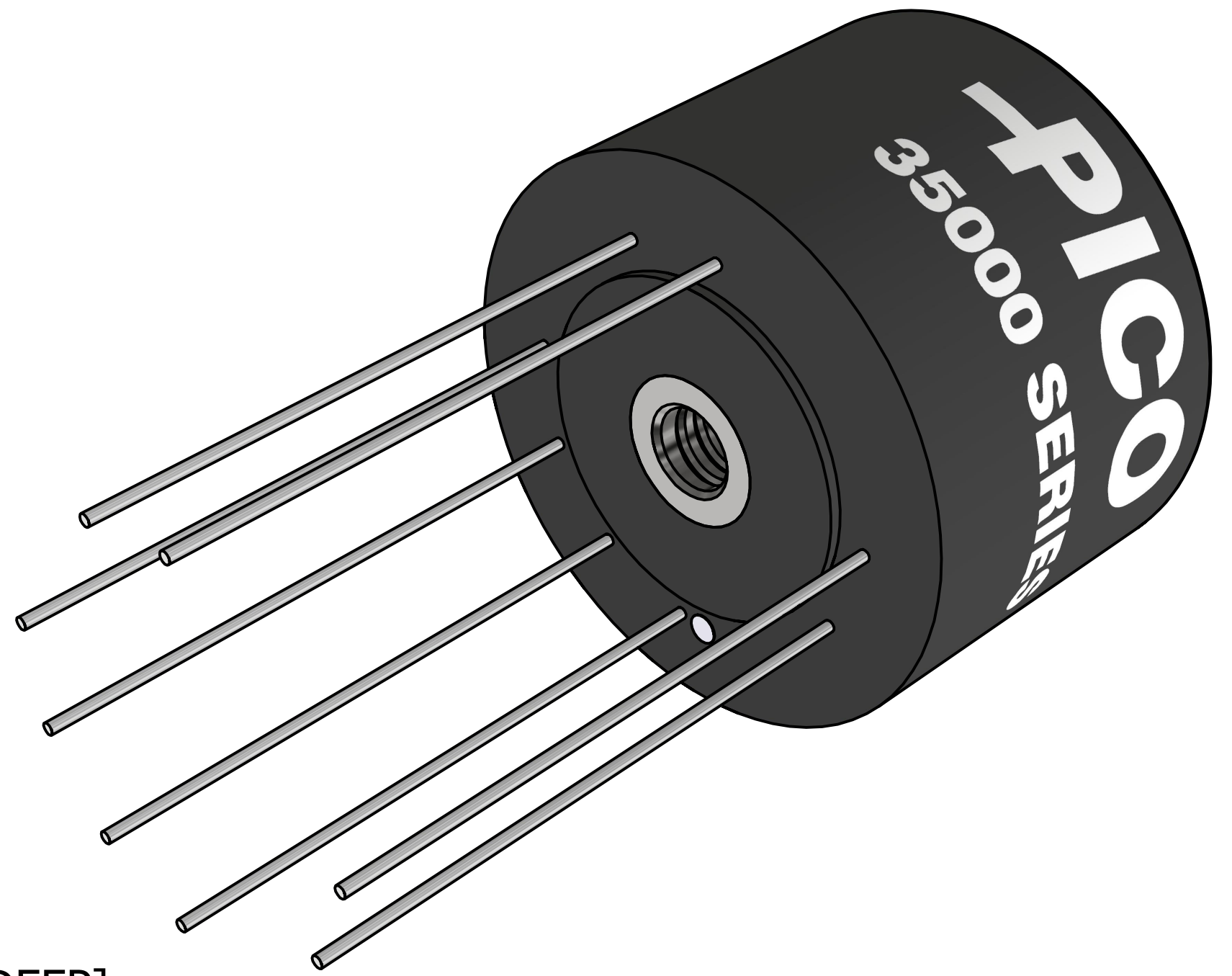
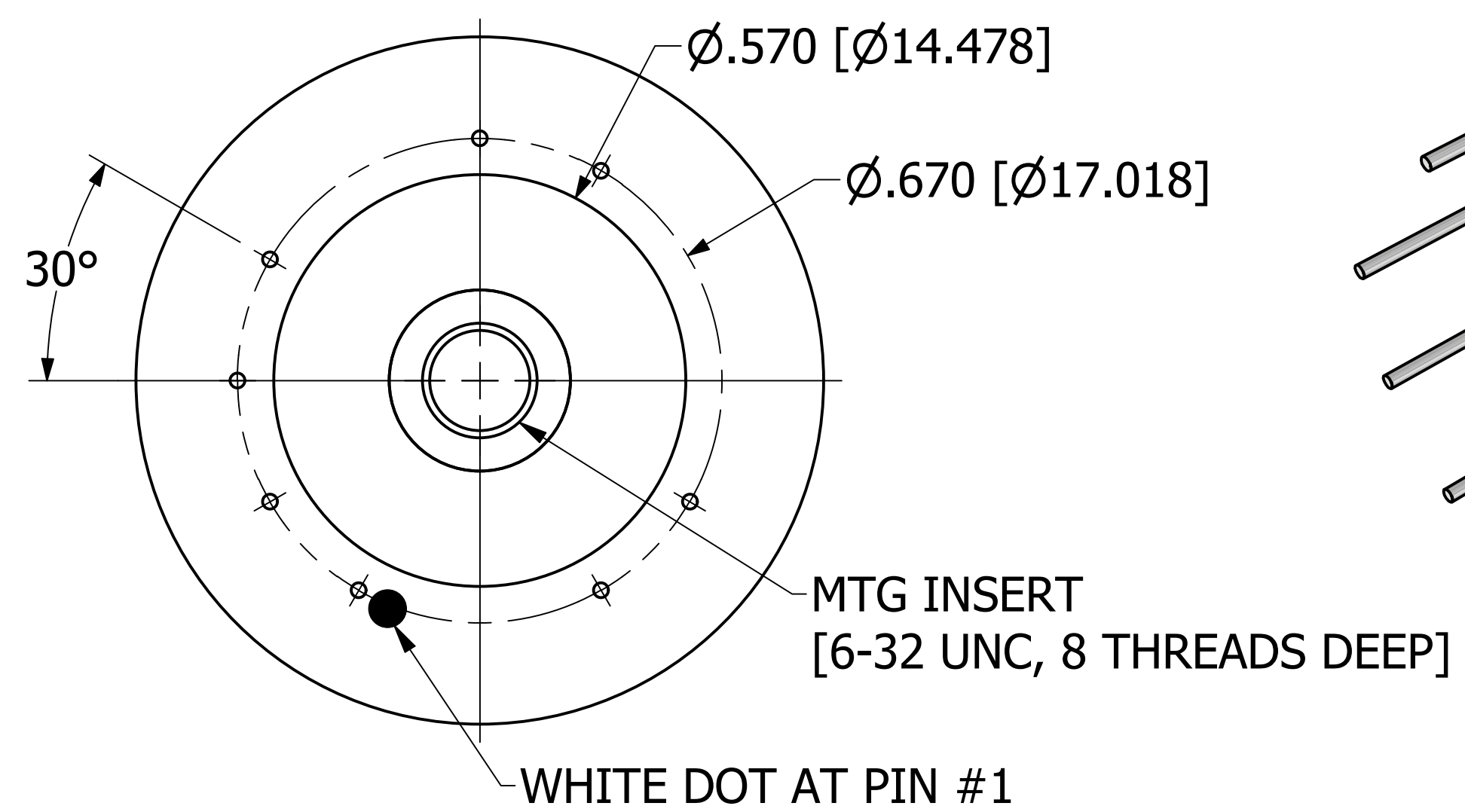
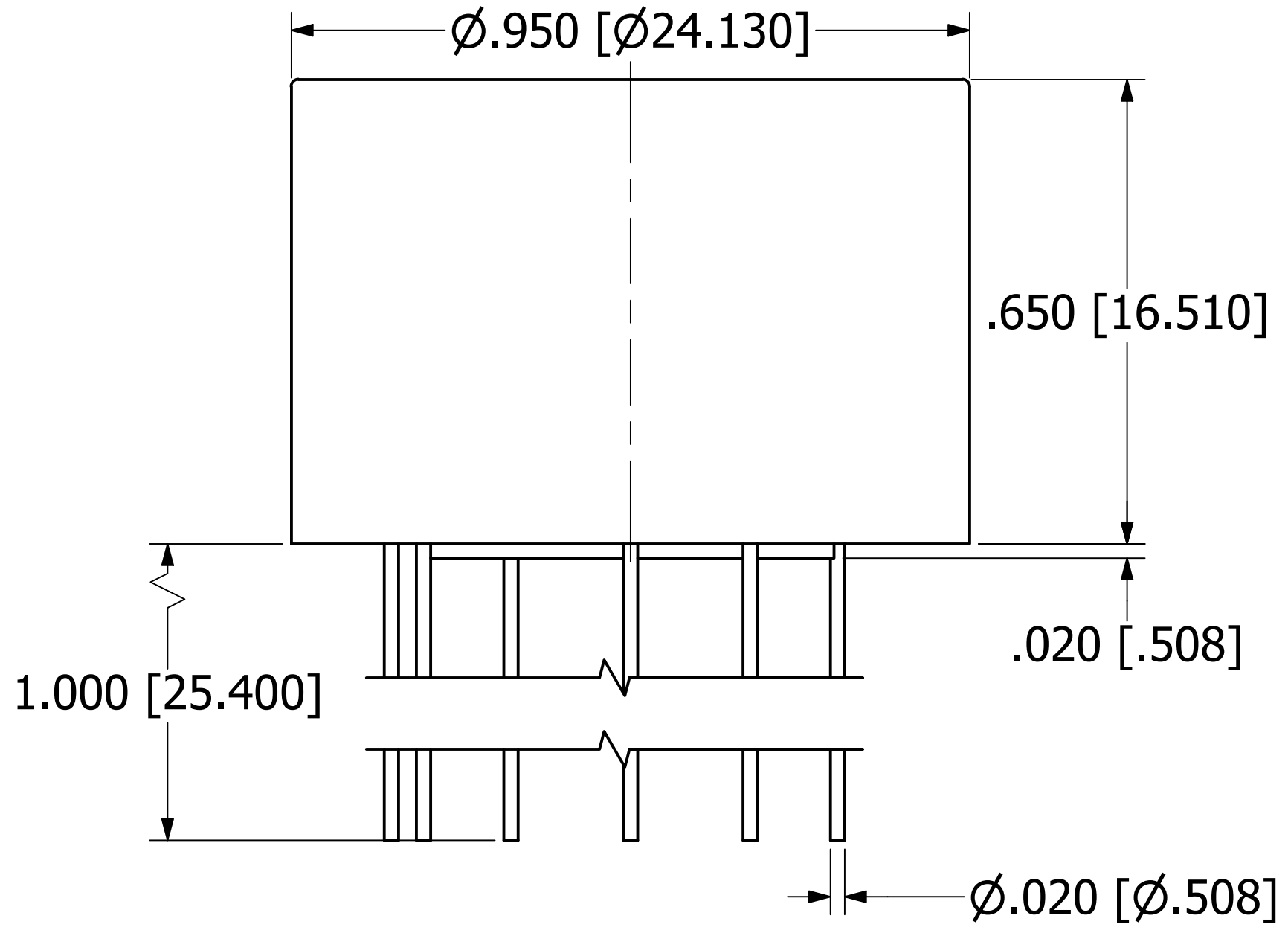


NOTES

- a. ALL DIMENSIONS ARE IN INCHES, [] = MM
- b. TERMINAL ORDER IS NUMERICALLY CLOCKWISE FROM PIN #1
- c. TERMINALS 5, 8, & 9 ARE OMITTED BY DESIGN



BOTTOM VIEW

PROPRIETARY AND CONFIDENTIAL

THE INFORMATION CONTAINED IN THIS DRAWING IS THE SOLE PROPERTY OF PICO ELECTRONICS INC. ANY REPRODUCTION IN PART OR AS A WHOLE WITHOUT THE WRITTEN PERMISSION OF PICO ELECTRONICS INC. IS PROHIBITED

DRAWN	P.PALUCH	PICO Electronics	143 Sparks Ave Village of Pelham, NY 10803		
CHECKED	H. VIDAURRE				
QA		35000 SERIES			
MFG					
APPROVED		SIZE	DWG NO	REV	
REVISION DATE	06/06/2023	C		1	
		SCALE	NTS	www.picoelectronics.com	