

4

3

2

1

D

D

C

C

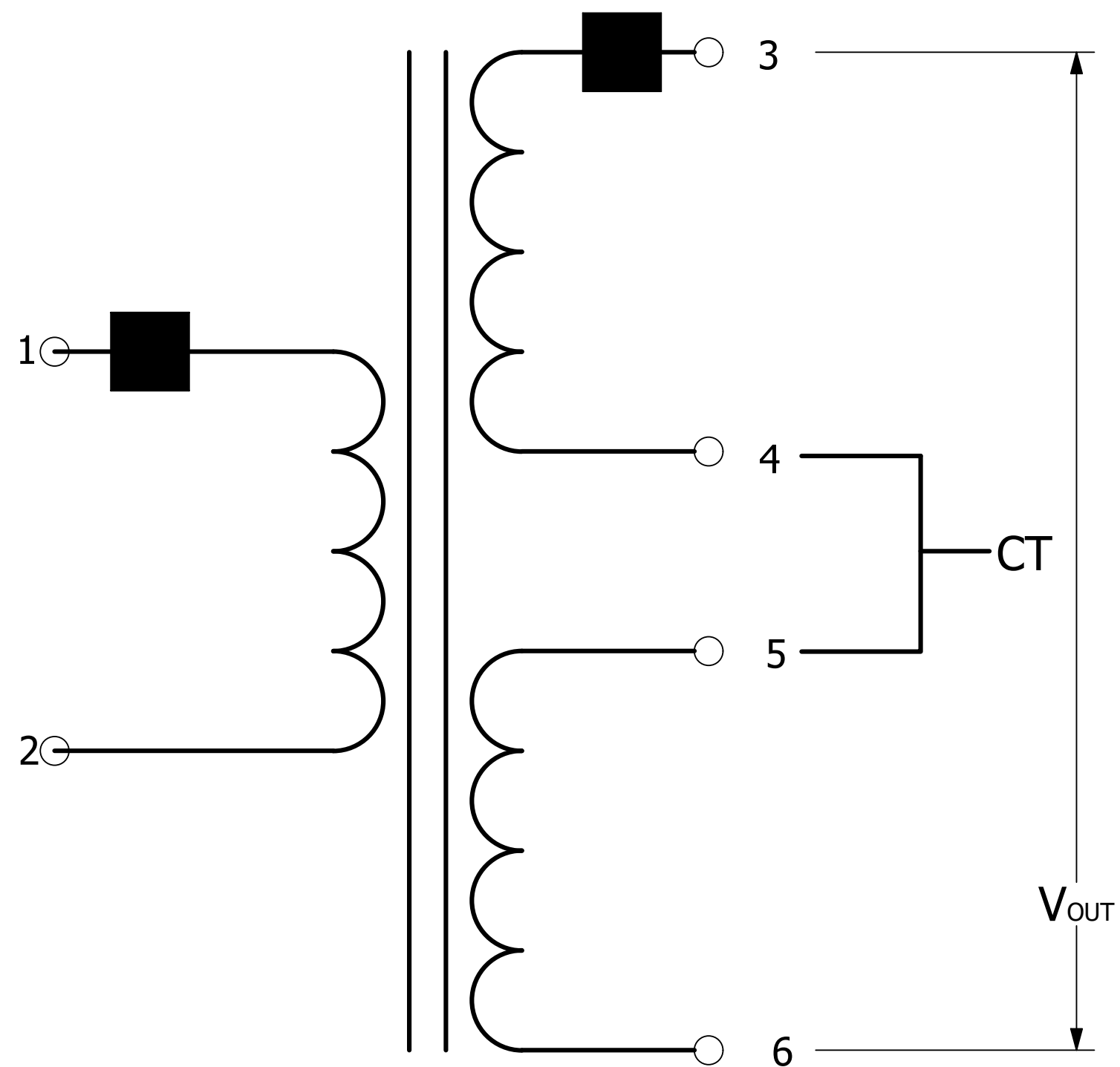
B

B

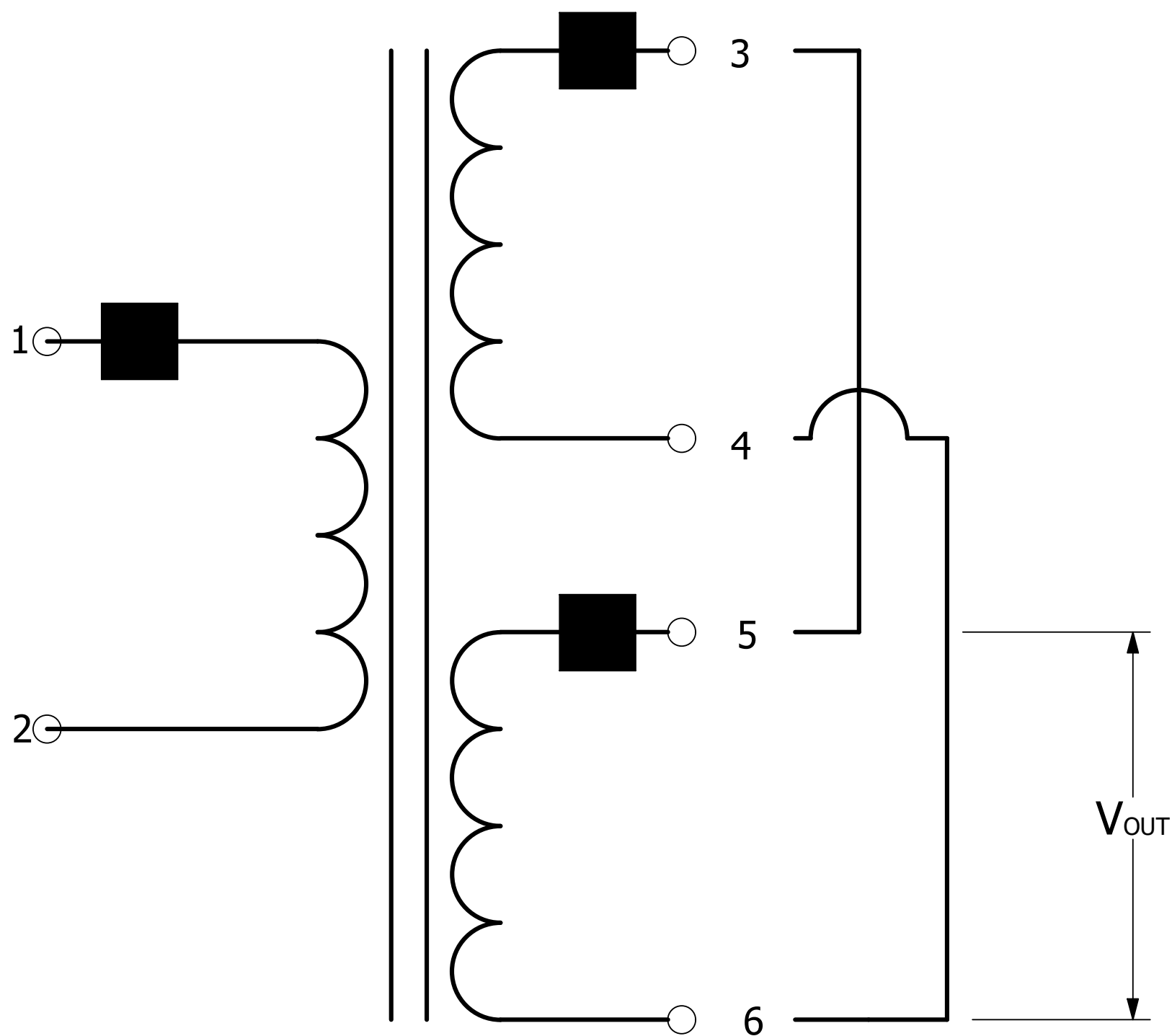
A

A

400 HZ SERIES
 SCHEMATIC FOR SERIES CONNECTED SECONDARIES



400 HZ SERIES
 SCHEMATIC FOR PARALLEL CONNECTED SECONDARIES



DRAWN	P.PALUCH	PICO	143 Sparks Ave	
CHECKED	H. VIDAURRE		Village of Pelham, NY 10803	
QA		Electronics		
MFG		400 HZ SERIES		
APPROVED		SIZE	DWG NO	REV
REVISION DATE	06/06/2023	C		1
		SCALE NTS	www.picoelectronics.com	