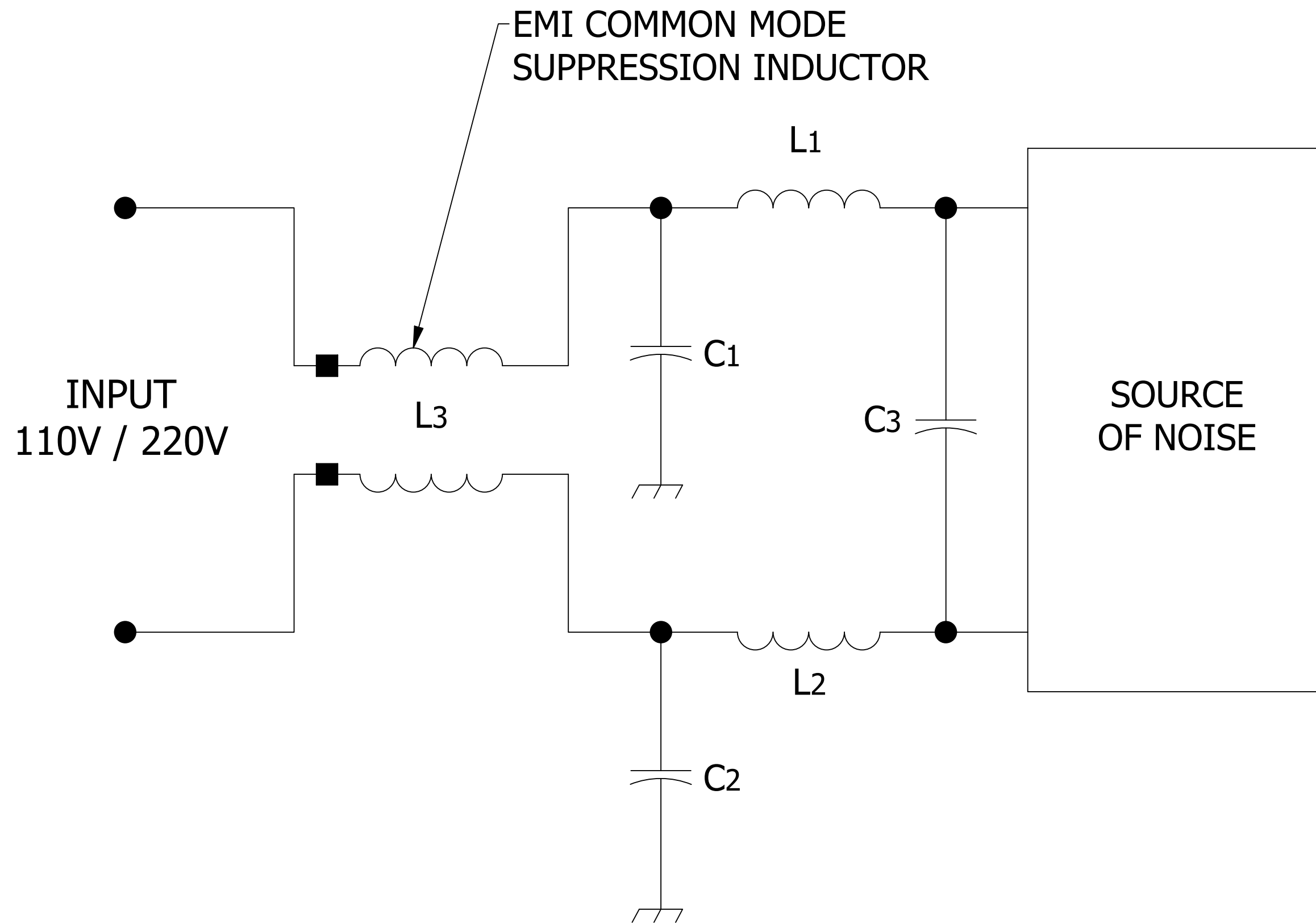


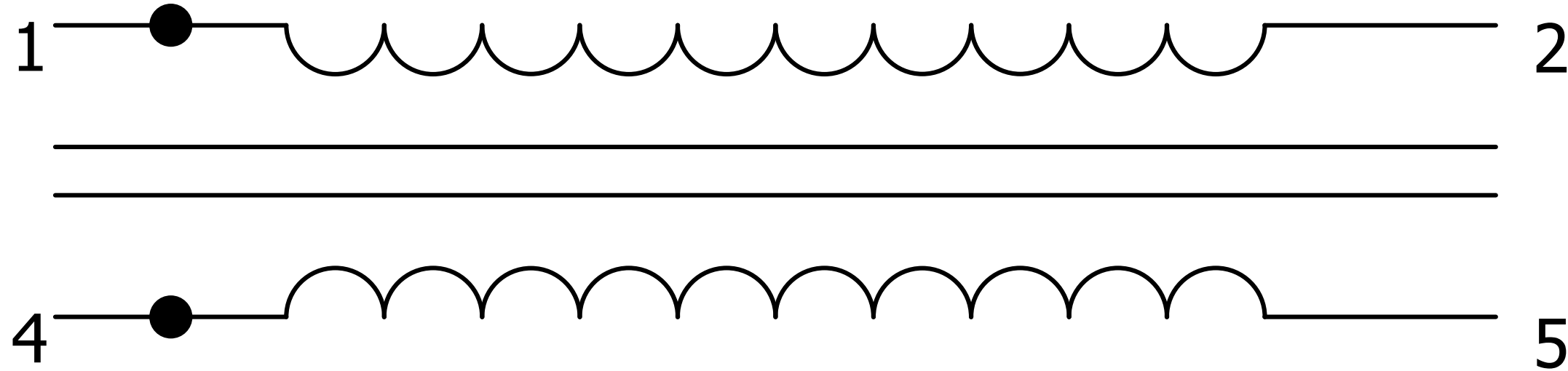
### TYPICAL APPLICATION CIRCUIT [46000 SERIES]



A TYPICAL CIRCUIT FOR THE ELIMINATION OF NOISE IS SHOWN ABOVE. THE FILTER CONTAINS TWO STAGES; ONE FOR COMMON MODE NOISE [L3, C1, C2] AND ONE FOR CONDUCTED NOISE [L1, L2, C3]

DRAWN	P.PALUCH	<b>PICO</b>	143 Sparks Ave	
CHECKED	H. VIDAURRE		Village of Pelham, NY 10803	
QA		<b>Electronics</b>		
MFG		<b>46000 SERIES</b>		
APPROVED		SIZE	DWG NO	REV
REVISION DATE	06/06/2023	C		1
		SCALE	NTS	www.picoelectronics.com

# TERMINAL ARRANGEMENT [46000 SERIES]



DRAWN	P.PALUCH	<b>PICO</b>	143 Sparks Ave	
CHECKED	H. VIDAURRE		Village of Pelham, NY 10803	
QA		<b>Electronics</b>		
MFG		<b>46000 SERIES</b>		
APPROVED				
REVISION DATE	06/06/2023	SIZE <b>C</b>	DWG NO	REV 1
		SCALE NTS	www.picoelectronics.com	