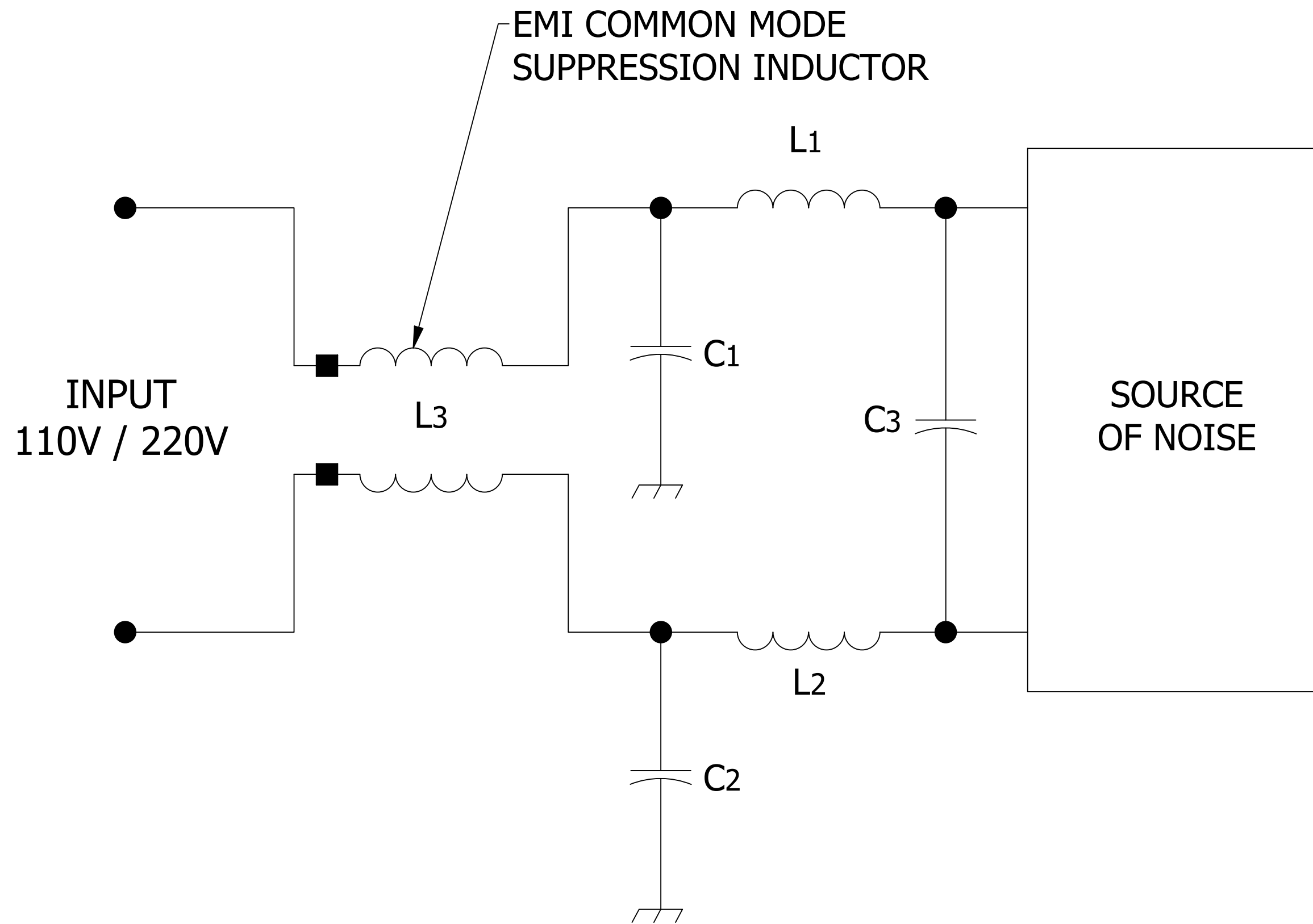


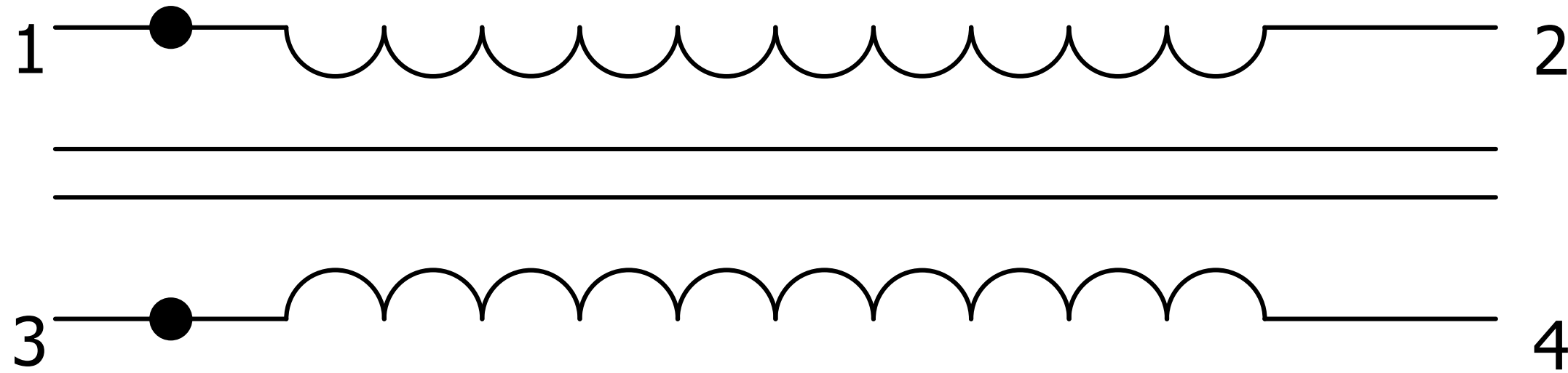
TYPICAL APPLICATION CIRCUIT [48000 SERIES]



A TYPICAL CIRCUIT FOR THE ELIMINATION OF NOISE IS SHOWN ABOVE. THE FILTER CONTAINS TWO STAGES; ONE FOR COMMON MODE NOISE [L3, C1, C2] AND ONE FOR CONDUCTED NOISE [L1, L2, C3]

DRAWN	P.PALUCH	PICO	143 Sparks Ave Village of Pelham, NY 10803	
CHECKED	H. VIDAURRE		Electronics	
QA		48000 SERIES		
MFG				
APPROVED				
REVISION DATE	06/06/2023	SIZE C	DWG NO	REV 1
		SCALE NTS	www.picoelectronics.com	

TERMINAL ARRANGEMENT [48000 SERIES]



DRAWN	P.PALUCH	PICO	143 Sparks Ave		
CHECKED	H. VIDAURRE		Village of Pelham, NY 10803		
QA		Electronics			
MFG		48000 SERIES			
APPROVED		SIZE	DWG NO	REV	
REVISION DATE	06/06/2023	C		1	
		SCALE	NTS	www.picoelectronics.com	