

4

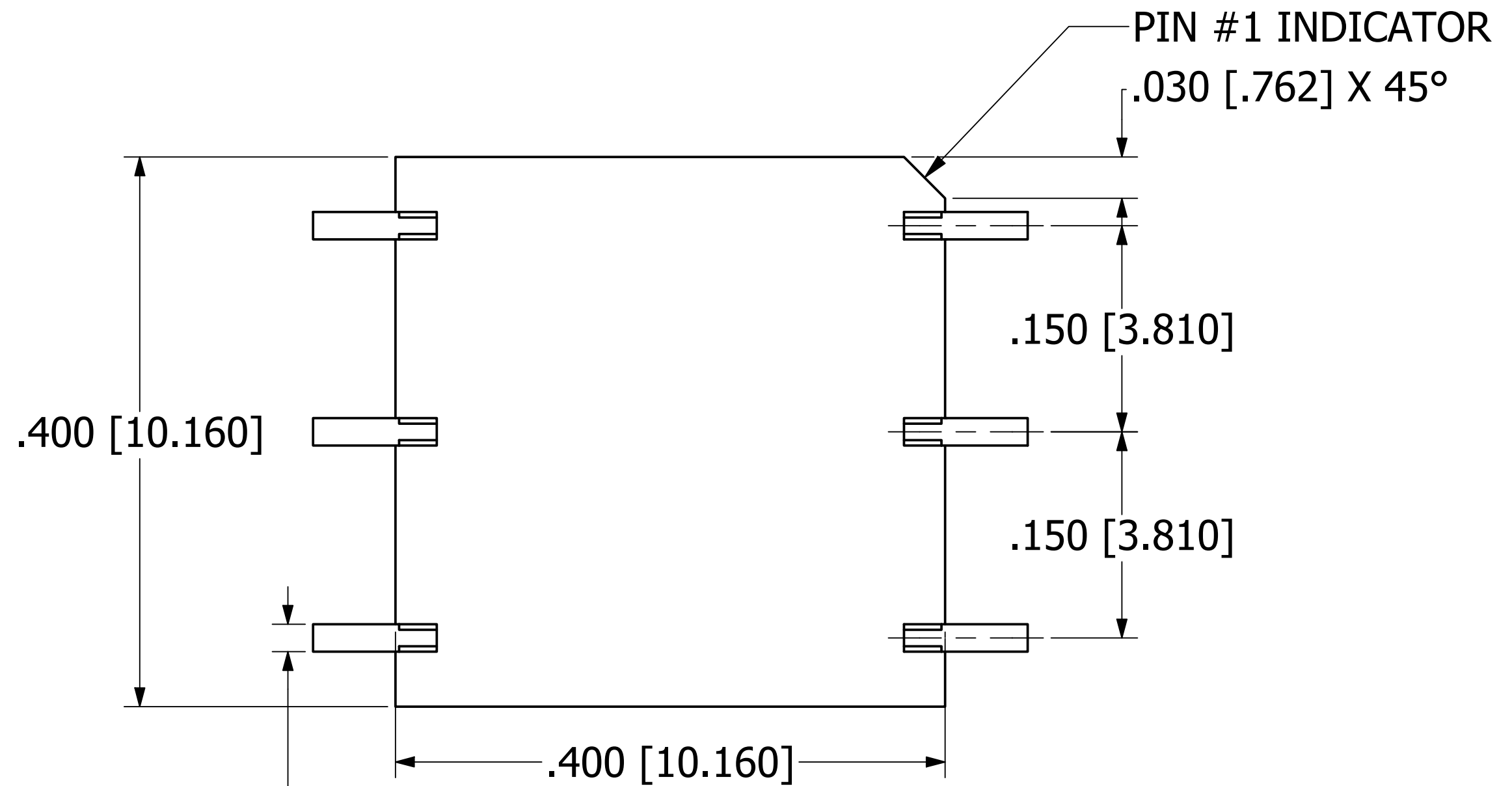
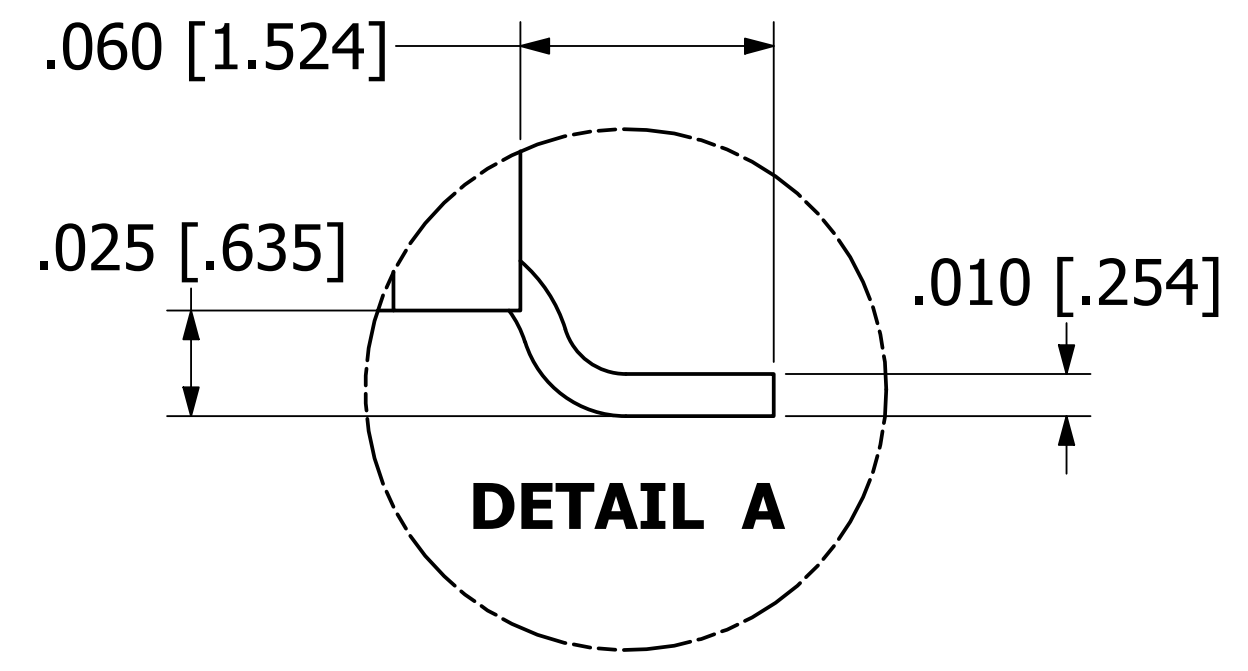
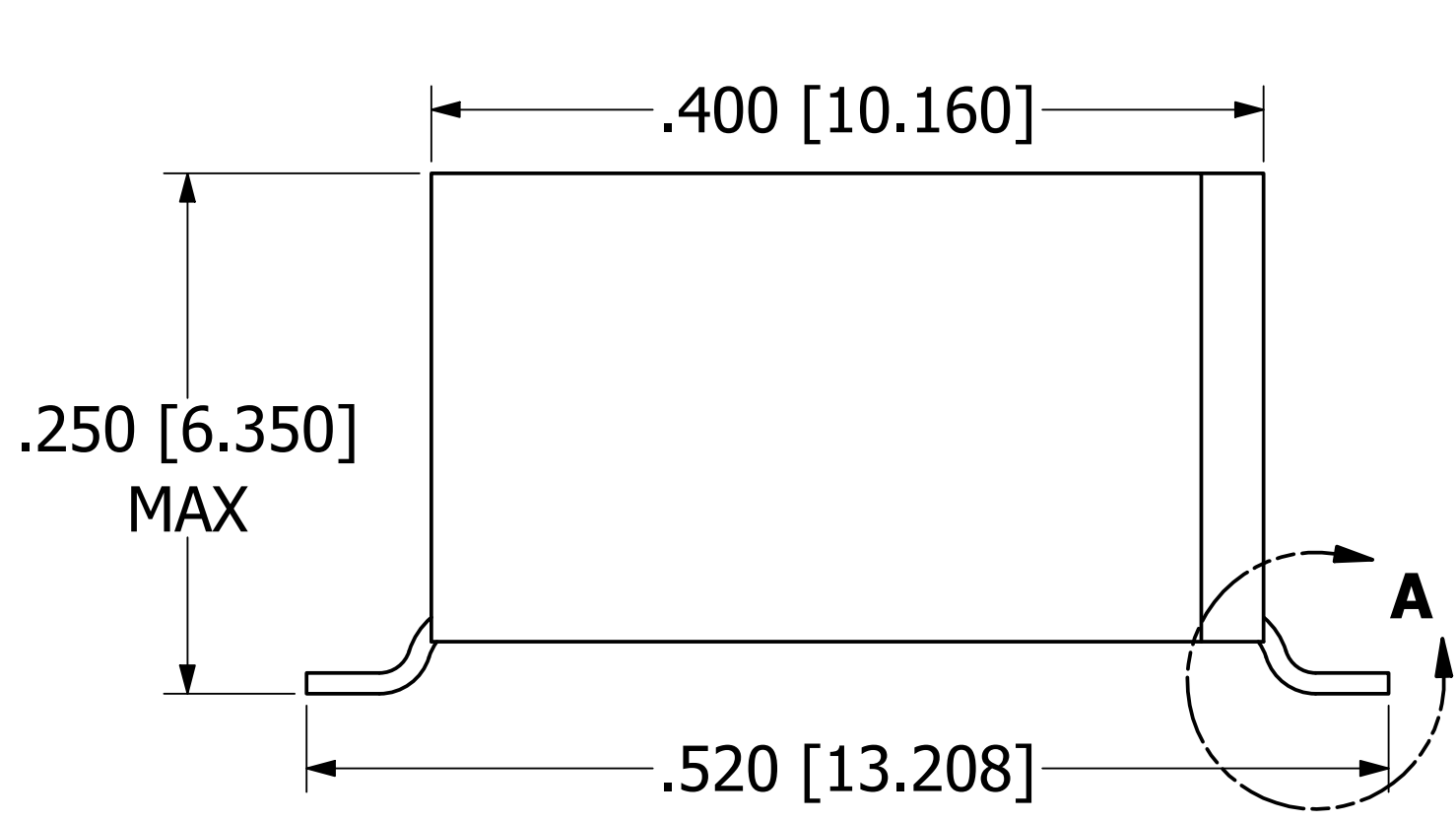
3

2

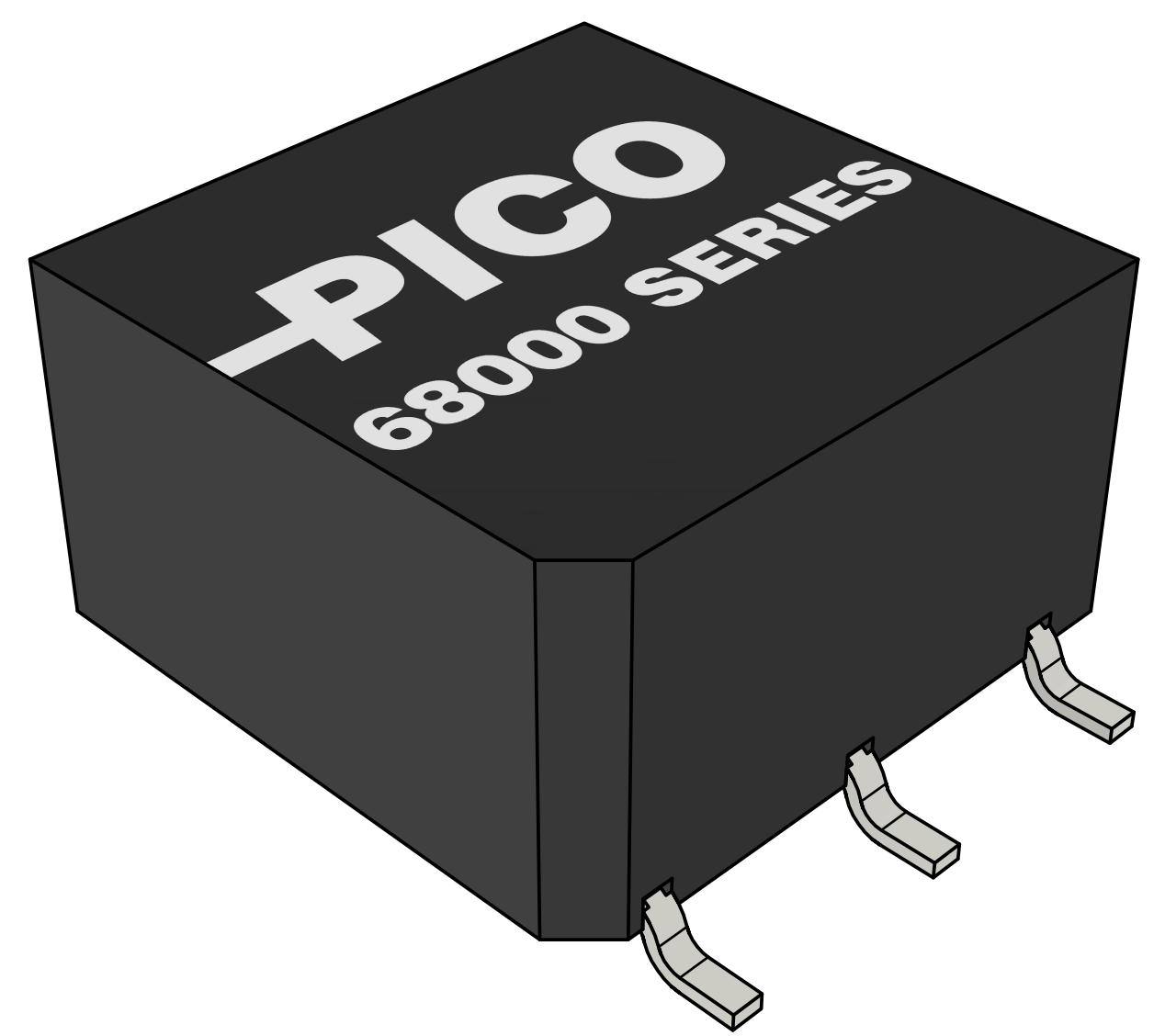
1

**NOTES**

- a. ALL DIMENSIONS ARE IN INCHES, [ ] = MM
- b. TERMINALS ARE CLOCKWISE FROM PIN #1



**BOTTOM VIEW**



**PROPRIETARY AND CONFIDENTIAL**  
 THE INFORMATION CONTAINED IN THIS DRAWING IS THE SOLE PROPERTY OF  
 PICO ELECTRONICS INC. ANY REPRODUCTION IN PART OR AS A WHOLE WITHOUT THE WRITTEN  
 PERMISSION OF PICO ELECTRONICS INC. IS PROHIBITED

|               |             |                     |                             |          |
|---------------|-------------|---------------------|-----------------------------|----------|
| DRAWN         | P.PALUCH    | <b>PICO</b>         | 143 Sparks Ave              |          |
| CHECKED       | H. VIDAURRE |                     | Village of Pelham, NY 10803 |          |
| QA            |             | <b>Electronics</b>  |                             |          |
| MFG           |             | <b>68500 SERIES</b> |                             |          |
| APPROVED      |             | CONFIGURATION C     |                             |          |
| REVISION DATE | 06/06/2023  | SIZE<br><b>C</b>    | DWG NO                      | REV<br>1 |
|               |             | SCALE NTS           | www.picoelectronics.com     |          |

4

3

4

2

1

D

D

C

C

B

B

B

B

A

A