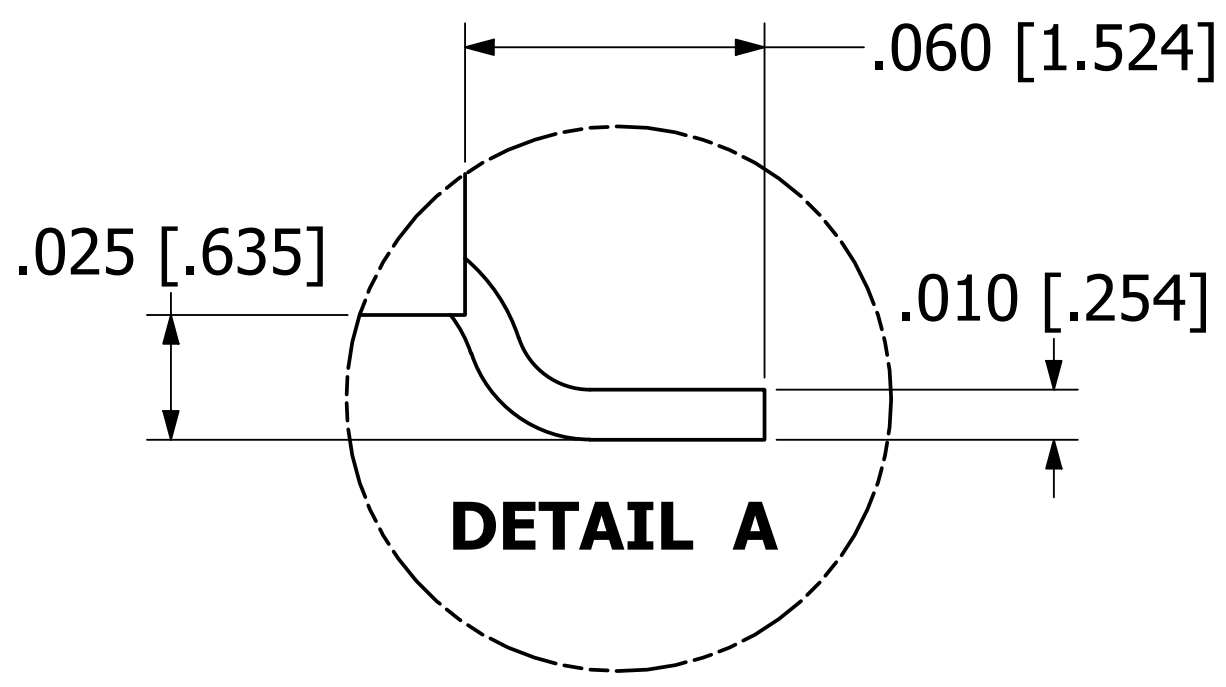
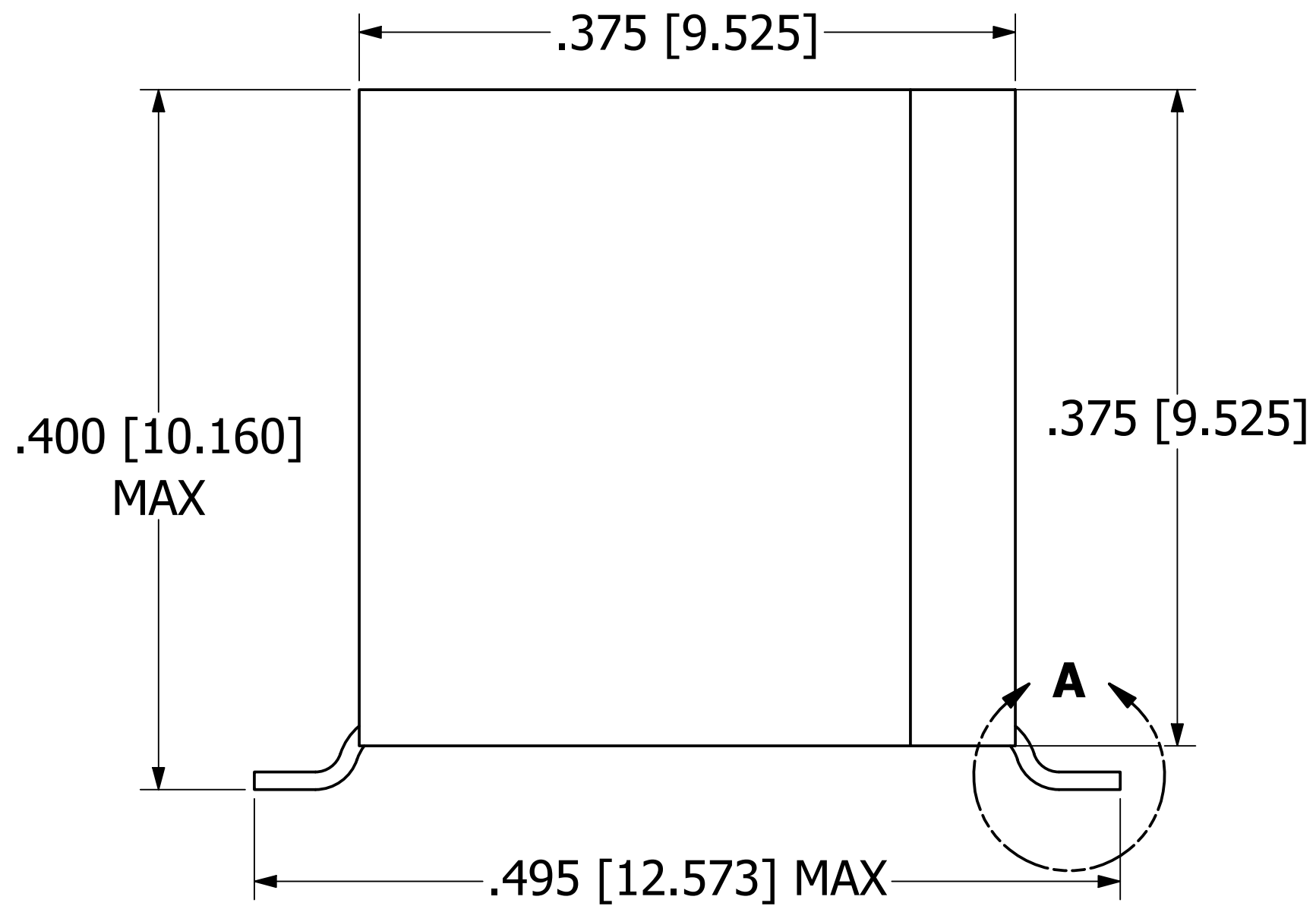
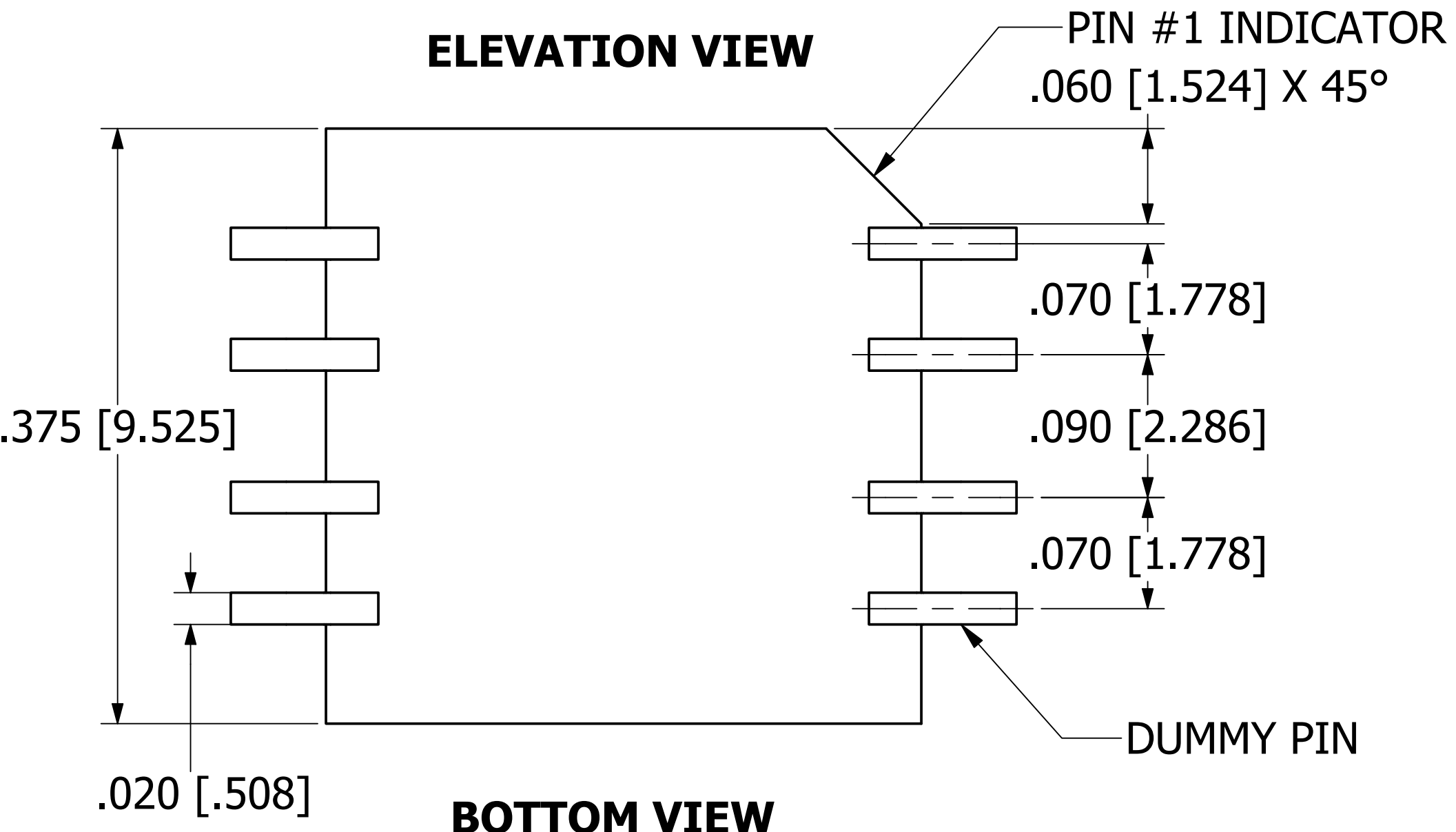


NOTES

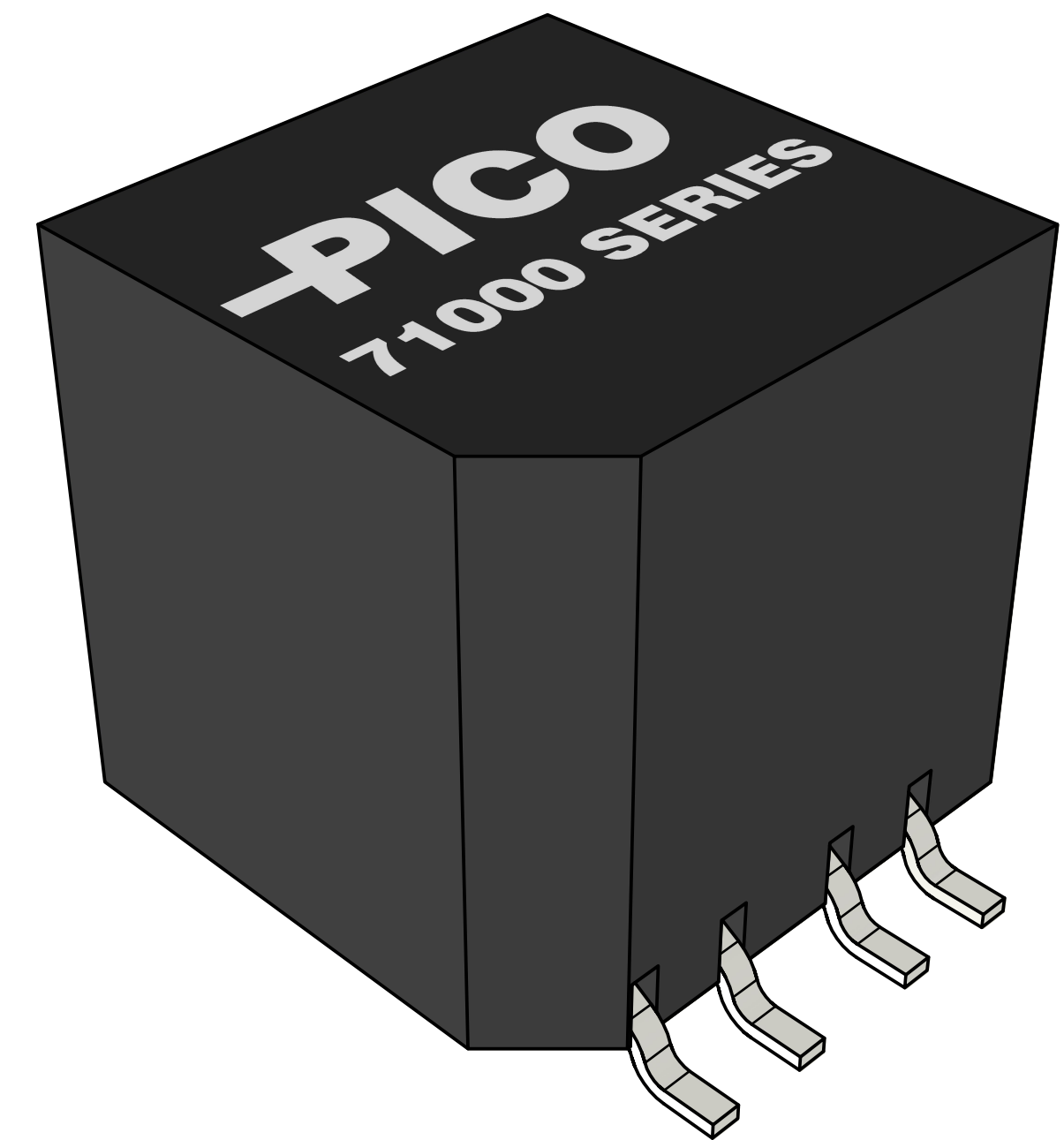
- a. ALL DIMENSIONS ARE IN INCHES, [] = MM
- b. TERMINALS ARE CLOCKWISE FROM PIN #1



ELEVATION VIEW



BOTTOM VIEW



PROPRIETARY AND CONFIDENTIAL
 THE INFORMATION CONTAINED IN THIS DRAWING IS THE SOLE PROPERTY OF PICO ELECTRONICS INC. ANY REPRODUCTION IN PART OR AS A WHOLE WITHOUT THE WRITTEN PERMISSION OF PICO ELECTRONICS INC. IS PROHIBITED

| | | | | |
|---------------|-------------|----------------------------|---|-------------------------|
| DRAWN | P.PALUCH | PICO Electronics | 143 Sparks Ave Village of Pelham, NY 10803 | |
| CHECKED | H. VIDAURRE | | | |
| QA | | 71000 SERIES | | |
| MFG | | | | |
| APPROVED | | SIZE | DWG NO | REV |
| REVISION DATE | 06/06/2023 | C | | 1 |
| | | SCALE | NTS | www.picoelectronics.com |