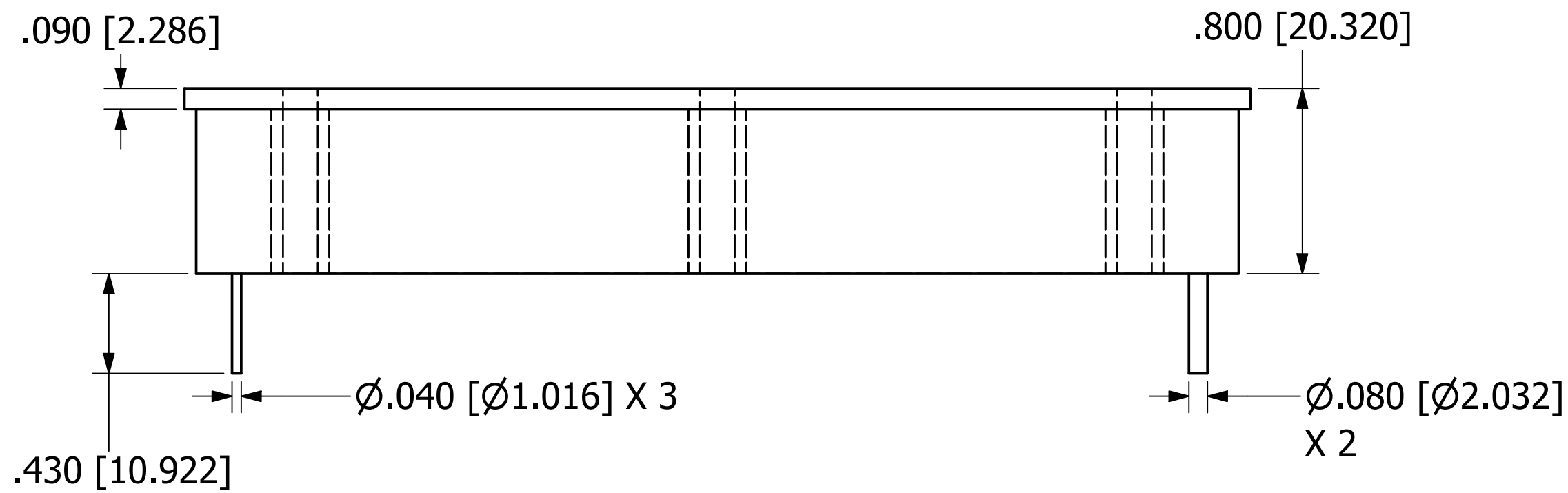
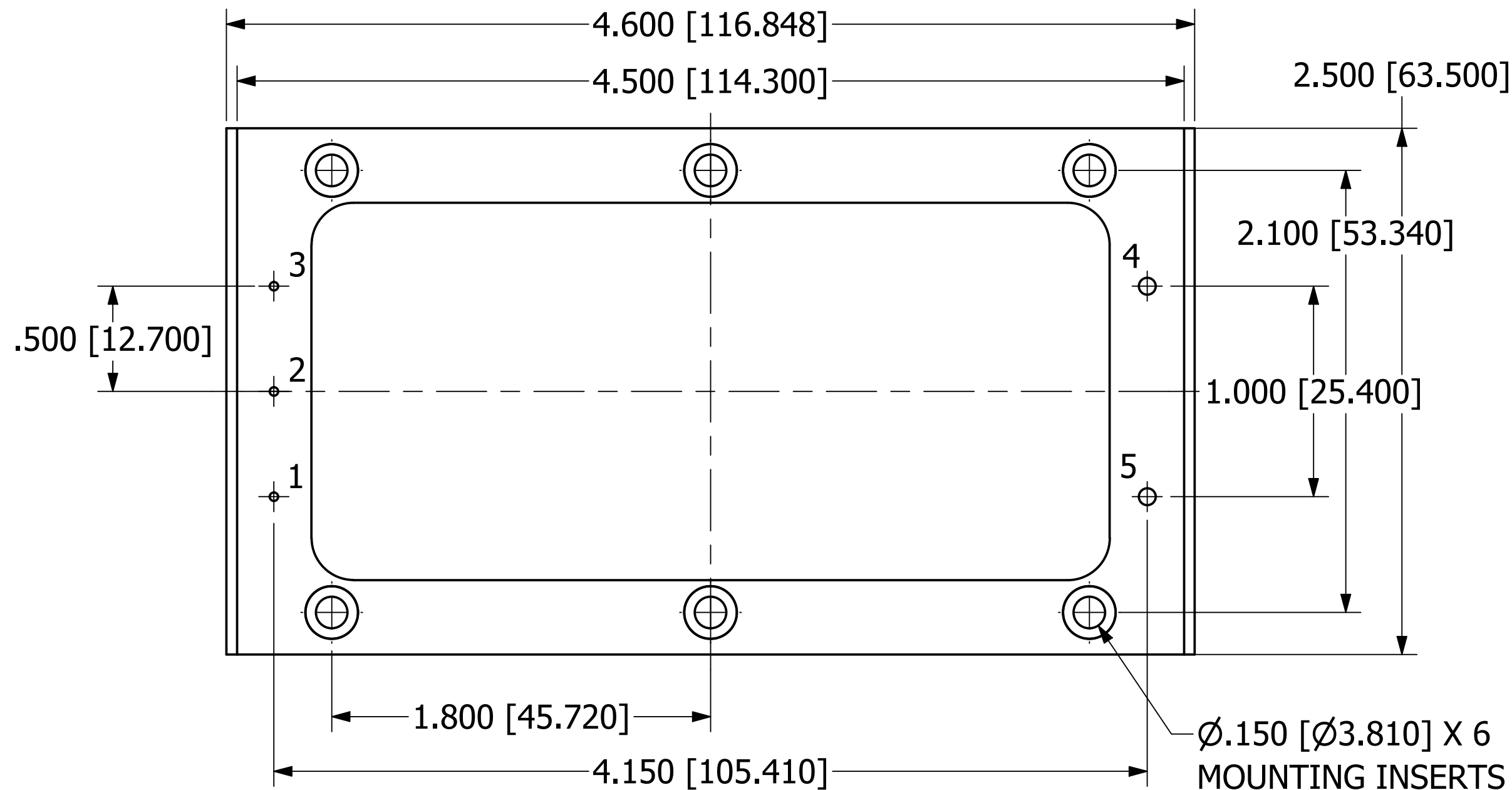
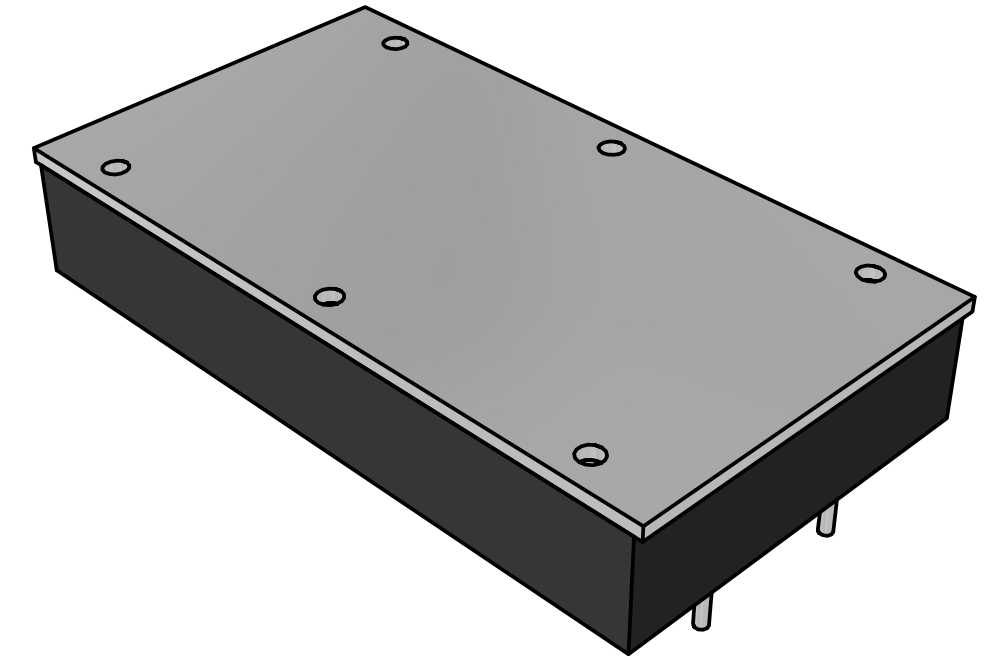


NOTES

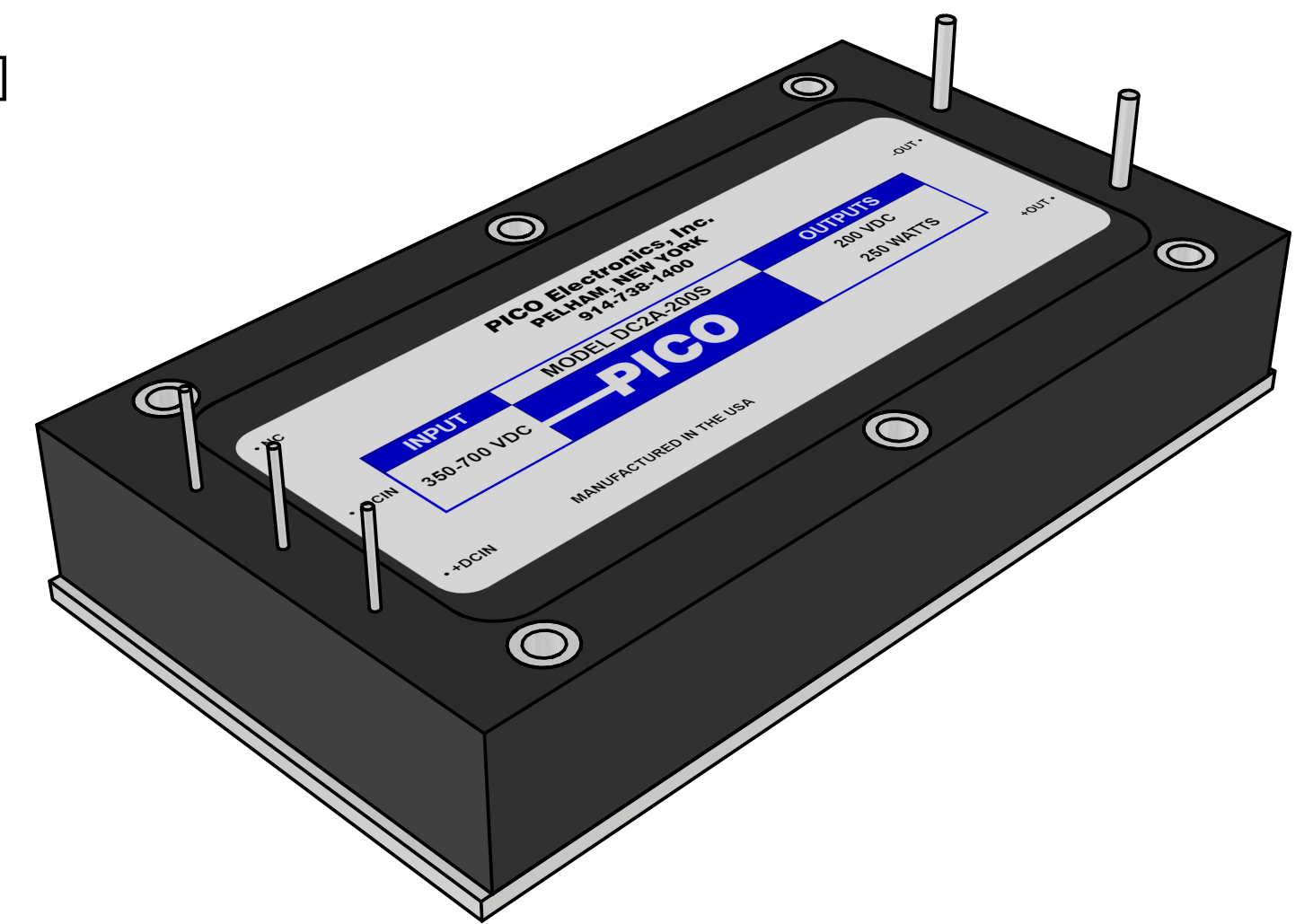
- a. ALL DIMENSIONS ARE IN INCHES, [] = MM
- b. RECOMMENDED TORQUE FOR MOUNTING SCREWS: 6-9 INCH-LBS



PIN	FUNCTION	PIN DIA.
1	+IN	.040
2	-IN	.040
3	NC	.040
4	-OUT	.080
5	+OUT	.080



BOTTOM VIEW



PROPRIETARY AND CONFIDENTIAL
 THE INFORMATION CONTAINED IN THIS DRAWING IS THE SOLE PROPERTY OF PICO ELECTRONICS INC. ANY REPRODUCTION IN PART OR AS A WHOLE WITHOUT THE WRITTEN PERMISSION OF PICO ELECTRONICS INC. IS PROHIBITED

DRAWN	P.PALUCH	PICO Electronics	143 Sparks Ave Village of Pelham, NY 10803	
CHECKED	H. VIDAURRE			
QA		SERIES DC2A [ABOVE 48 VDC OUTPUT]		
MFG		SIZE	DWG NO	REV
APPROVED		C		1
REVISION DATE	06/06/2023	SCALE	NTS	www.picoelectronics.com