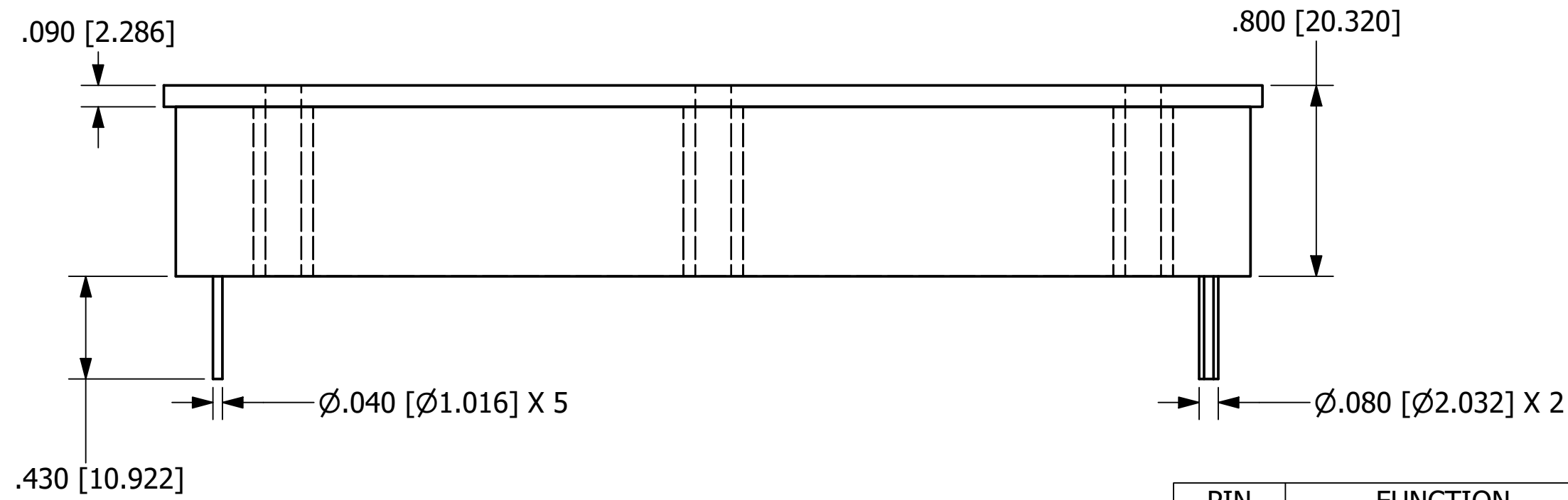
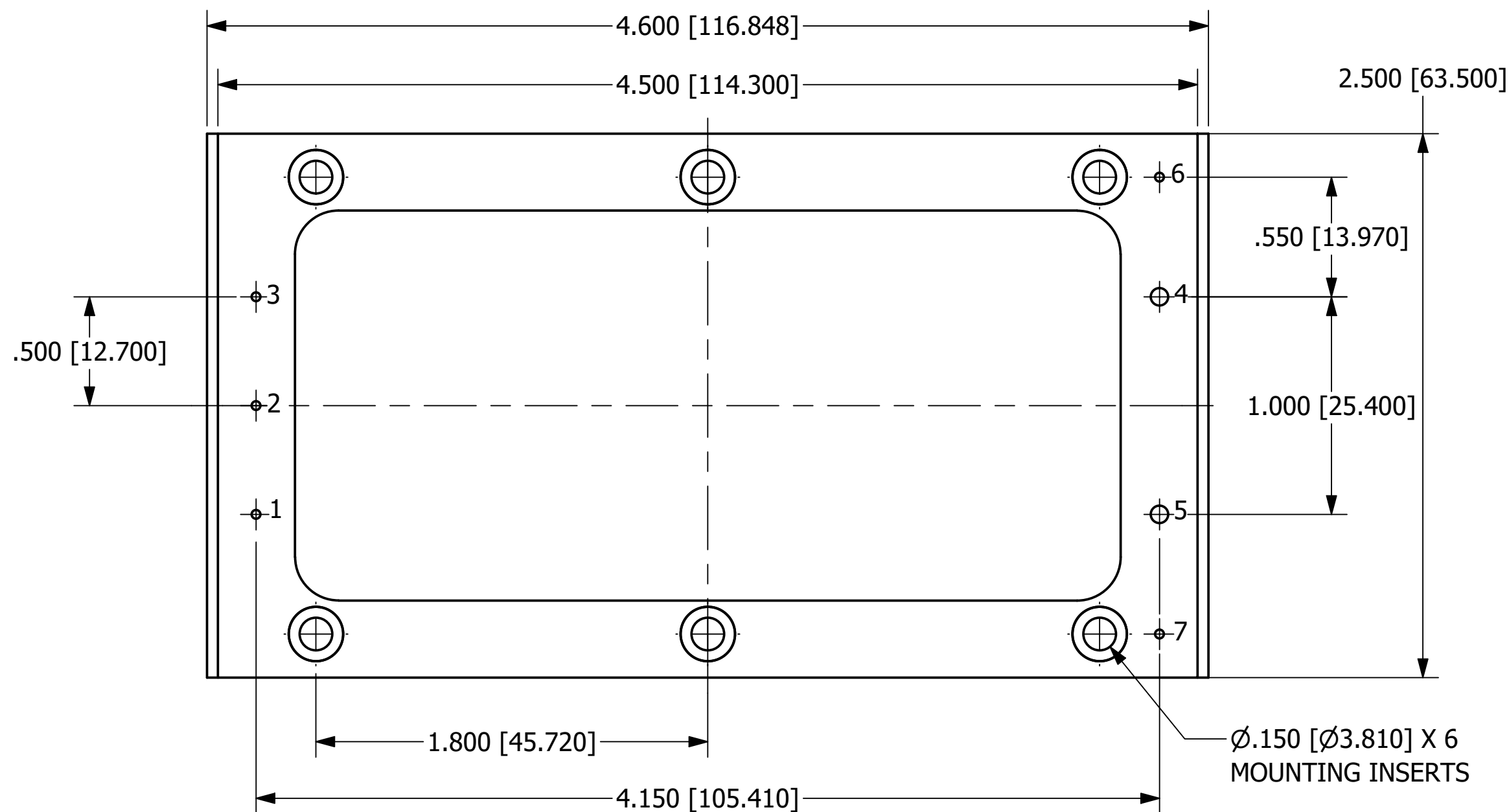
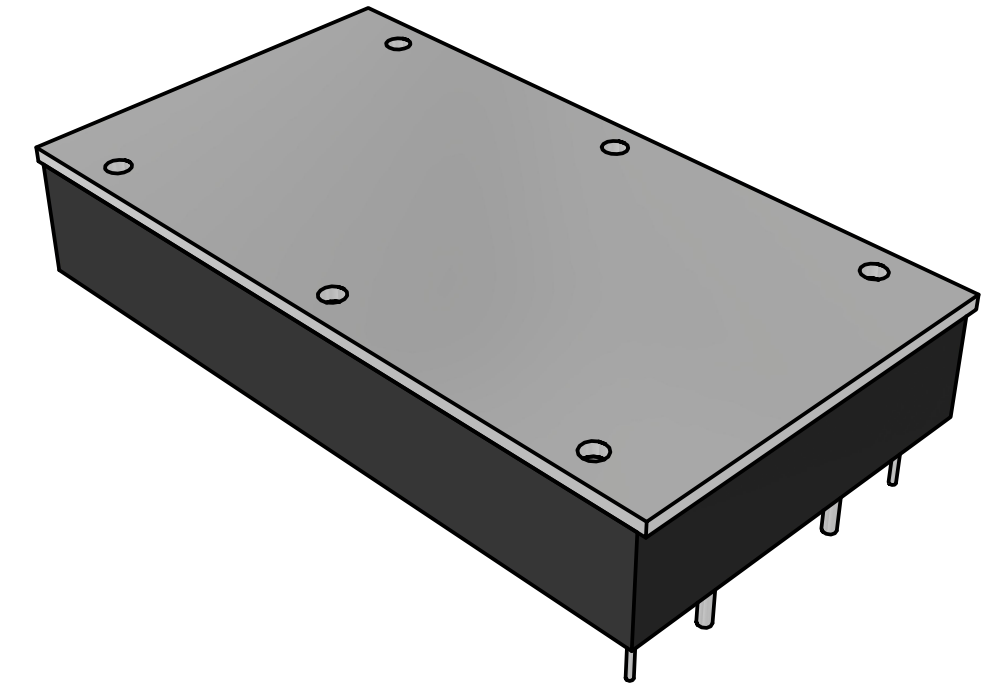


**NOTES**

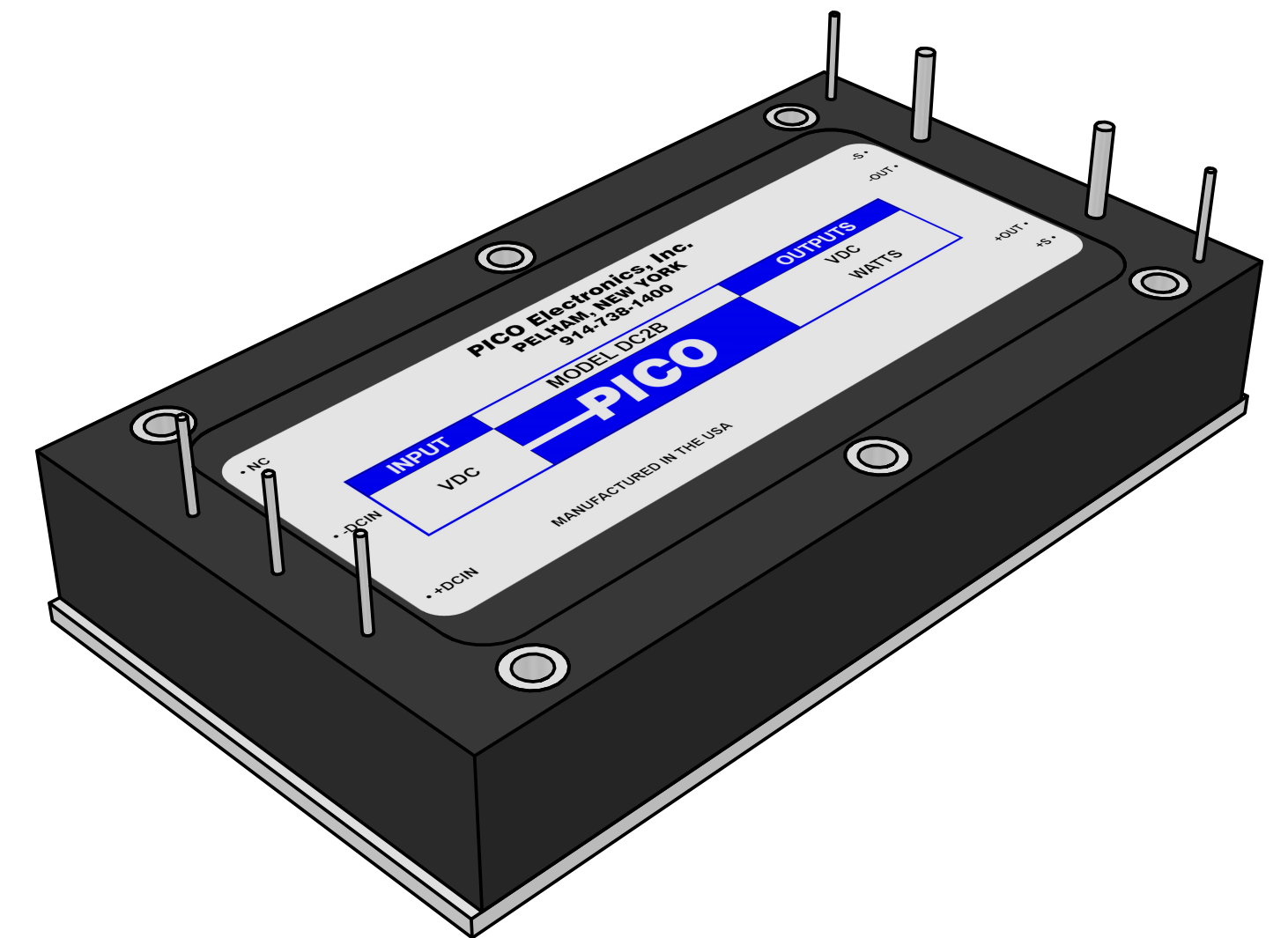
- a. ALL DIMENSIONS ARE IN INCHES, [ ] = MM
- b. RECOMMENDED TORQUE FOR MOUNTING SCREWS: 6-9 INCH-LBS
- c. OUTPUT VOLTAGE MODELS ABOVE 48VDC DO NOT HAVE OUTPUT SENSE TERMINALS #6 AND 7



PIN	FUNCTION	PIN DIA.
1	+IN	.040
2	-IN	.040
3	NO CONNECTION	.040
4	-OUT	.080
5	+OUT	.080
6	-SENSE	.040
7	+SENSE	.040



**BOTTOM VIEW**



**PROPRIETARY AND CONFIDENTIAL**  
 THE INFORMATION CONTAINED IN THIS DRAWING IS THE SOLE PROPERTY OF  
 PICO ELECTRONICS INC. ANY REPRODUCTION IN PART OR AS A WHOLE WITHOUT THE WRITTEN  
 PERMISSION OF PICO ELECTRONICS INC. IS PROHIBITED

DRAWN	P.PALUCH	<b>PICO</b>	143 Sparks Ave	
CHECKED	H. VIDAURRE		Village of Pelham, NY 10803	
QA		<b>Electronics</b>		
MFG		<b>SERIES DC2B</b>		
APPROVED		SIZE	DWG NO	REV
REVISION DATE	06/06/2023	C		1
		SCALE	NTS	www.picoelectronics.com