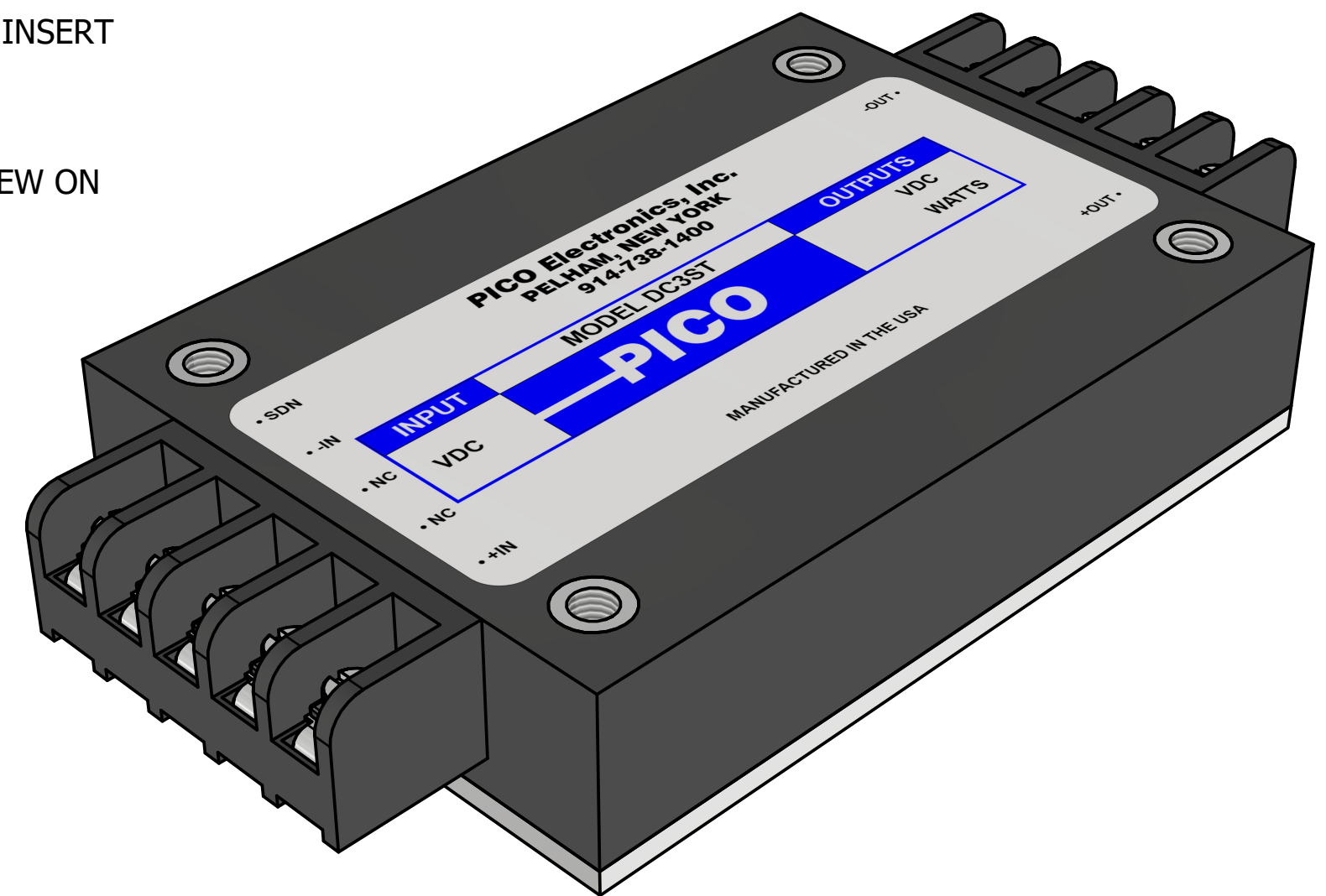
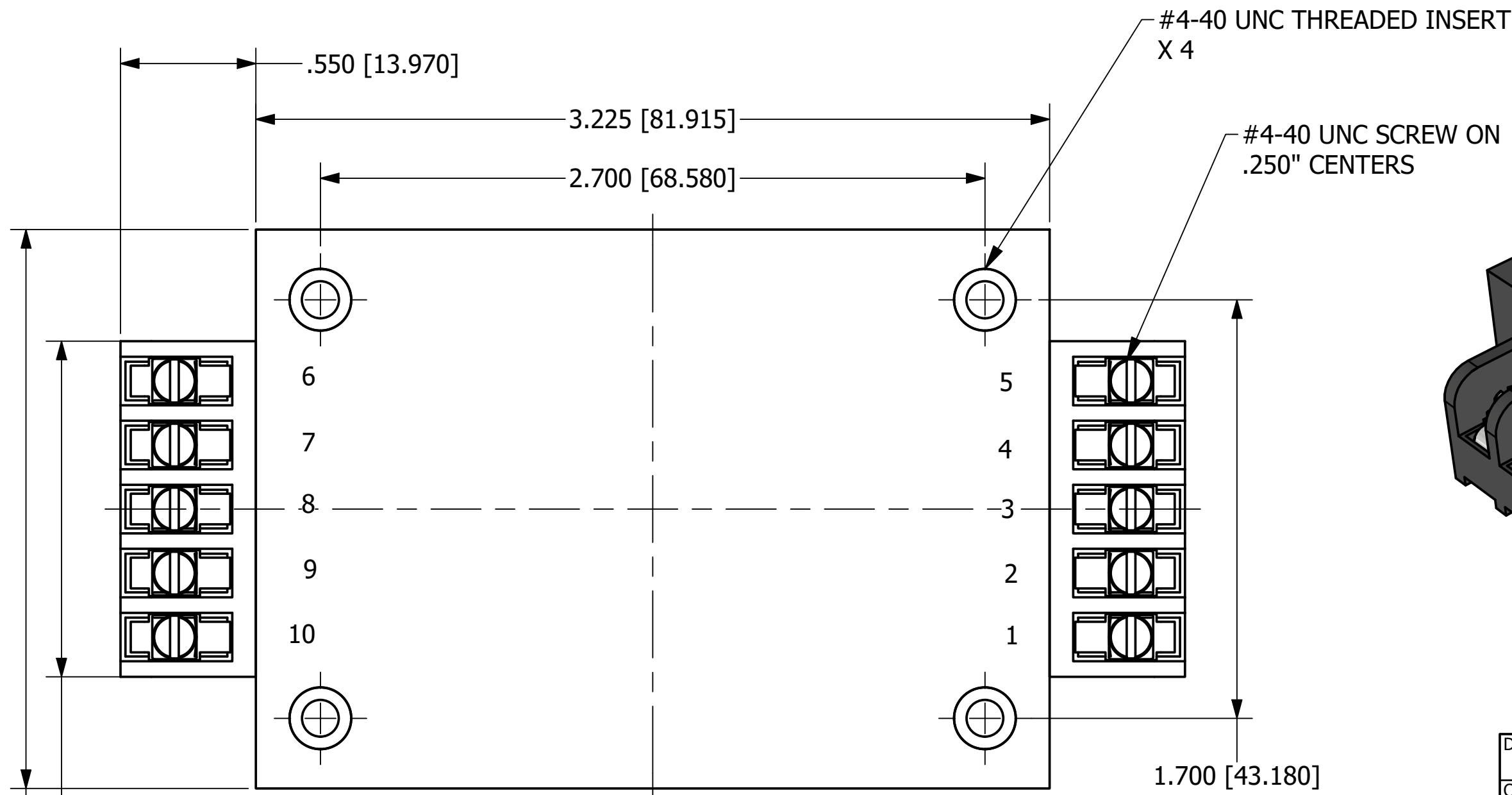
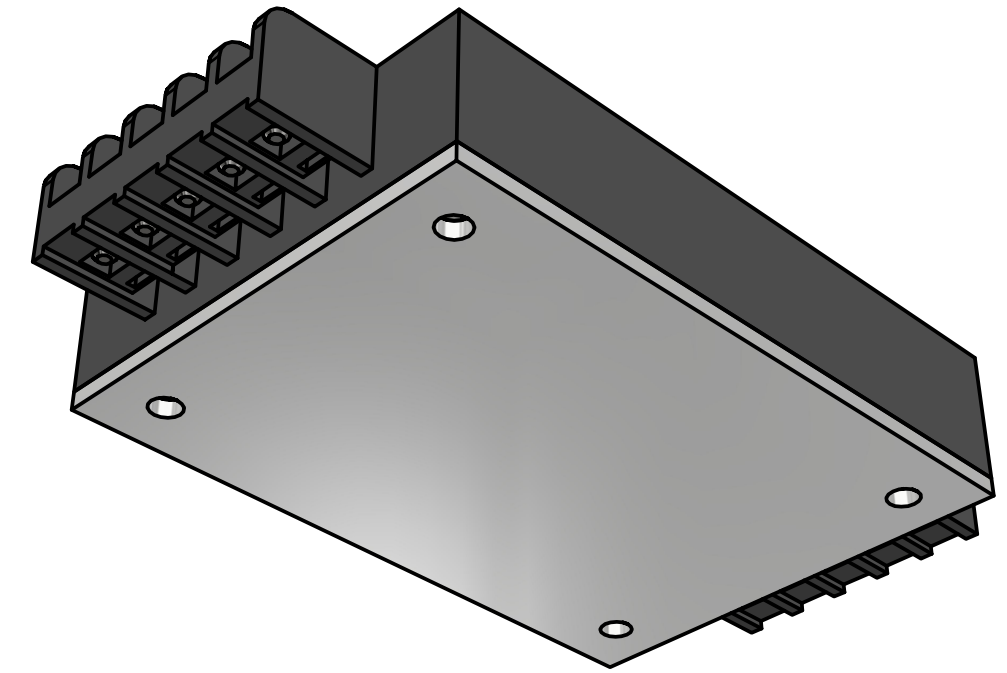


PIN	FUNCTION [V OUT ≤ 48V]	FUNCTION [V OUT ≥ 100V]
1	+OUT	+OUT
2	+OUT	NC
3	NC	NC
4	-OUT	NC
5	-OUT	-OUT
6	SDN	SDN
7	-IN	-IN
8	NC	NC
9	NC	NC
10	+IN	+IN

NOTES

- a. ALL DIMENSIONS ARE IN INCHES, [] = MM
- b. RECOMMENDED TORQUE FOR MOUNTING SCREWS: 6-9 INCH-LBS



TOP VIEW

PROPRIETARY AND CONFIDENTIAL

THE INFORMATION CONTAINED IN THIS DRAWING IS THE SOLE PROPERTY OF PICO ELECTRONICS INC. ANY REPRODUCTION IN PART OR AS A WHOLE WITHOUT THE WRITTEN PERMISSION OF PICO ELECTRONICS INC. IS PROHIBITED

DRAWN	P.PALUCH	PICO Electronics	143 Sparks Ave Village of Pelham, NY 10803	
CHECKED	H. VIDAURRE			
QA		SERIES DC3 - ST - SINGLE		
MFG				
APPROVED		SIZE	DWG NO	REV
REVISION DATE	06/06/2023	C		1
		SCALE	NTS	www.picoelectronics.com