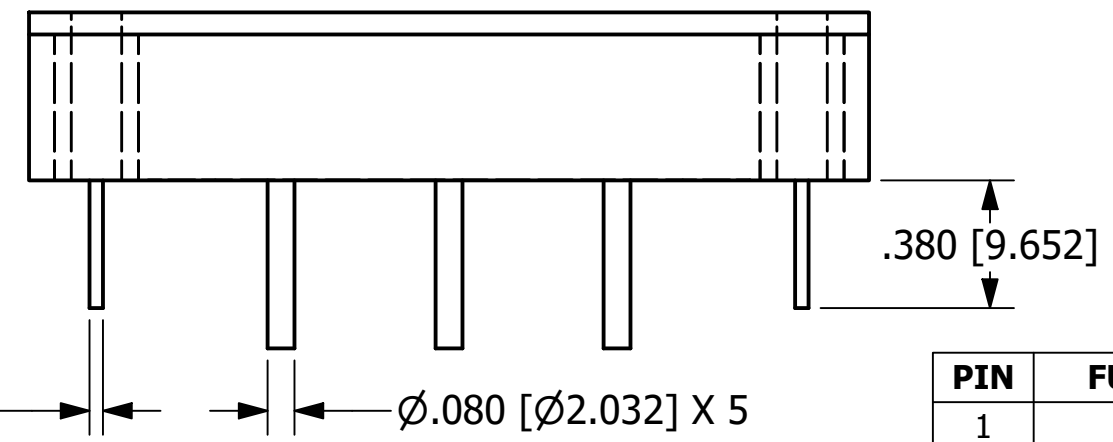
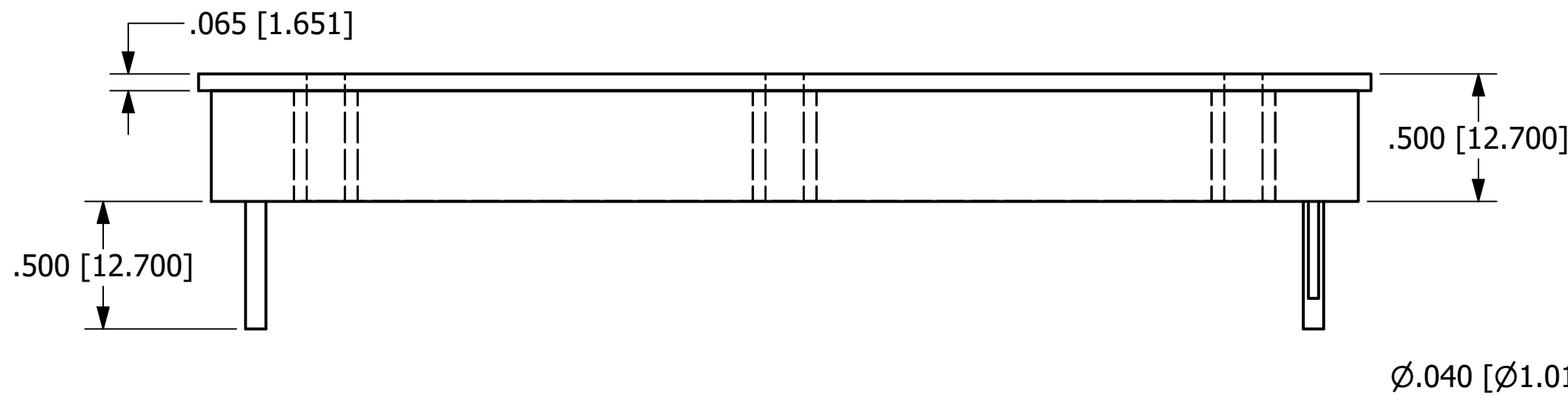
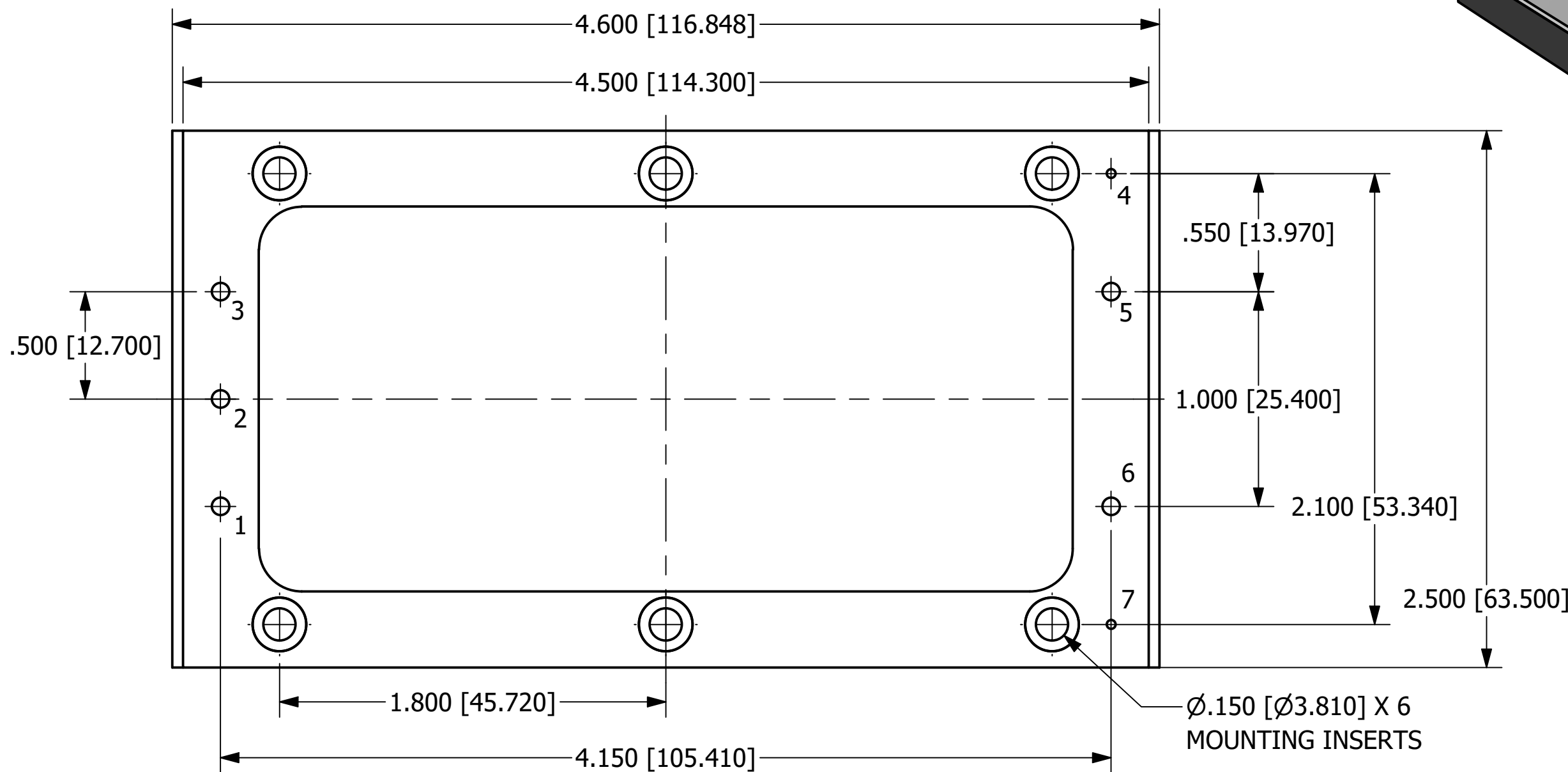
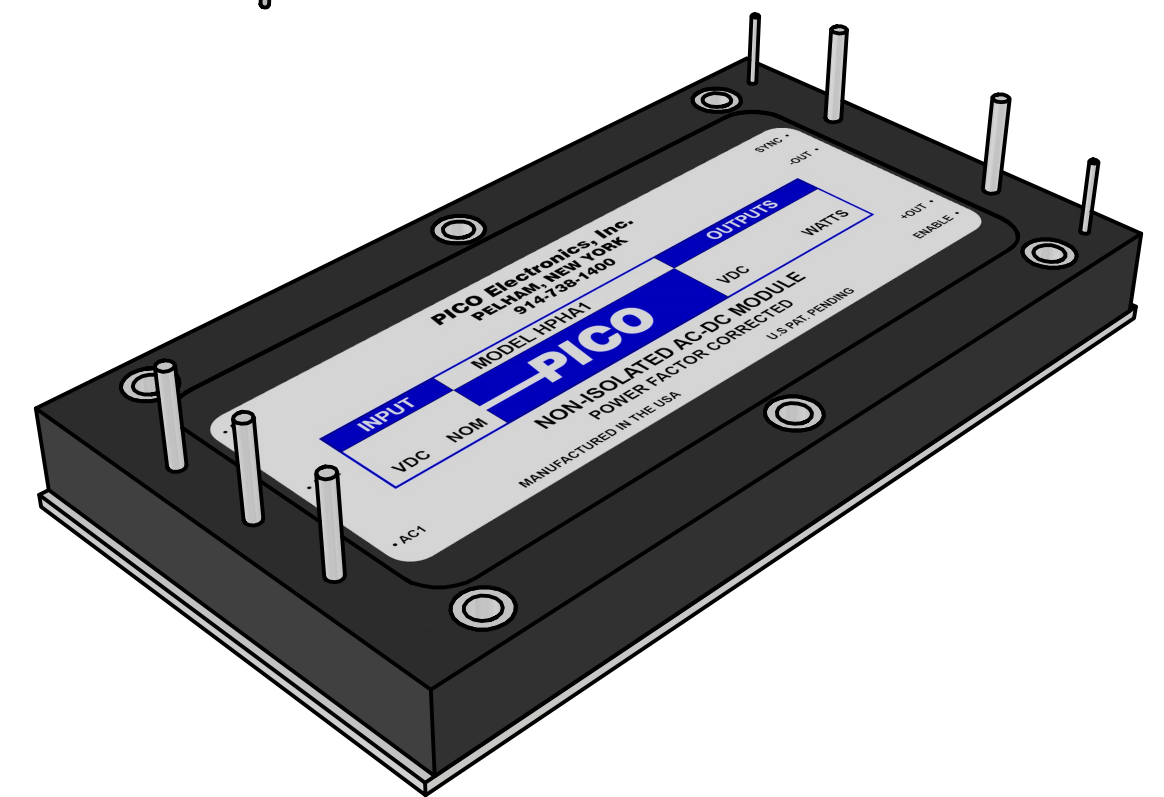
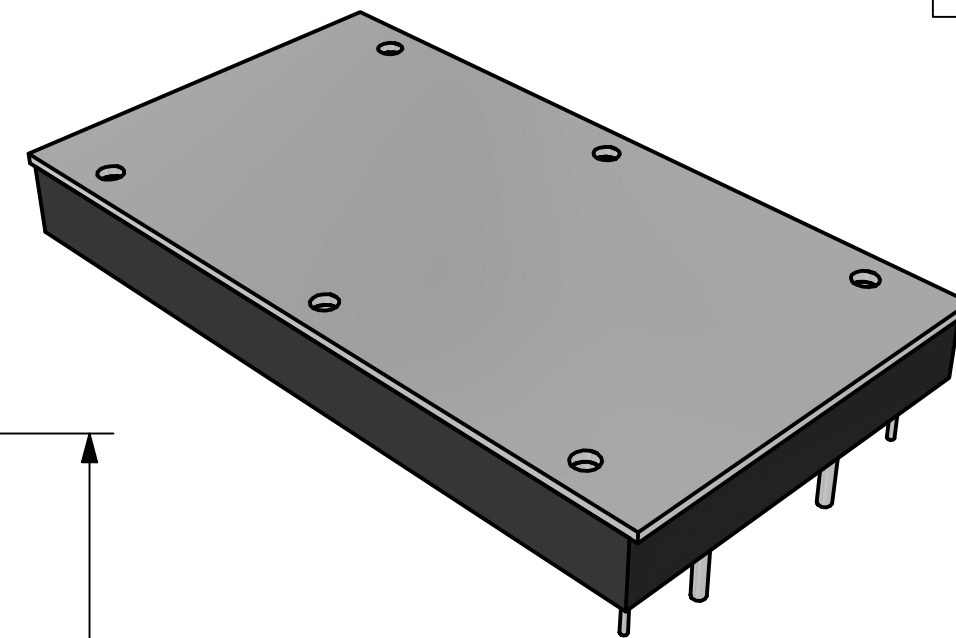


**NOTES**

- a. ALL DIMENSIONS ARE IN INCHES, [ ] = MM
- b. RECOMMENDED TORQUE FOR MOUNTING SCREWS: 6-9 INCH-LBS
- c. EXTERNAL CAPACITOR REQUIRED ACROSS TERMINALS 5 AND 6



PIN	FUNCTION	PIN DIAMETER
1	AC IN	.080 [2.032]
2	AC IN	.080 [2.032]
3	AC IN	.080 [2.032]
4	SYNC.	.040 [1.016]
5	-DC OUT	.080 [2.032]
6	+DC OUT	.080 [2.032]
7	ENABLE OUT	.040 [1.016]



**BOTTOM VIEW**

**PROPRIETARY AND CONFIDENTIAL**  
 THE INFORMATION CONTAINED IN THIS DRAWING IS THE SOLE PROPERTY OF PICO ELECTRONICS INC. ANY REPRODUCTION IN PART OR AS A WHOLE WITHOUT THE WRITTEN PERMISSION OF PICO ELECTRONICS INC. IS PROHIBITED

DRAWN	P.PALUCH	<b>PICO</b> Electronics	143 Sparks Ave Village of Pelham, NY 10803	
CHECKED	H. VIDAURRE			
QA		<b>SERIES HPHA1</b>		
MFG				
APPROVED		SIZE	DWG NO	REV
REVISION DATE	06/06/2023	C		1
		SCALE	NTS	www.picoelectronics.com