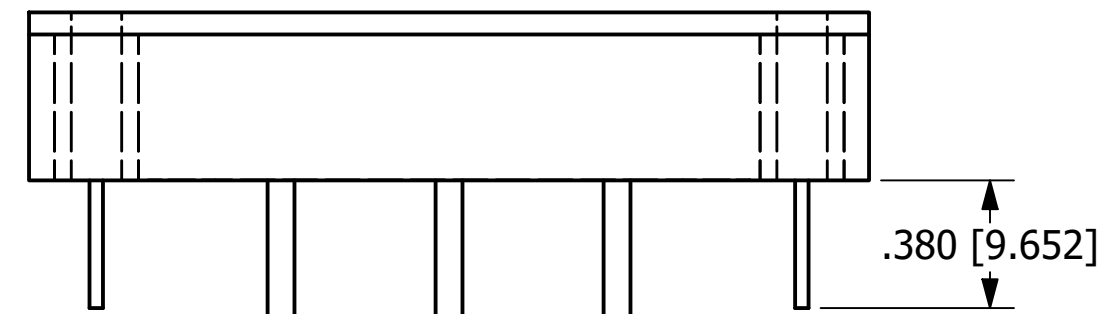
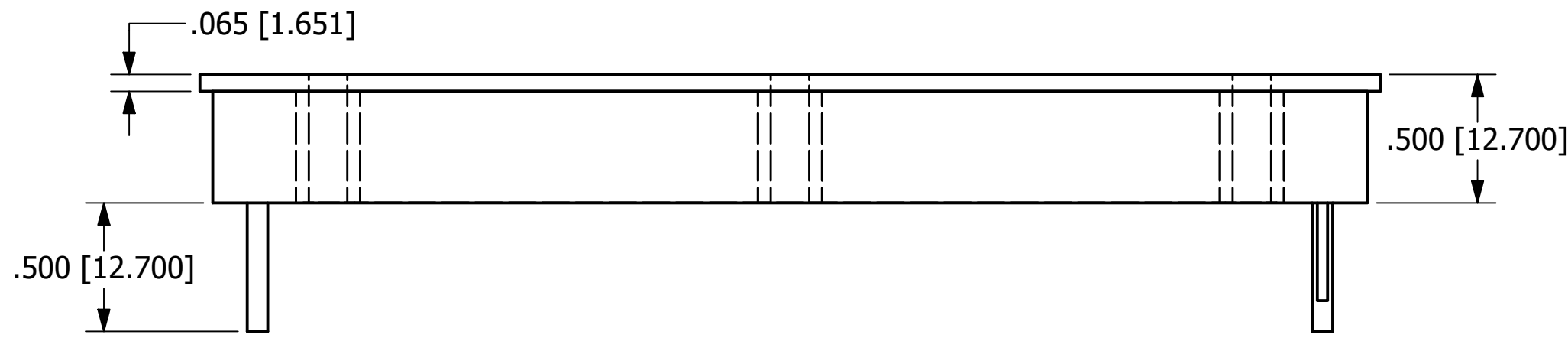


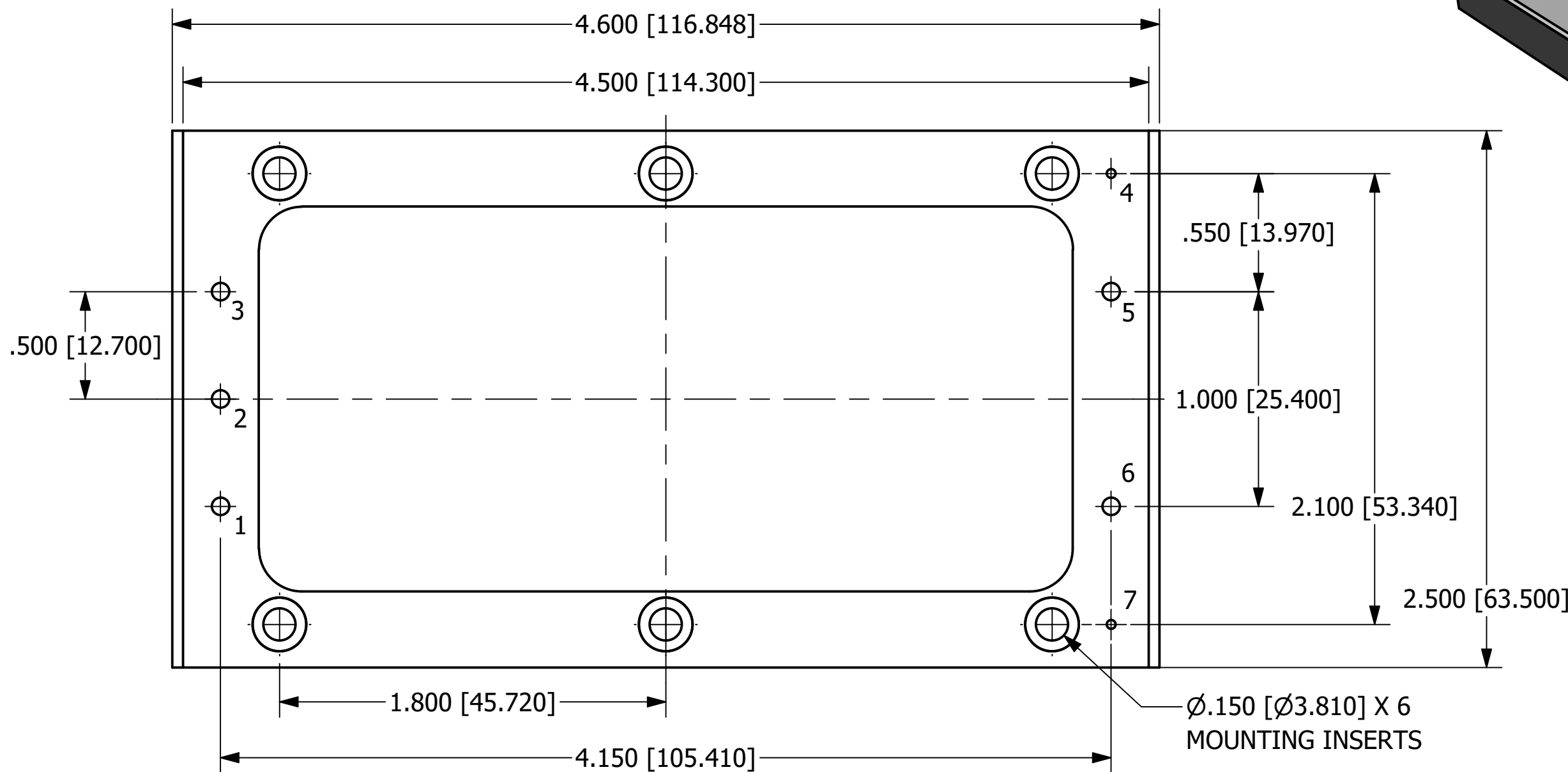
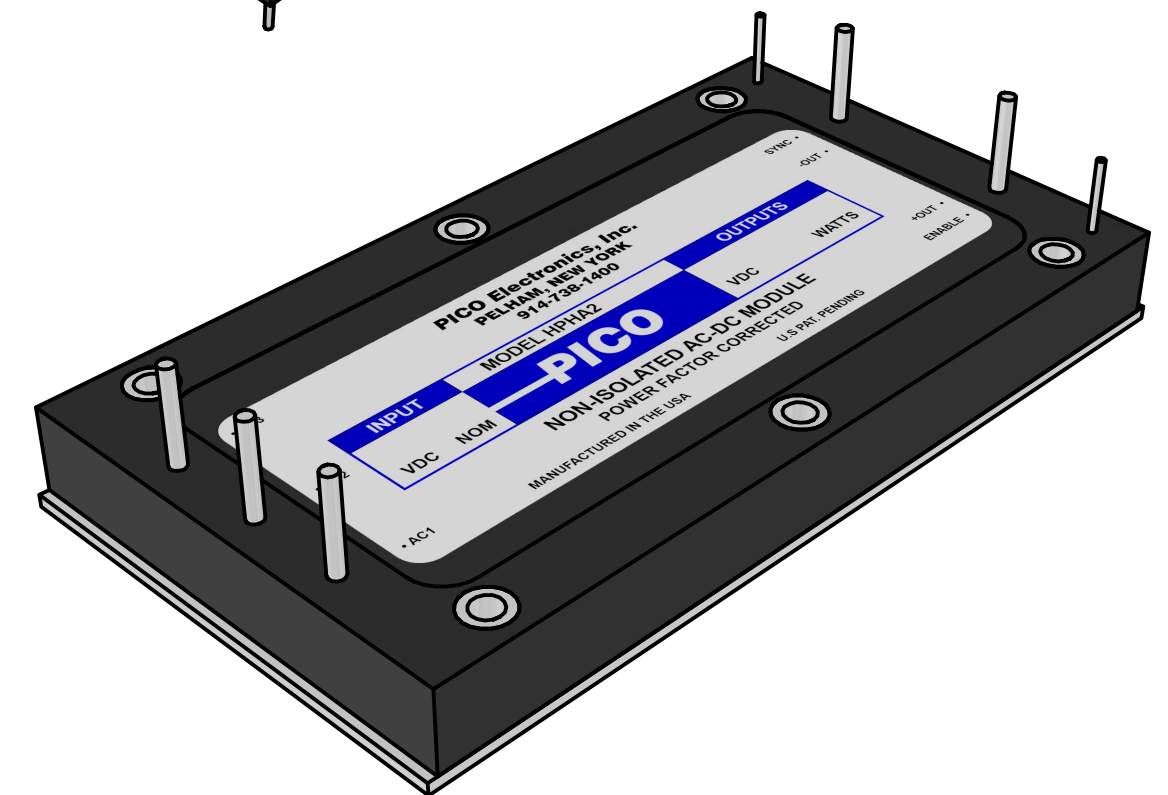
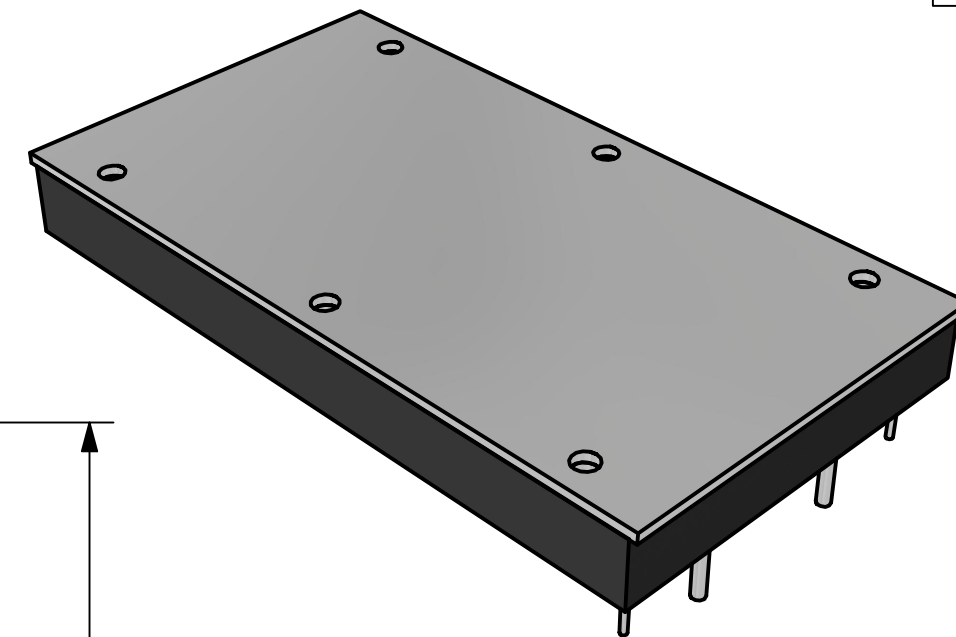
NOTES

- a. ALL DIMENSIONS ARE IN INCHES, [] = MM
- b. RECOMMENDED TORQUE FOR MOUNTING SCREWS: 6-9 INCH-LBS
- c. EXTERNAL CAPACITOR REQUIRED ACROSS TERMINALS 5 AND 6



Ø.040 [Ø1.016] X 2 Ø.080 [Ø2.032] X 5

PIN	FUNCTION	PIN DIAMETER
1	AC IN	.080 [2.032]
2	AC IN	.080 [2.032]
3	AC IN	.080 [2.032]
4	SYNC.	.040 [1.016]
5	-DC OUT	.080 [2.032]
6	+DC OUT	.080 [2.032]
7	ENABLE OUT	.040 [1.016]



BOTTOM VIEW

PROPRIETARY AND CONFIDENTIAL

THE INFORMATION CONTAINED IN THIS DRAWING IS THE SOLE PROPERTY OF PICO ELECTRONICS INC. ANY REPRODUCTION IN PART OR AS A WHOLE WITHOUT THE WRITTEN PERMISSION OF PICO ELECTRONICS INC. IS PROHIBITED

DRAWN	P.PALUCH	PICO Electronics	143 Sparks Ave Village of Pelham, NY 10803	
CHECKED	H. VIDAURRE			
QA		SERIES HPHA2		
MFG				
APPROVED		SIZE	DWG NO	REV
REVISION DATE	06/06/2023	C		1
		SCALE	NTS	www.picoelectronics.com