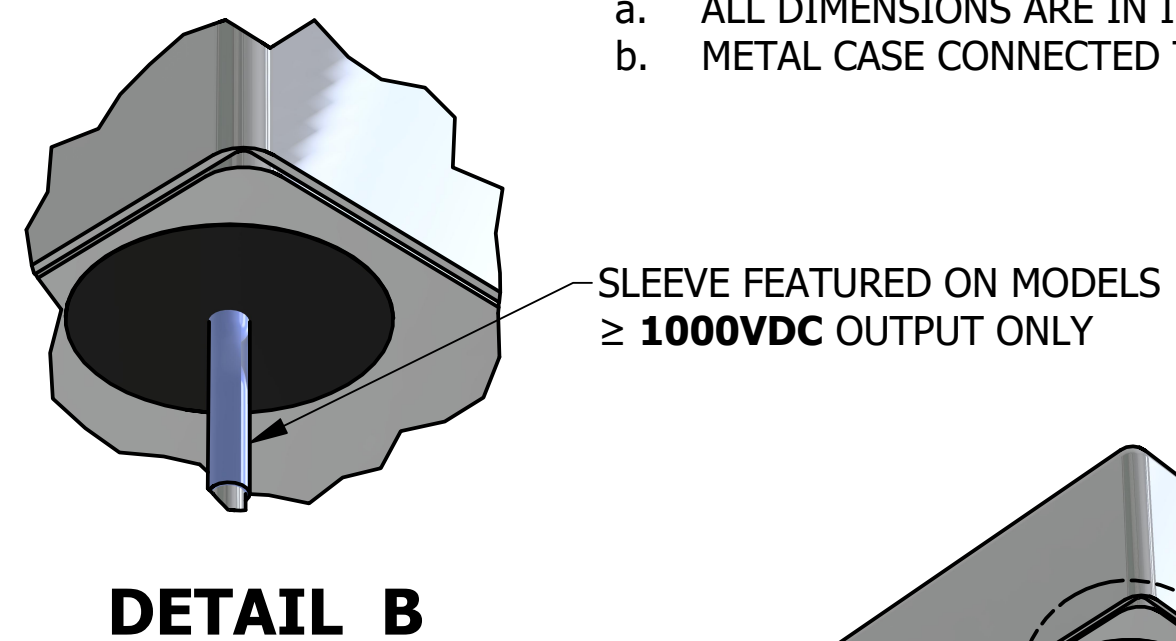
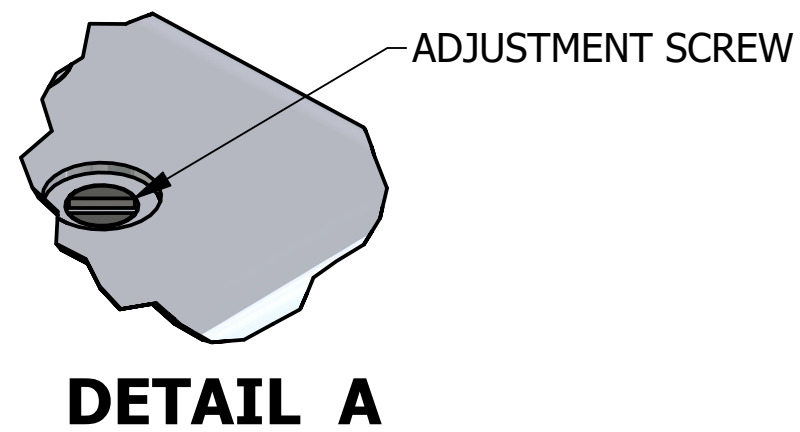
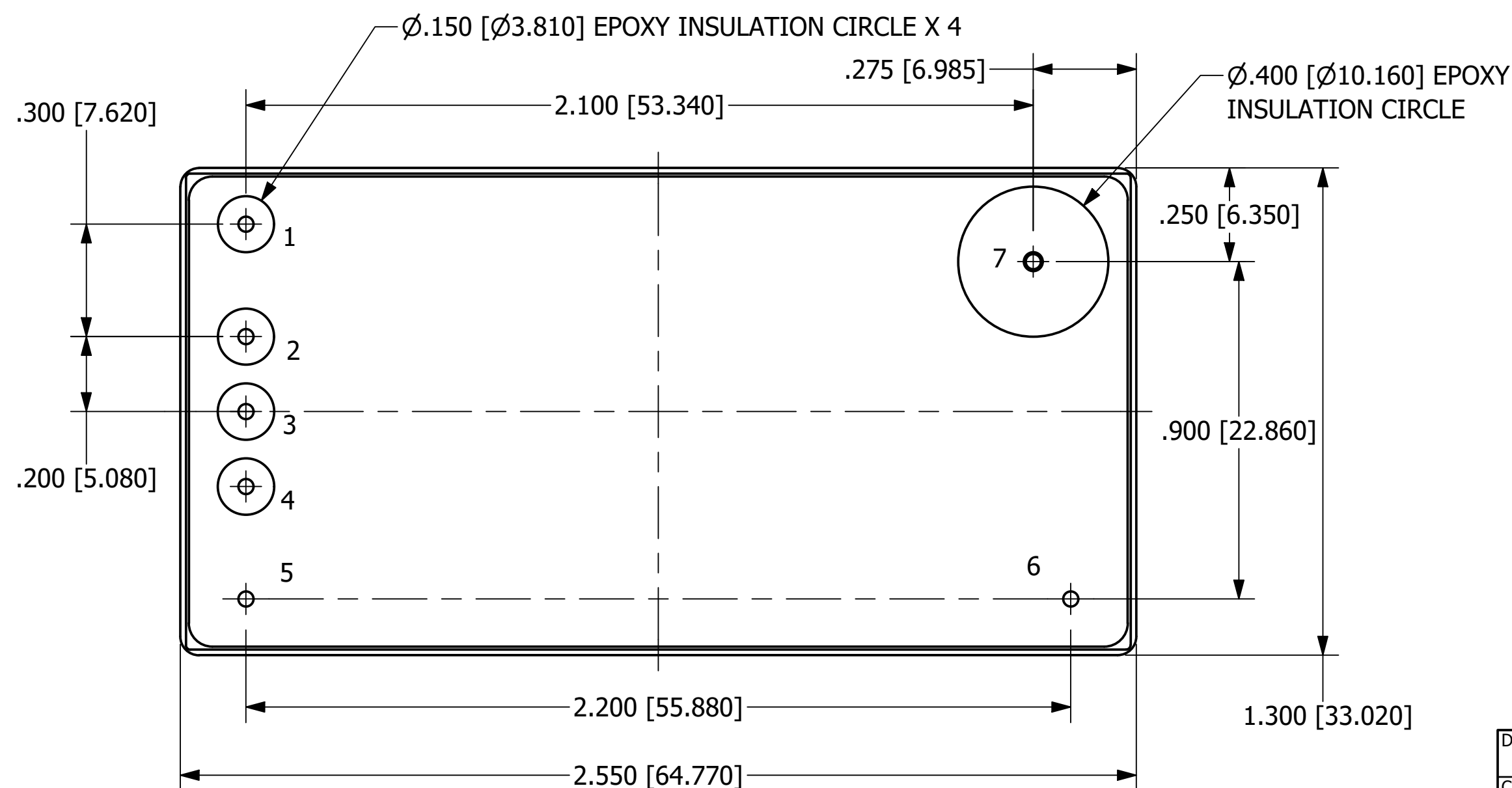
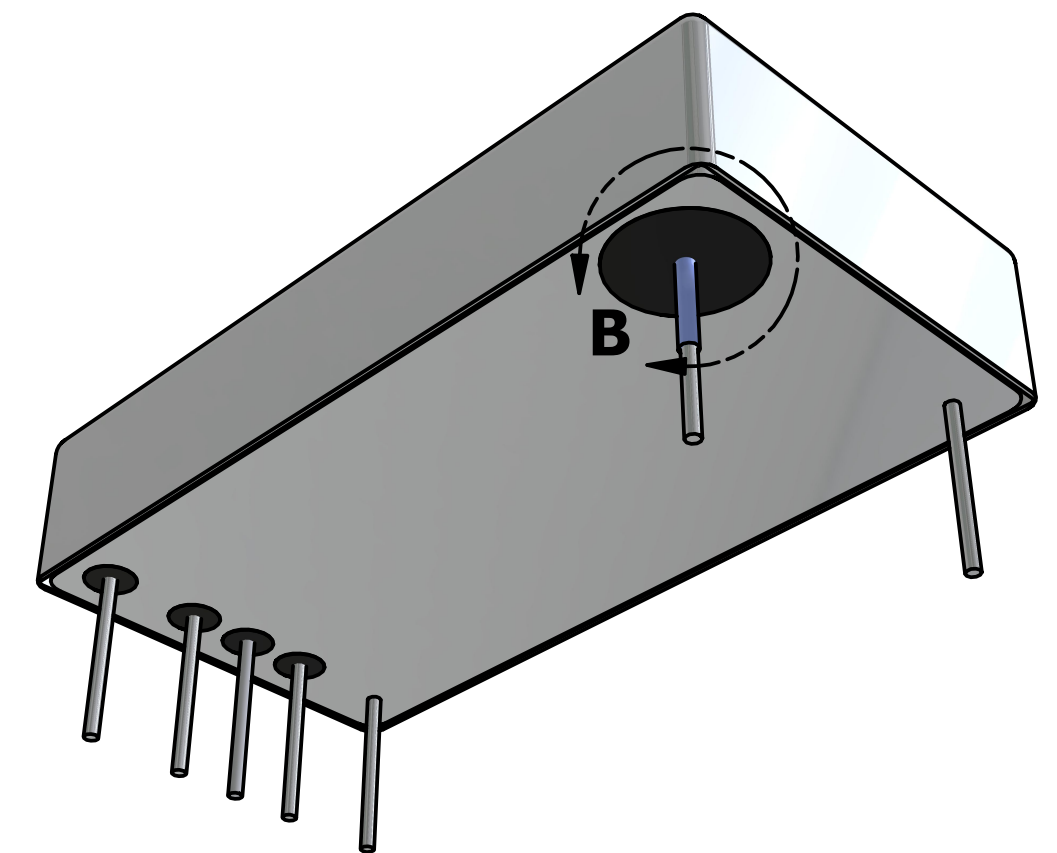
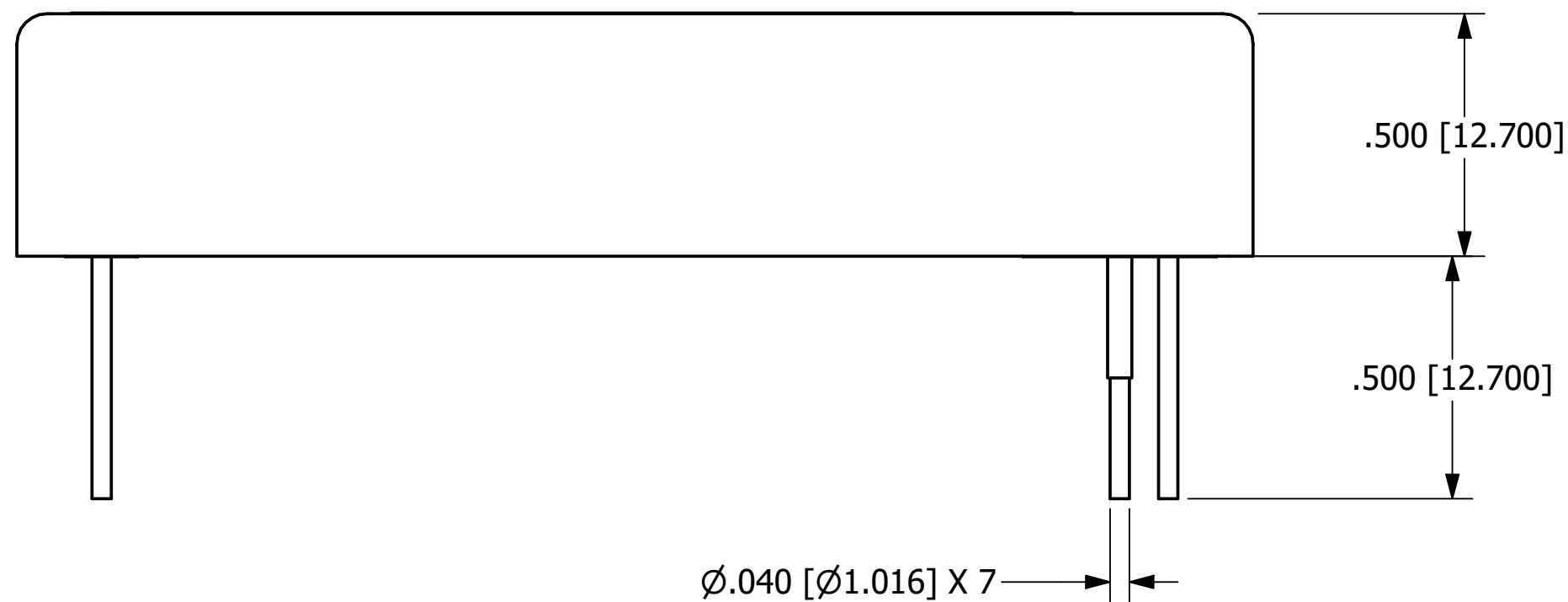


PIN NO.	FUNCTION
1	+IN
2	MON
3	REF
4	PROG
5	COM IN
6	COM OUT
7	OUT



NOTES

- a. ALL DIMENSIONS ARE IN INCHES, [] = MM
- b. METAL CASE CONNECTED TO PIN NUMBERS 5 & 6



BOTTOM VIEW

PROPRIETARY AND CONFIDENTIAL

THE INFORMATION CONTAINED IN THIS DRAWING IS THE SOLE PROPERTY OF PICO ELECTRONICS INC. ANY REPRODUCTION IN PART OR AS A WHOLE WITHOUT THE WRITTEN PERMISSION OF PICO ELECTRONICS INC. IS PROHIBITED

DRAWN	P.PALUCH	PICO Electronics	143 Sparks Ave Village of Pelham, NY 10803	
CHECKED	H. VIDAURRE			
QA		SERIES HVP		
MFG				
APPROVED		SIZE	DWG NO	REV
REVISION DATE	06/06/2023	C		1
		SCALE	NTS	www.picoelectronics.com