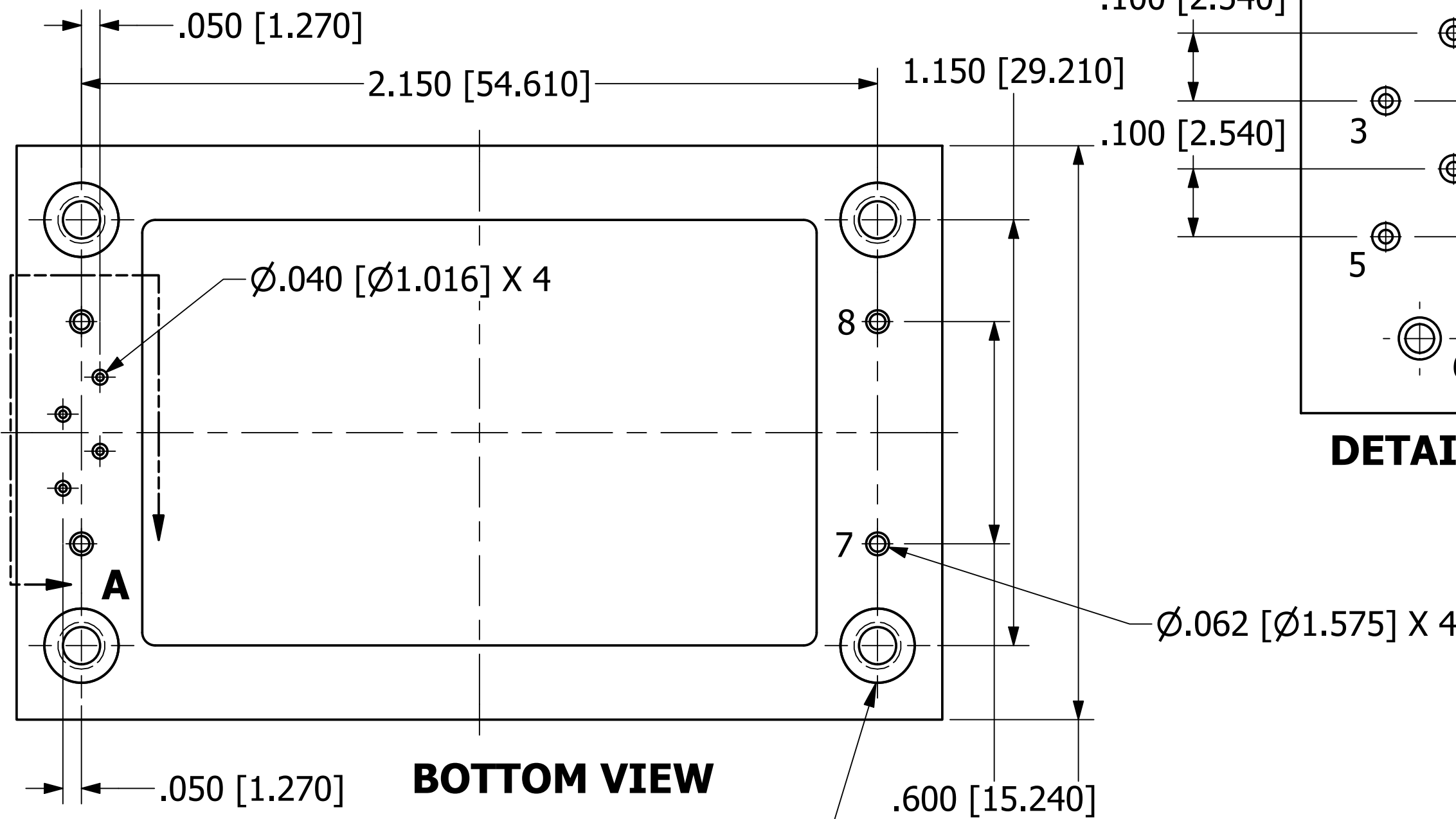
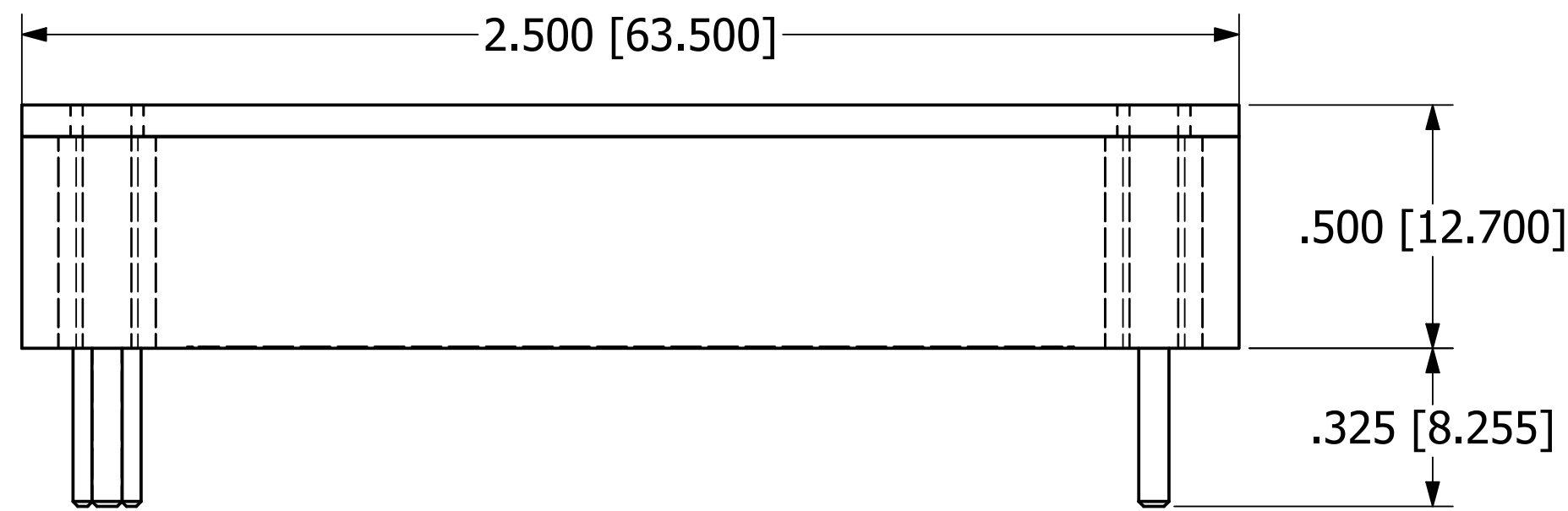


**NOTES**

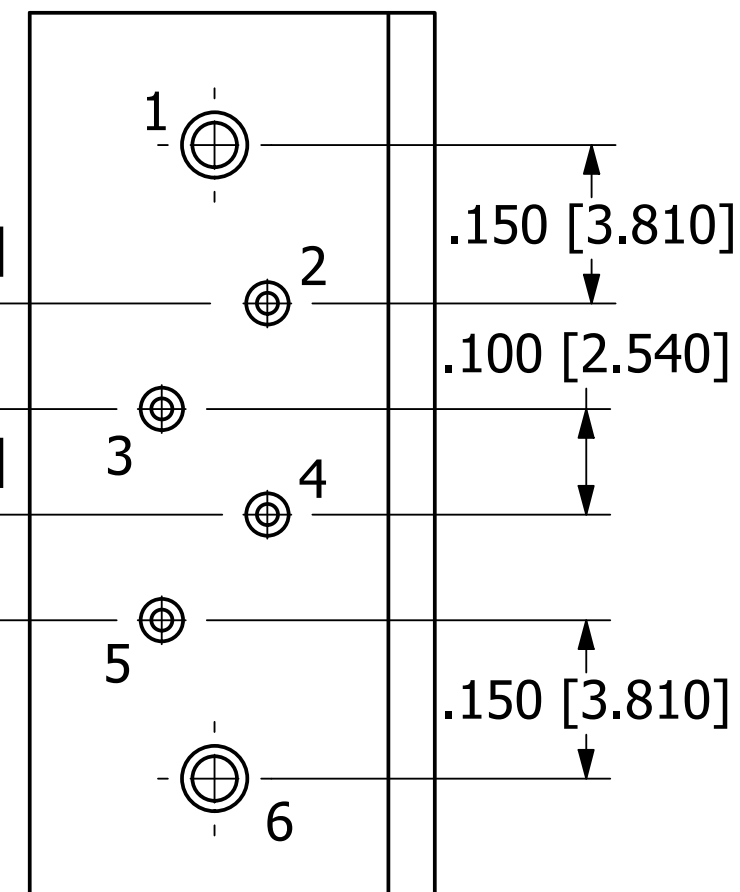
- a. ALL DIMENSIONS ARE IN INCHES, [ ] = MM
- b. RECOMMENDED TORQUE FOR MOUNTING SCREWS: 3-5 INCH-LBS

PIN NO.	FUNCTION	PIN DIA.
1	-IN	.062
2	SHDN	.040
3	VREF	.040
4	TRIM	.040
5	LDSH	.040
6	+IN	.062
7	+OUT	.062
8	-OUT	.062

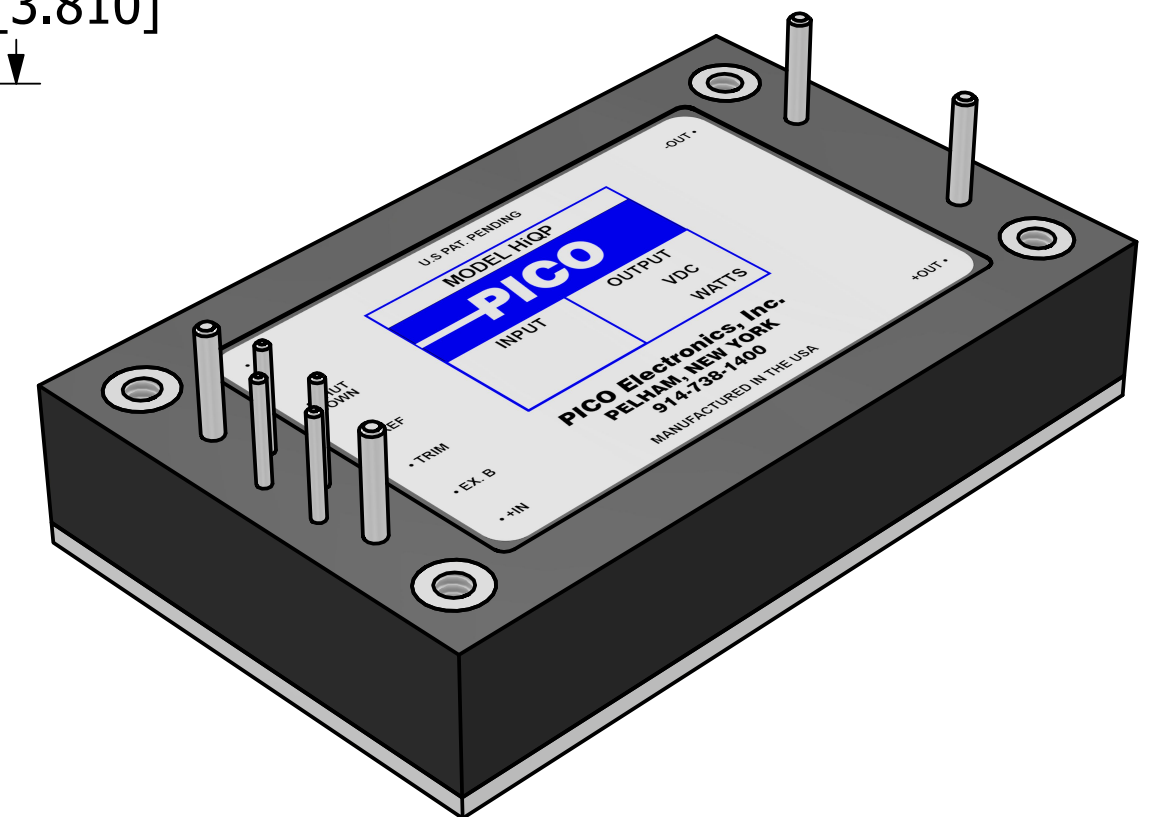
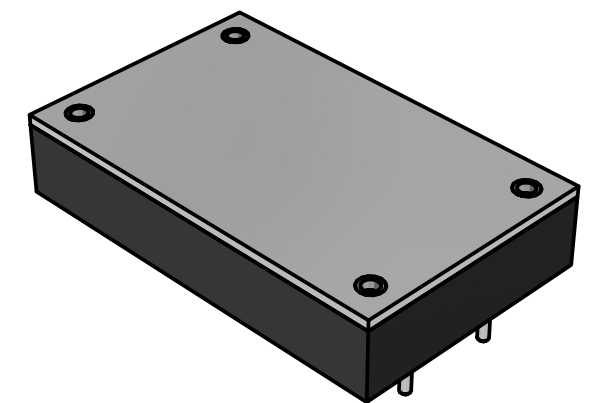


**BOTTOM VIEW**

4-40 THREADED  
INSERT X 4



**DETAIL A**



**PROPRIETARY AND CONFIDENTIAL**  
THE INFORMATION CONTAINED IN THIS DRAWING IS THE SOLE PROPERTY OF PICO ELECTRONICS INC. ANY REPRODUCTION IN PART OR AS A WHOLE WITHOUT THE WRITTEN PERMISSION OF PICO ELECTRONICS INC. IS PROHIBITED

DRAWN	P.PALUCH	<b>PICO</b> Electronics	143 Sparks Ave Village of Pelham, NY 10803	
CHECKED	H. VIDAURRE			
QA		<b>SERIES HIQP</b>		
MFG				
APPROVED		SIZE	DWG NO	REV
REVISION DATE	06/06/2023	C		1
		SCALE	NTS	www.picoelectronics.com