

4

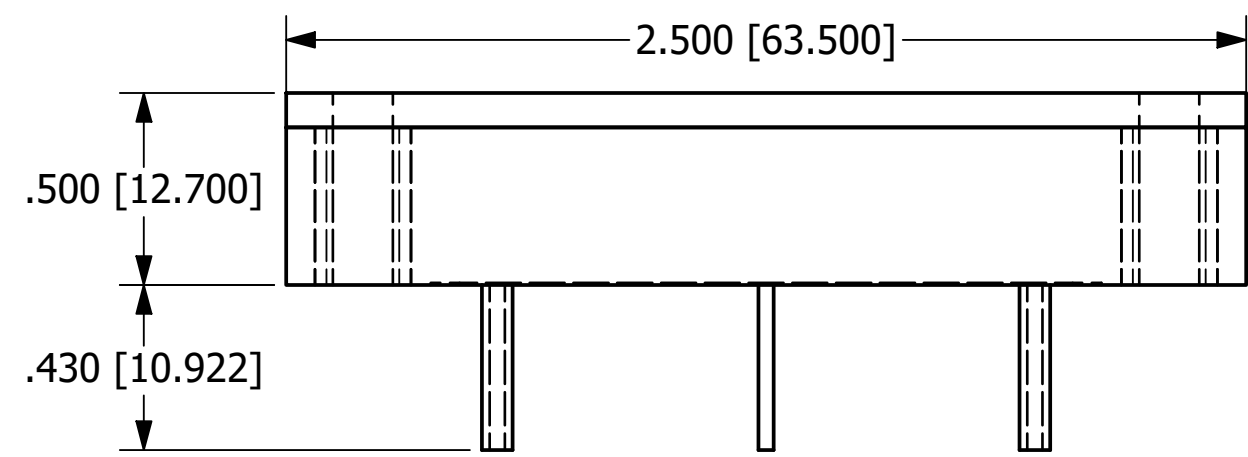
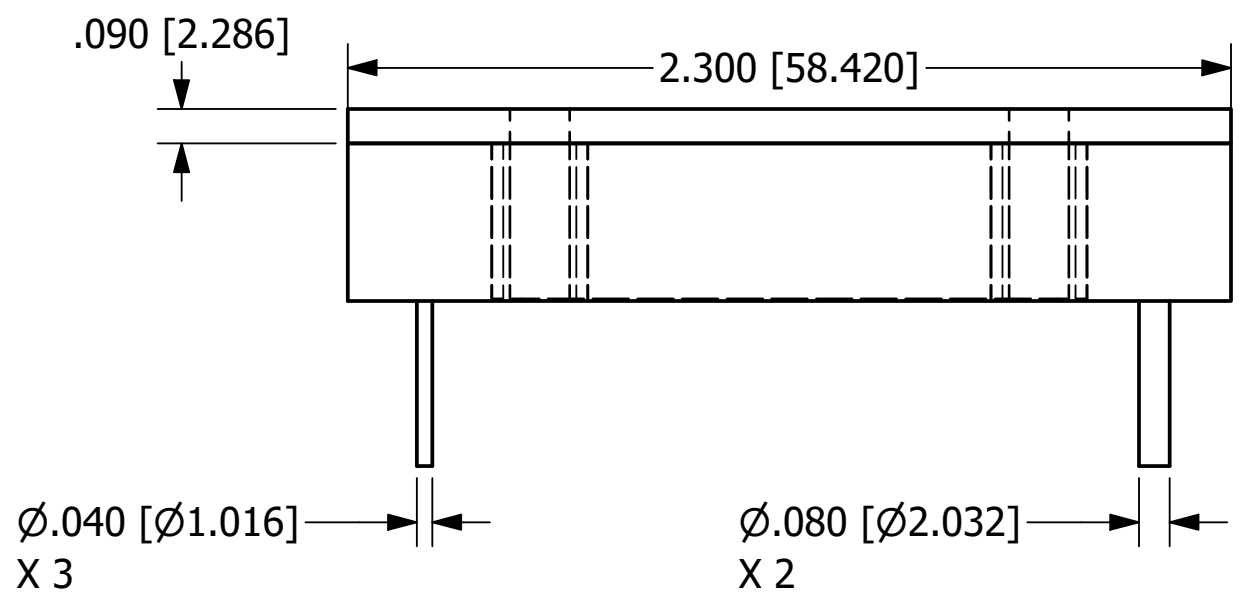
3

2

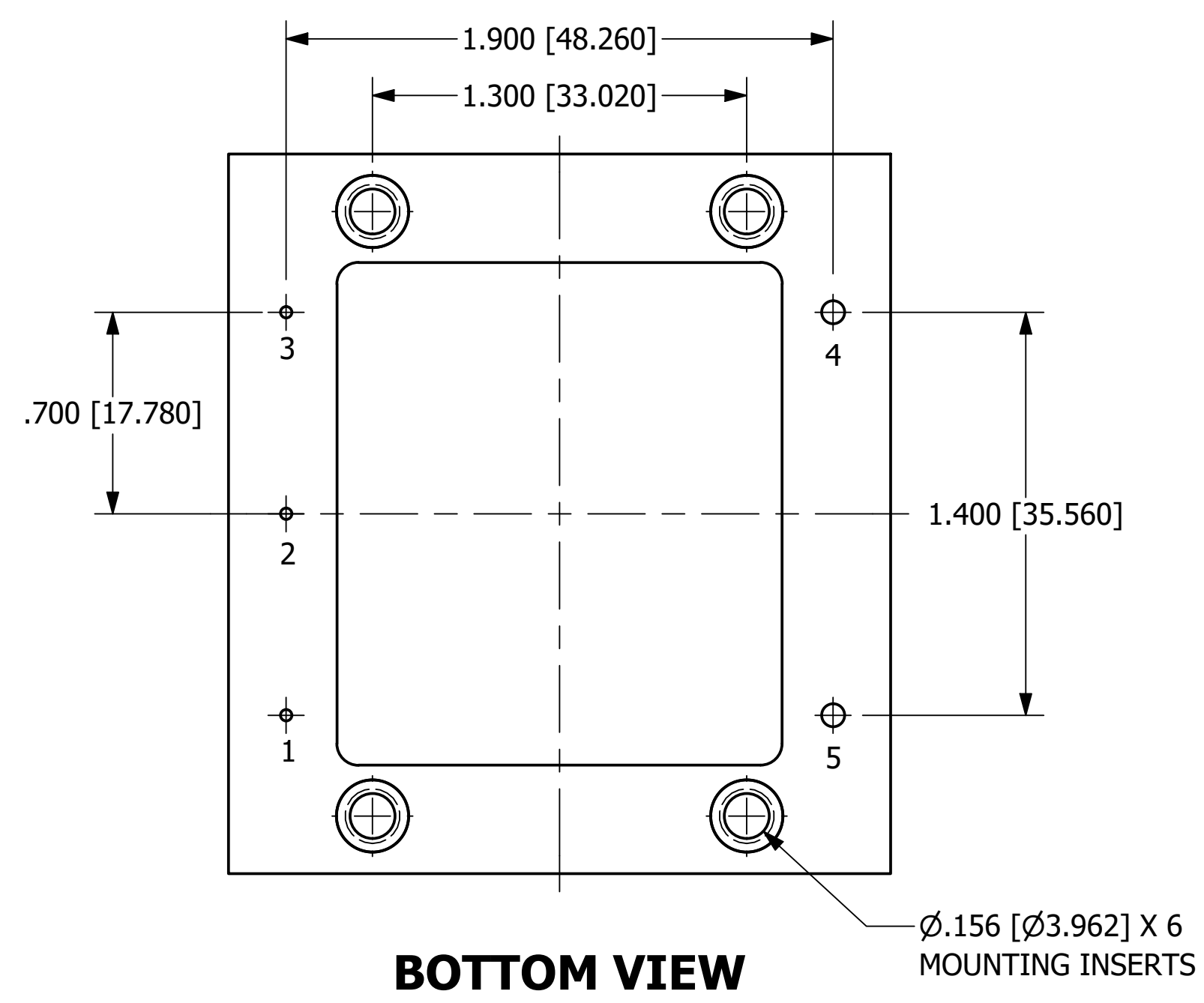
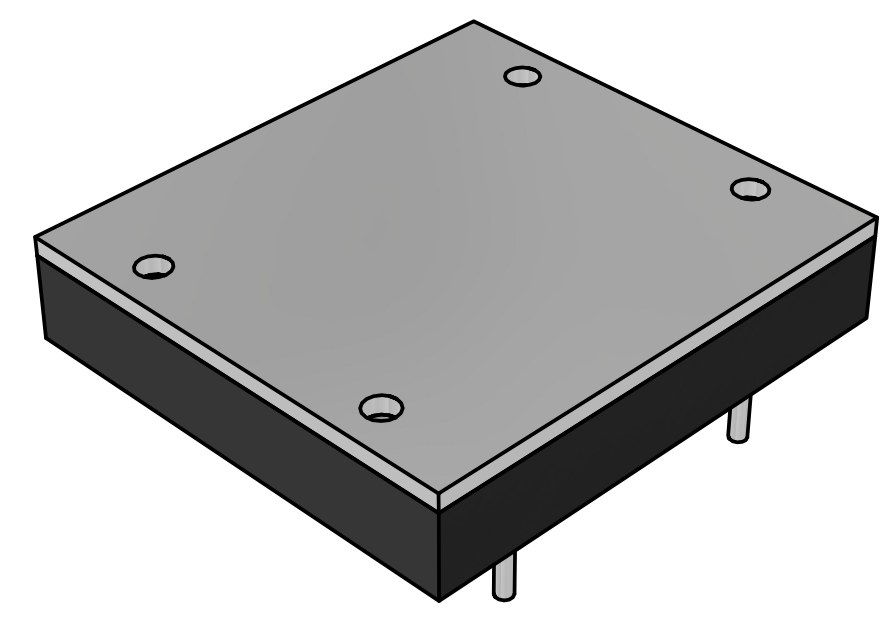
1

NOTES

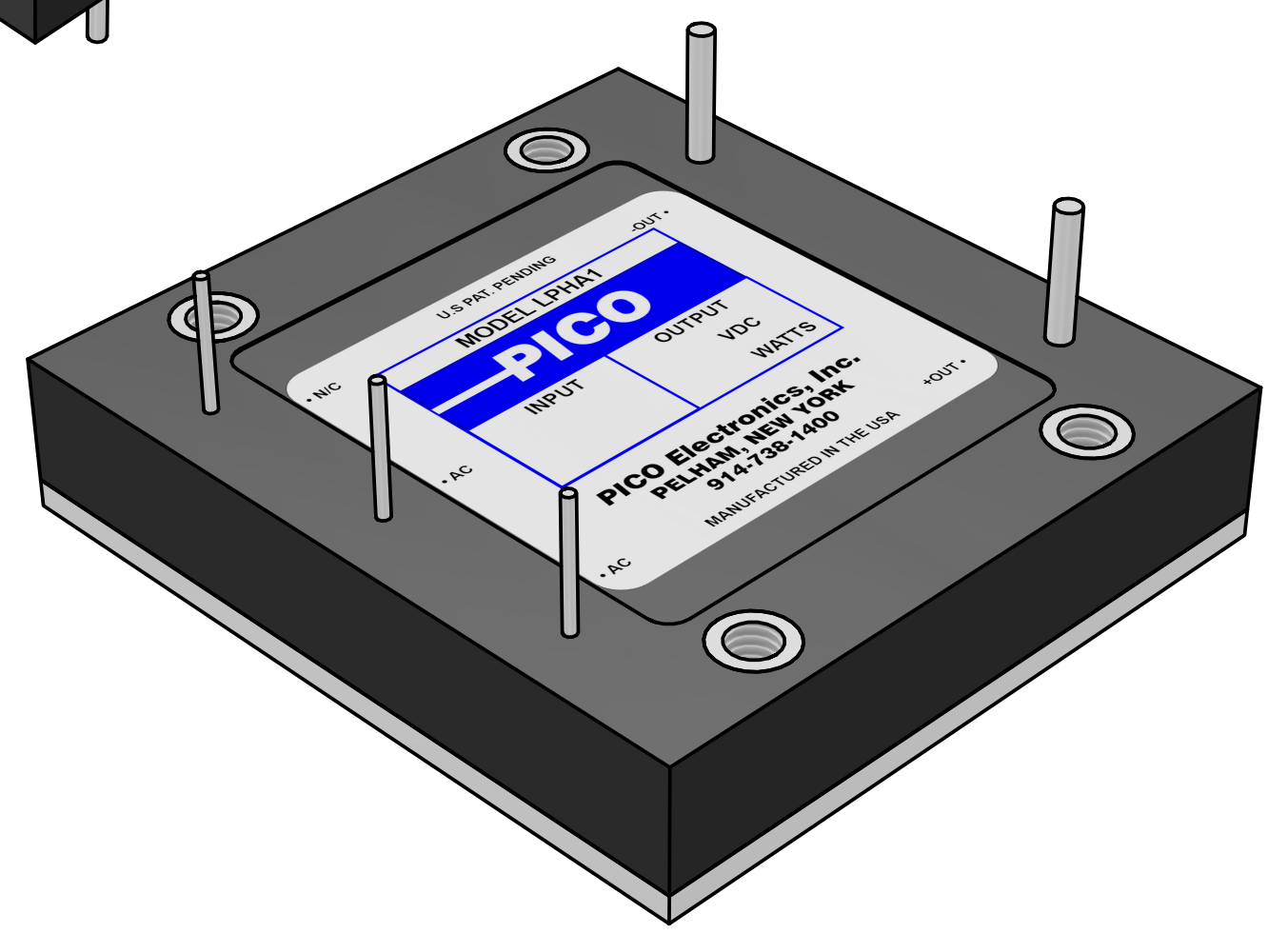
- a. ALL DIMENSIONS ARE IN INCHES, [] = MM
- b. RECOMMENDED TORQUE FOR MOUNTING SCREWS: 6-9 INCH-LBS
- c. EXTERNAL CAPACITOR REQUIRED ACROSS TERMINALS 4 AND 5



PIN	FUNCTION	PIN DIAMETER
1	AC IN	.040 [1.016]
2	AC IN	.040 [1.016]
3	NC	.040 [1.016]
4	V OUT-	.080 [2.032]
5	V OUT+	.080 [2.032]



BOTTOM VIEW



PROPRIETARY AND CONFIDENTIAL
 THE INFORMATION CONTAINED IN THIS DRAWING IS THE SOLE PROPERTY OF PICO ELECTRONICS INC. ANY REPRODUCTION IN PART OR AS A WHOLE WITHOUT THE WRITTEN PERMISSION OF PICO ELECTRONICS INC. IS PROHIBITED

DRAWN	P.PALUCH	PICO	143 Sparks Ave	
CHECKED	H. VIDAURRE		Village of Pelham, NY 10803	
QA		Electronics		
MFG		SERIES LPHA1		
APPROVED				
REVISION DATE	06/06/2023	SIZE	DWG NO	REV
		C		1
		SCALE	NTS	www.picoelectronics.com

4

3

2

1