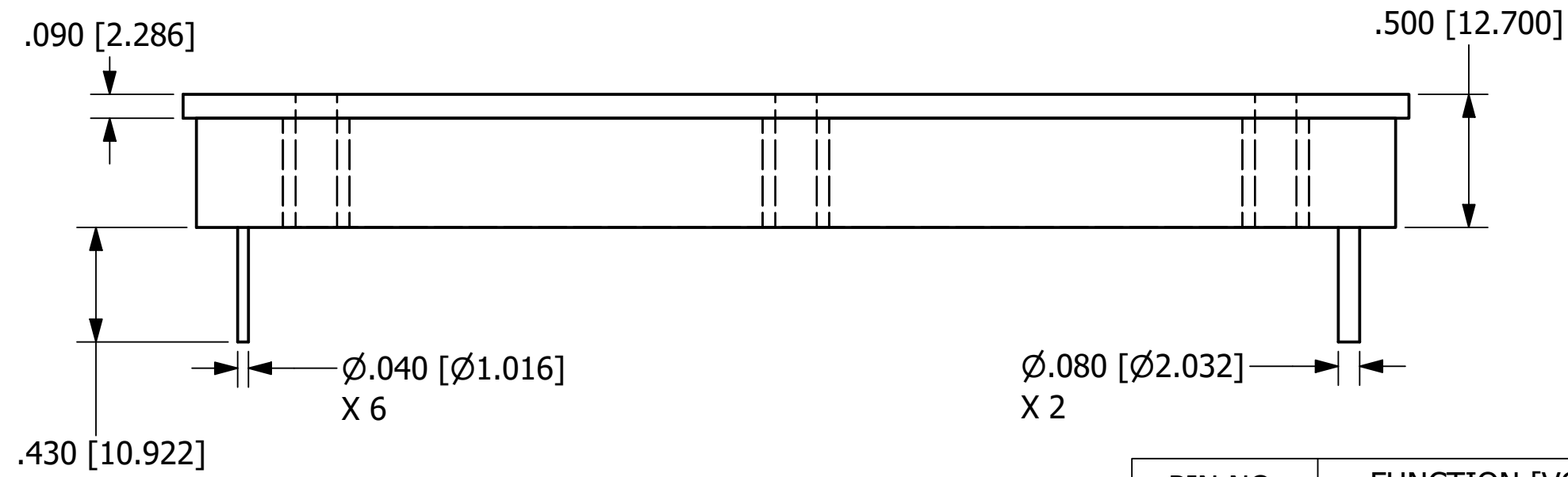
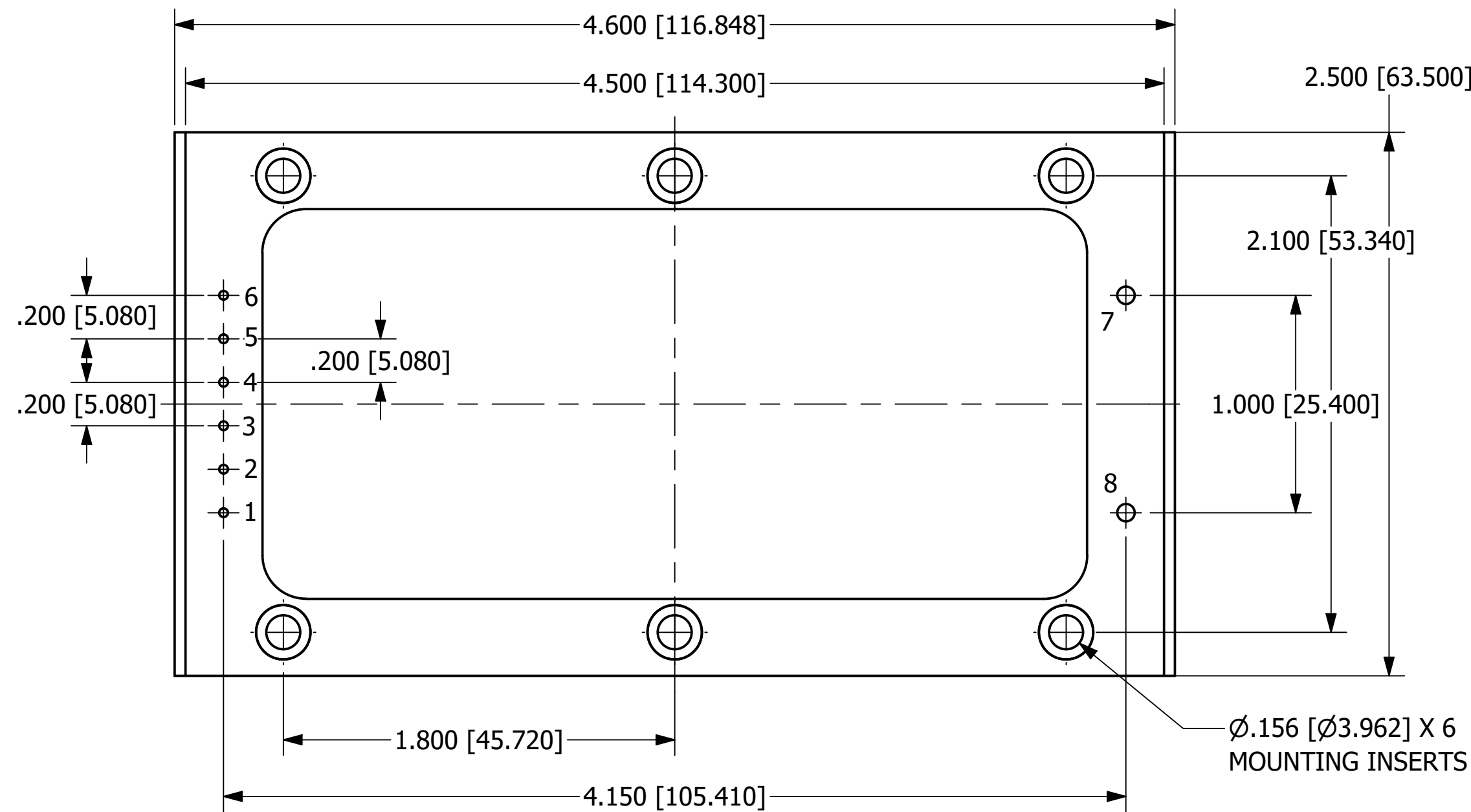
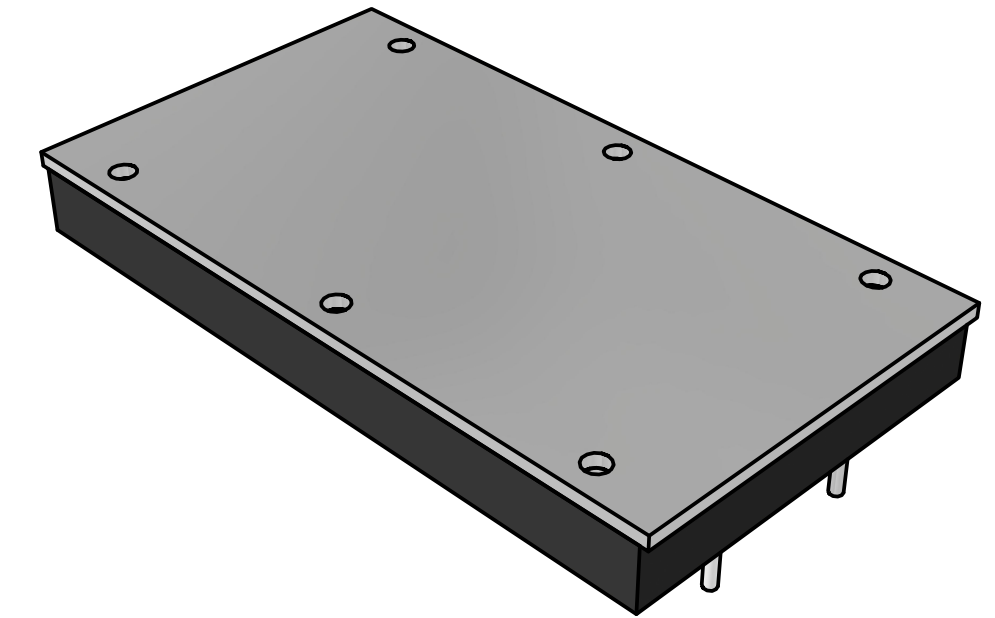


NOTES

- a. ALL DIMENSIONS ARE IN INCHES, [] = MM
- b. RECOMMENDED TORQUE FOR MOUNTING SCREWS: 6-9 INCH-LBS



PIN NO.	FUNCTION [VOUT ≥ 48V]	PIN DIA.
1	+IN	.040
2	TRIM DOWN	.040
3	TRIM	.040
4	TRIM UP	.040
5	SHUT DOWN	.040
6	-IN	.040
7	-OUT	.080
8	+OUT	.080



BOTTOM VIEW



PROPRIETARY AND CONFIDENTIAL
 THE INFORMATION CONTAINED IN THIS DRAWING IS THE SOLE PROPERTY OF
 PICO ELECTRONICS INC. ANY REPRODUCTION IN PART OR AS A WHOLE WITHOUT THE WRITTEN
 PERMISSION OF PICO ELECTRONICS INC. IS PROHIBITED

DRAWN	P.PALUCH	PICO	143 Sparks Ave	
CHECKED	H. VIDAURRE		Village of Pelham, NY 10803	
QA		Electronics		
MFG		SERIES P [ABOVE 48 VDC]		
APPROVED		SIZE	DWG NO	REV
REVISION DATE	06/06/2023	C		1
		SCALE	NTS	www.picoelectronics.com