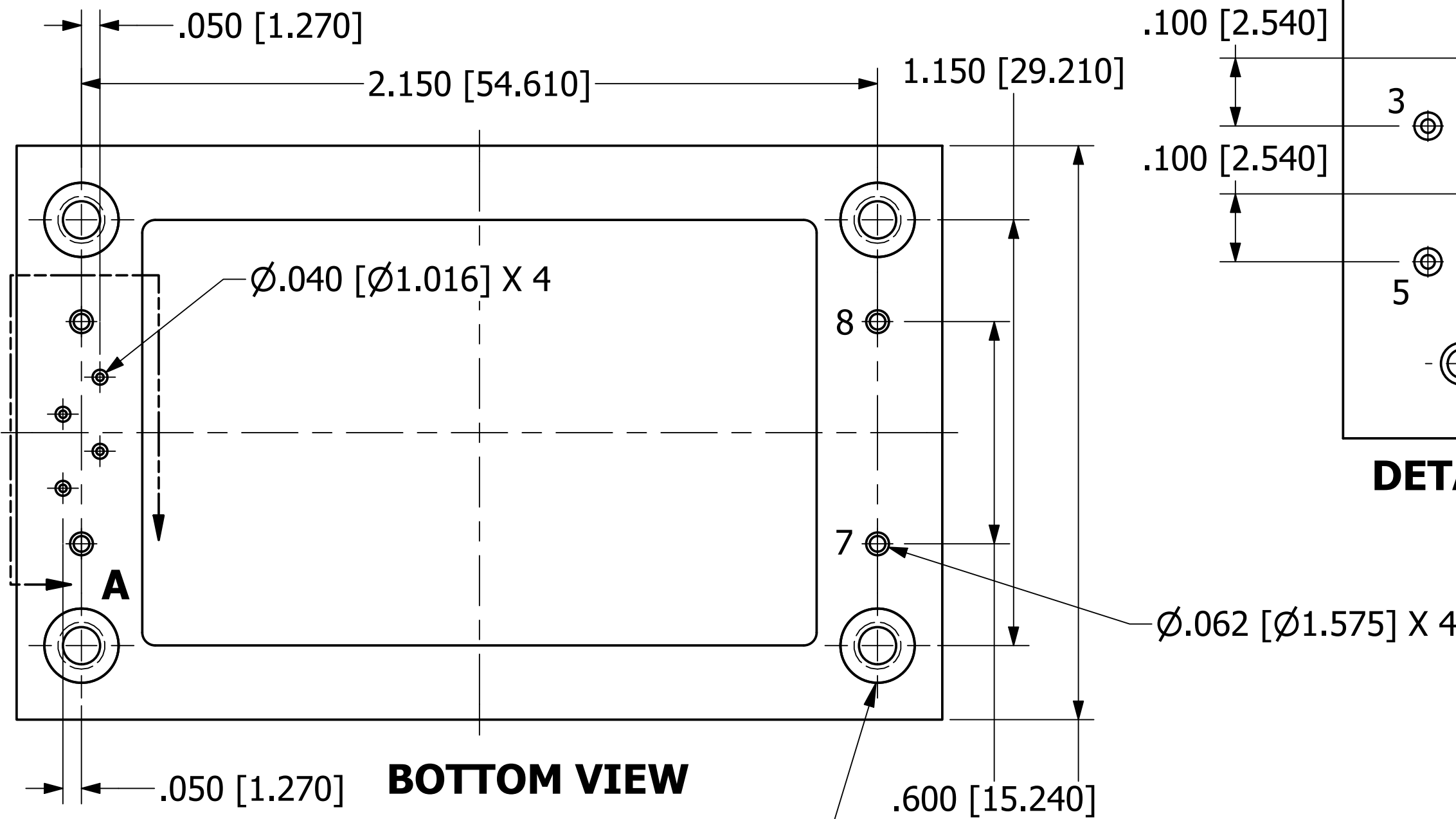
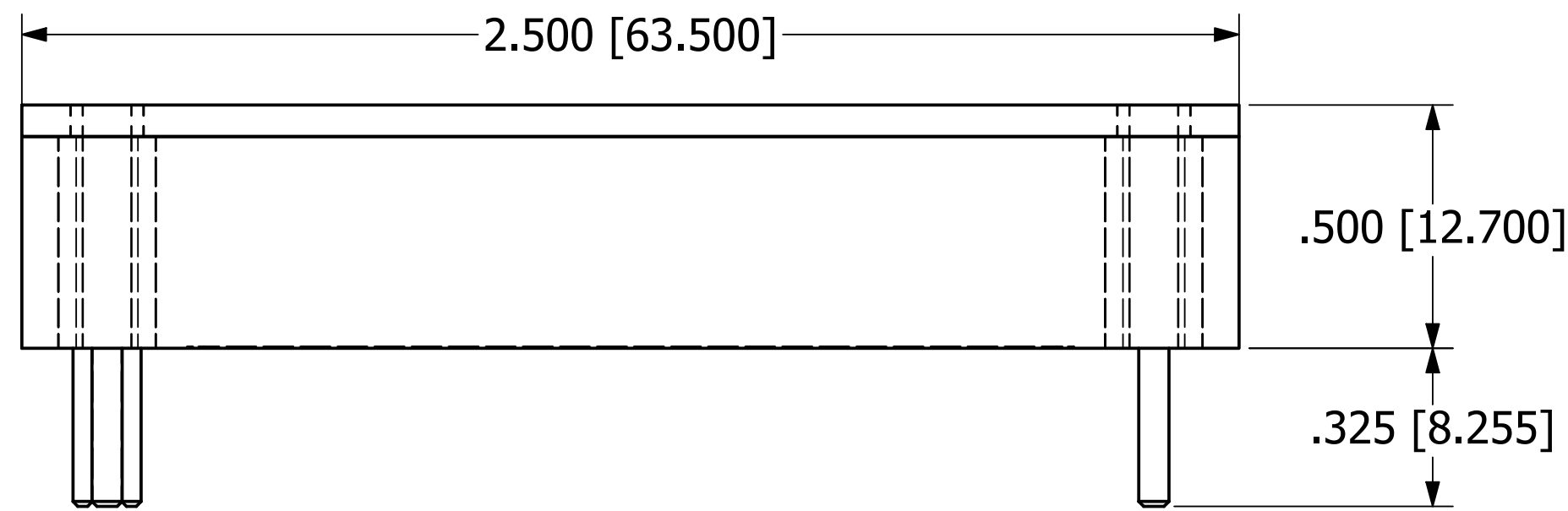


NOTES

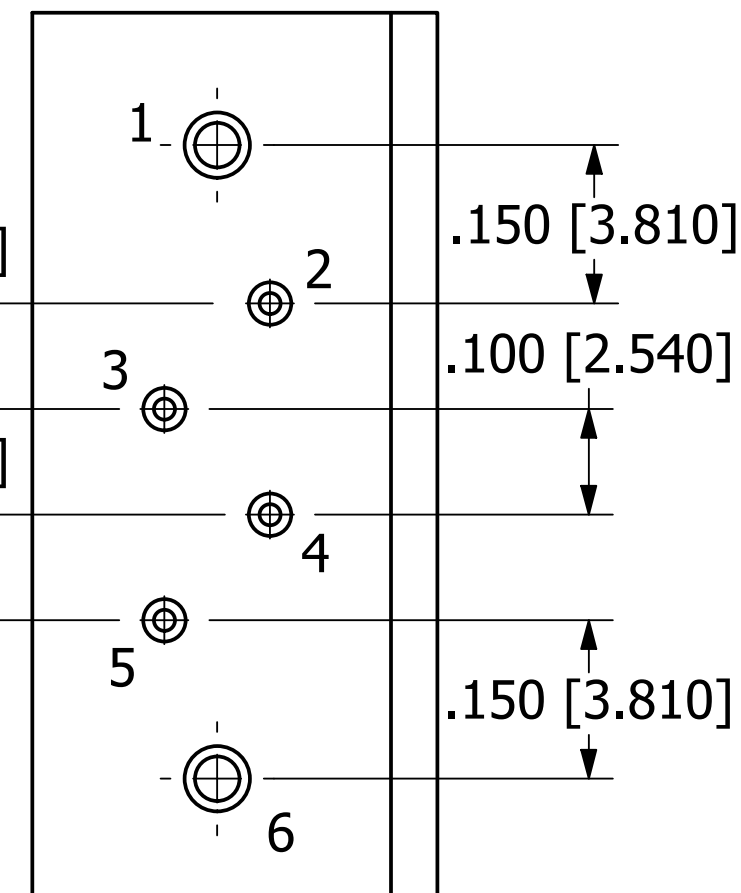
- a. ALL DIMENSIONS ARE IN INCHES, [] = MM
- b. RECOMMENDED TORQUE FOR MOUNTING SCREWS: 3-5 INCH-LBS

PIN NO.	FUNCTION	PIN DIA.
1	-IN	.062
2	SHDN	.040
3	VREF	.040
4	TRIM	.040
5	EX. B	.040
6	+IN	.062
7	+OUT	.062
8	-OUT	.062

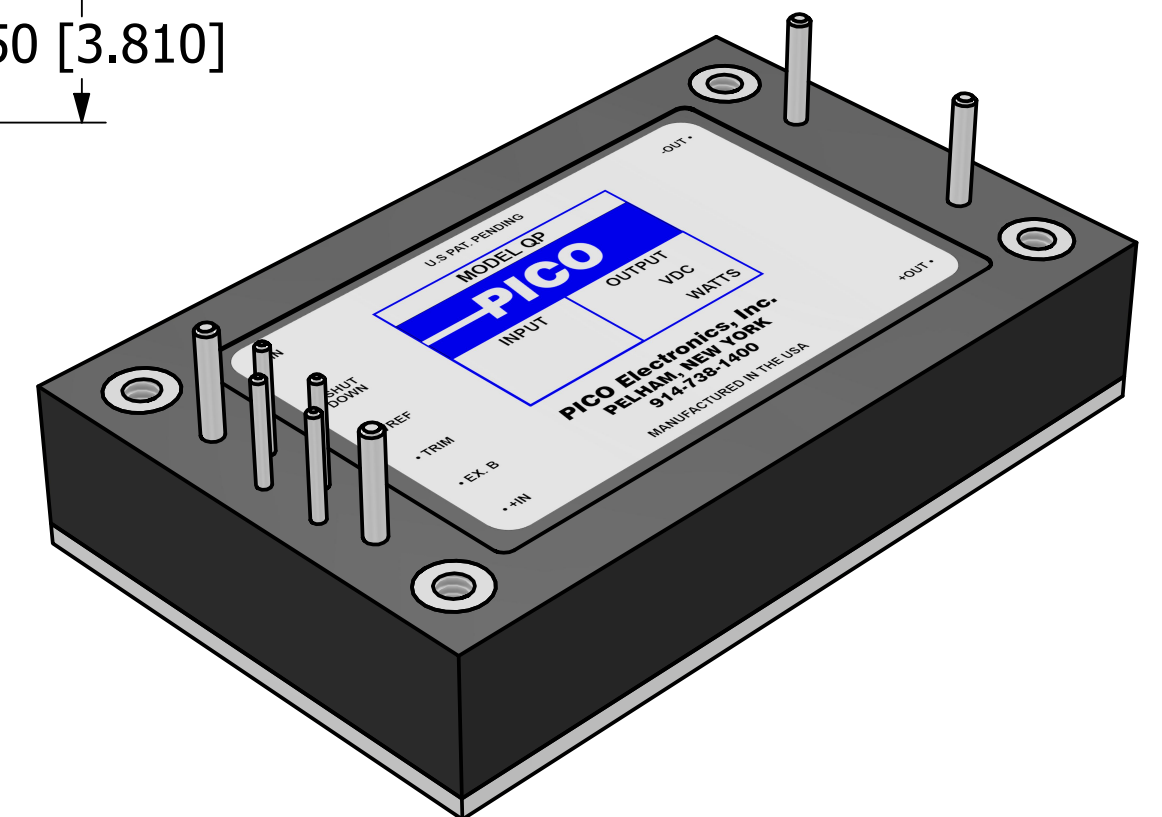
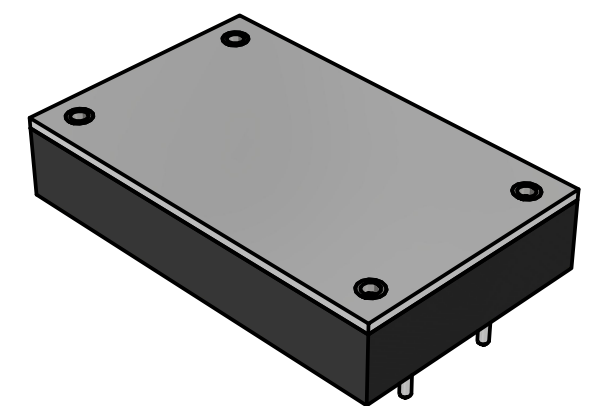


BOTTOM VIEW

4-40 THREADED
INSERT X 4



DETAIL A



PROPRIETARY AND CONFIDENTIAL
THE INFORMATION CONTAINED IN THIS DRAWING IS THE SOLE PROPERTY OF PICO ELECTRONICS INC. ANY REPRODUCTION IN PART OR AS A WHOLE WITHOUT THE WRITTEN PERMISSION OF PICO ELECTRONICS INC. IS PROHIBITED

DRAWN	P.PALUCH	PICO Electronics	143 Sparks Ave Village of Pelham, NY 10803	
CHECKED	H. VIDAURRE			
QA		SERIES QP		
MFG				
APPROVED		SIZE	DWG NO	REV
REVISION DATE	06/06/2023	C		1
		SCALE	NTS	www.picoelectronics.com