

4

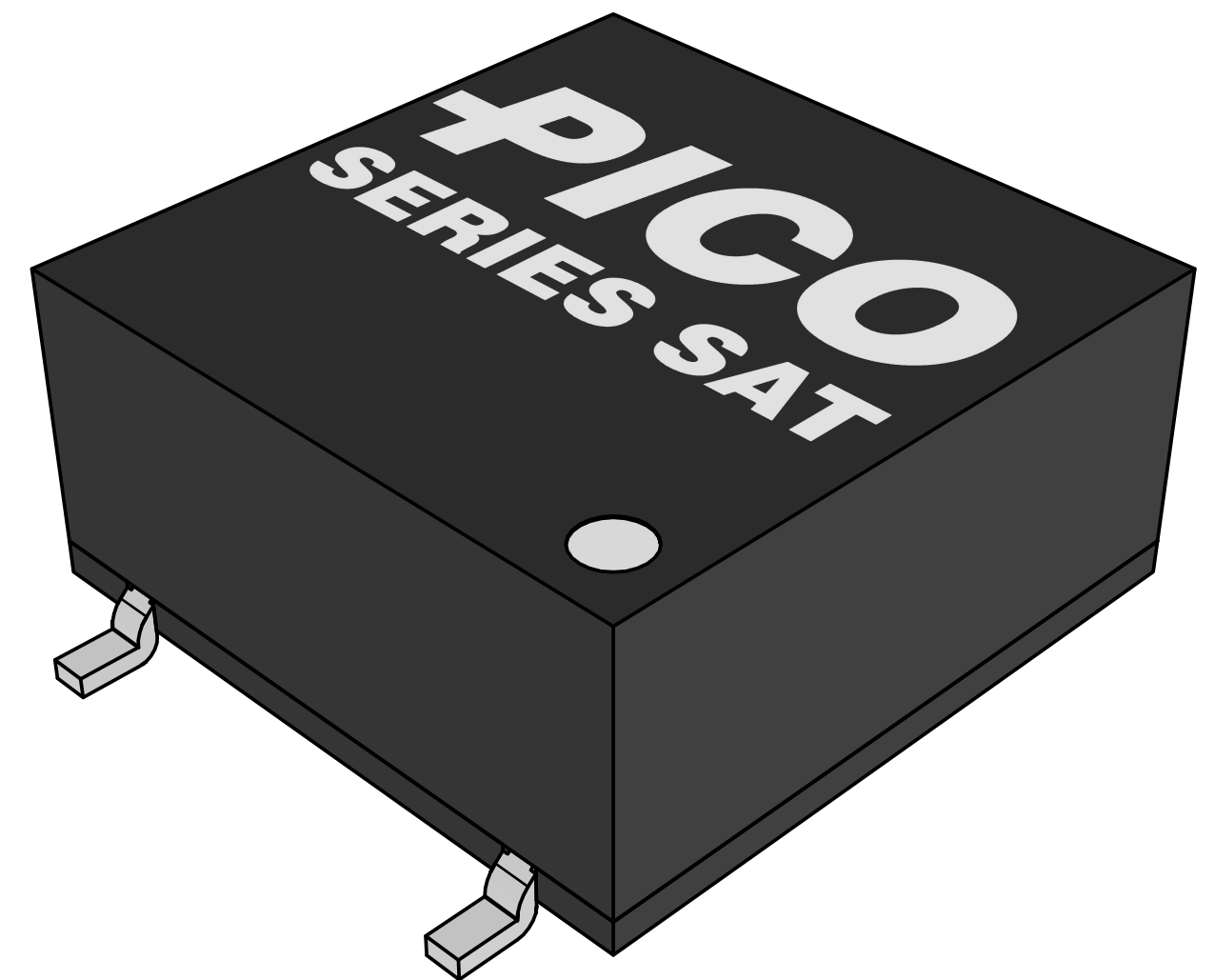
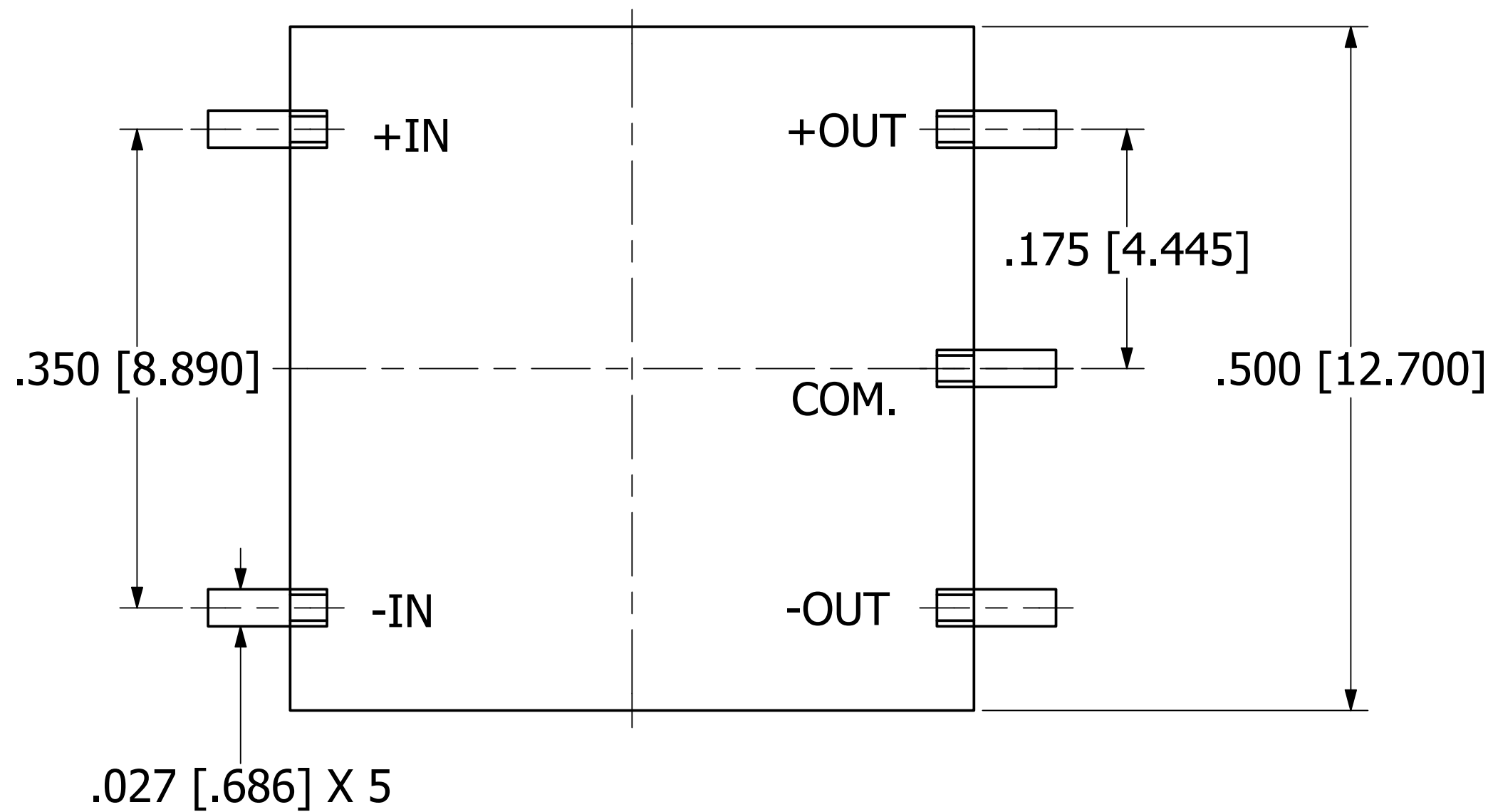
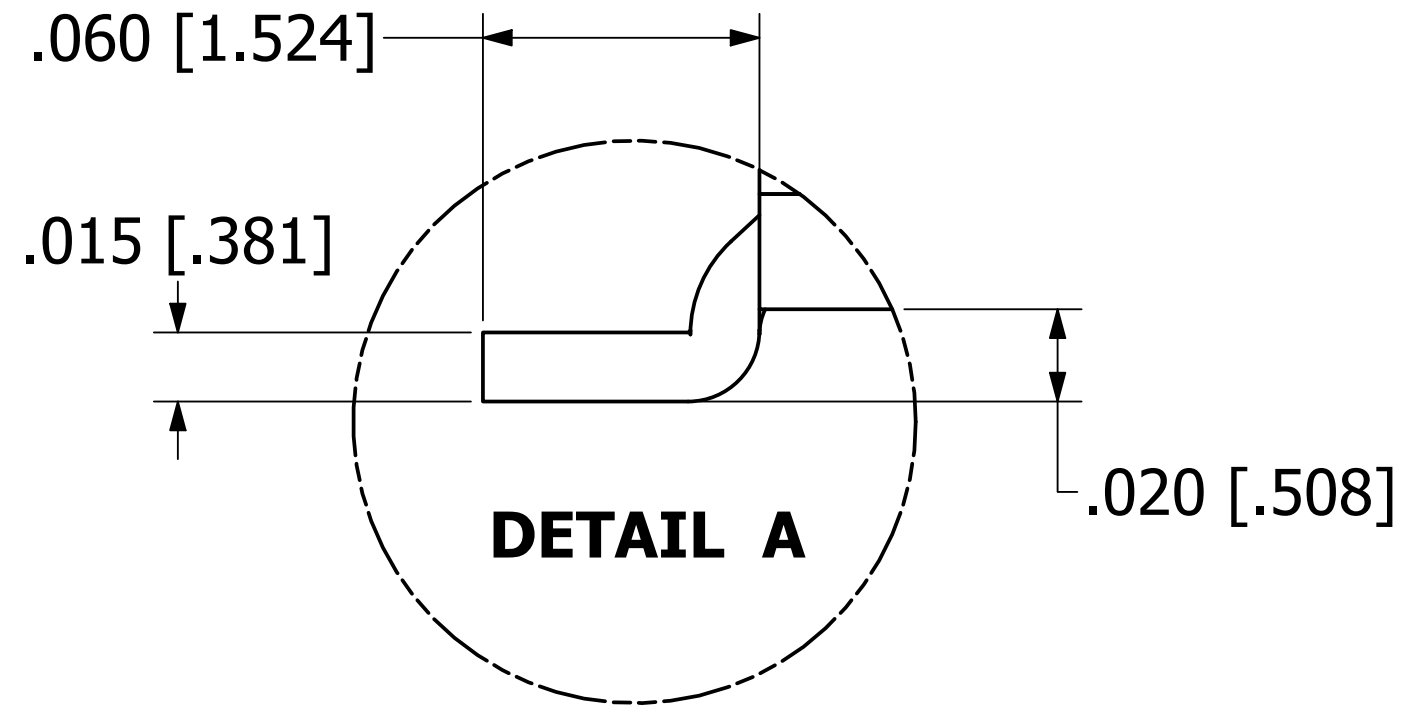
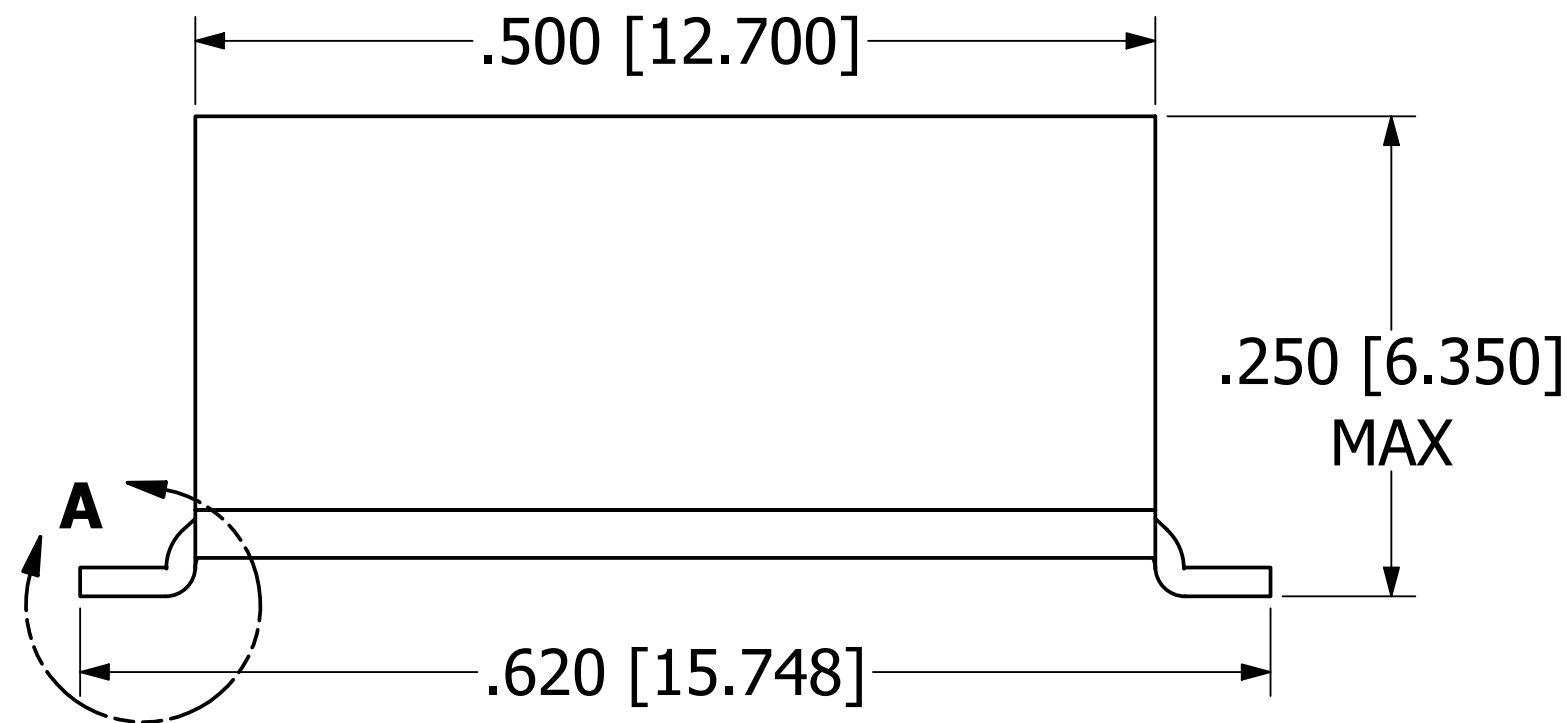
3

2

1

NOTES

- a. ALL DIMENSIONS ARE IN INCHES, [] = MM
- b. WHITE DOT INDICATES +INPUT



BOTTOM VIEW

PROPRIETARY AND CONFIDENTIAL

THE INFORMATION CONTAINED IN THIS DRAWING IS THE SOLE PROPERTY OF PICO ELECTRONICS INC. ANY REPRODUCTION IN PART OR AS A WHOLE WITHOUT THE WRITTEN PERMISSION OF PICO ELECTRONICS INC. IS PROHIBITED

DRAWN	P.PALUCH	PICO Electronics	143 Sparks Ave Village of Pelham, NY 10803	
CHECKED	H. VIDAURRE			
QA		SERIES SAT - DUAL		
MFG				
APPROVED		SIZE	DWG NO	REV
REVISION DATE	06/06/2023	C		3
		SCALE	NTS	www.picoelectronics.com

4

3

2

1

D

D

C

C

B

B

B

B

A

A