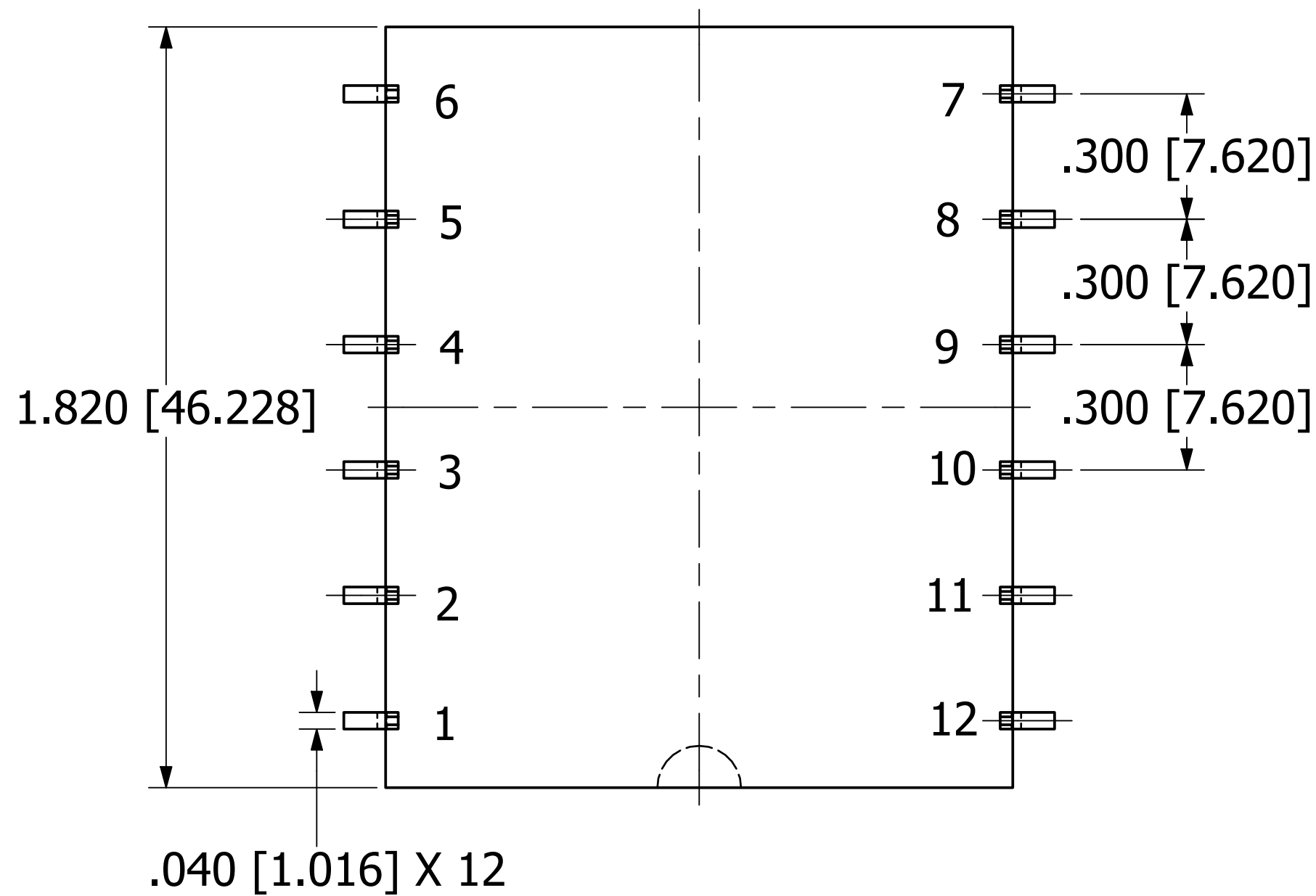
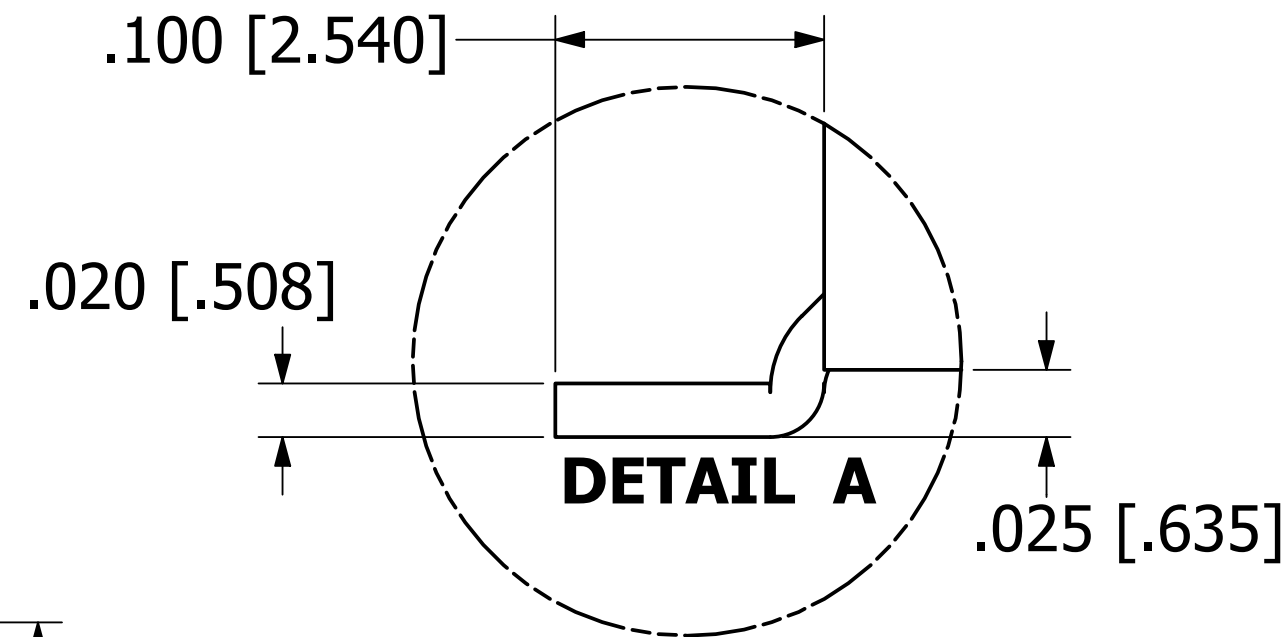
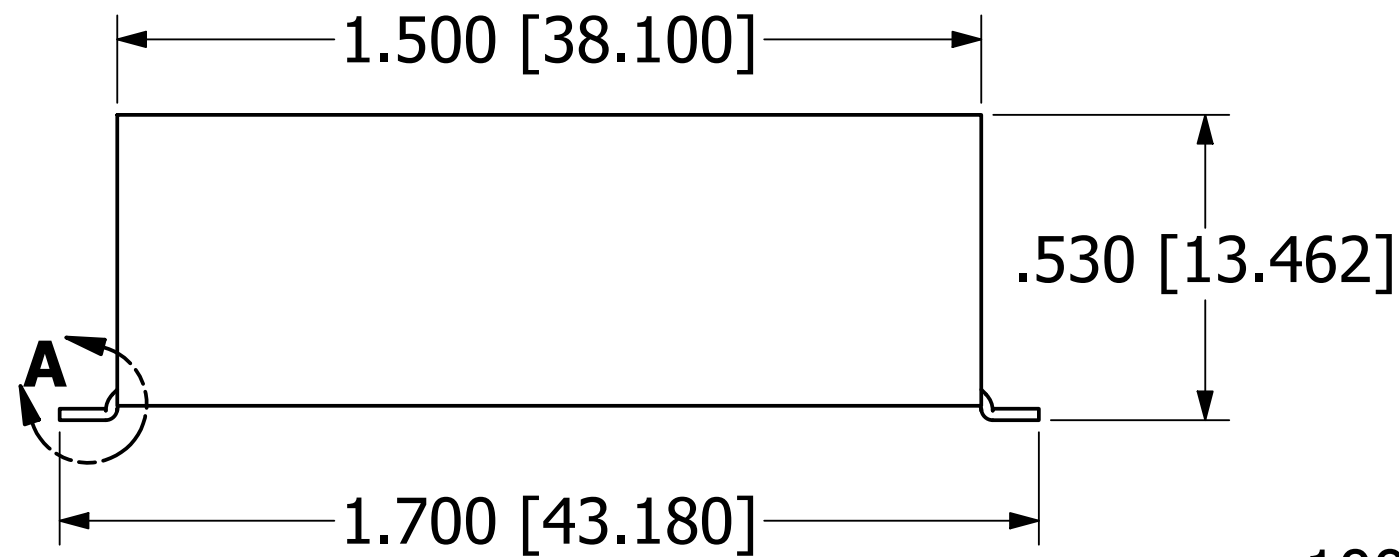


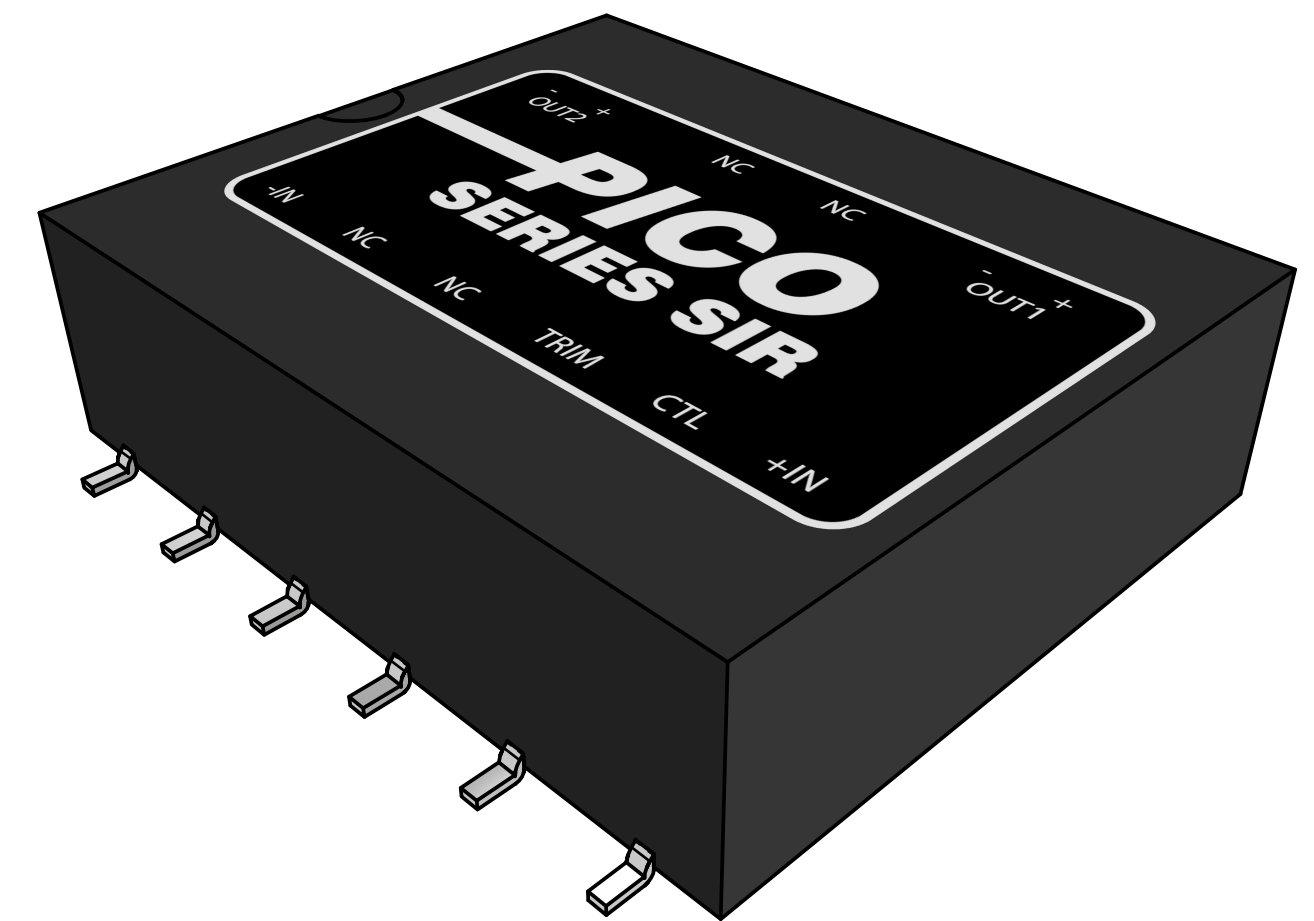
NOTES

a. ALL DIMENSIONS ARE IN INCHES, [] = MM

PIN NO.	SINGLE
1	-IN
2	NC
3	NC
4	TRIM
5	CONTROL
6	+IN
7	+OUT1
8	-OUT1
9	NC
10	NC
11	+OUT2
12	-OUT2



BOTTOM VIEW



PROPRIETARY AND CONFIDENTIAL
 THE INFORMATION CONTAINED IN THIS DRAWING IS THE SOLE PROPERTY OF
 PICO ELECTRONICS INC. ANY REPRODUCTION IN PART OR AS A WHOLE WITHOUT THE WRITTEN
 PERMISSION OF PICO ELECTRONICS INC. IS PROHIBITED

DRAWN	P.PALUCH	PICO Electronics	143 Sparks Ave Village of Pelham, NY 10803	
CHECKED	H. VIDAURRE			
QA		SERIES SIR - DUAL		
MFG				
APPROVED		SIZE	DWG NO	REV
REVISION DATE	06/06/2023	C		3
		SCALE	NTS	www.picoelectronics.com