

4

3

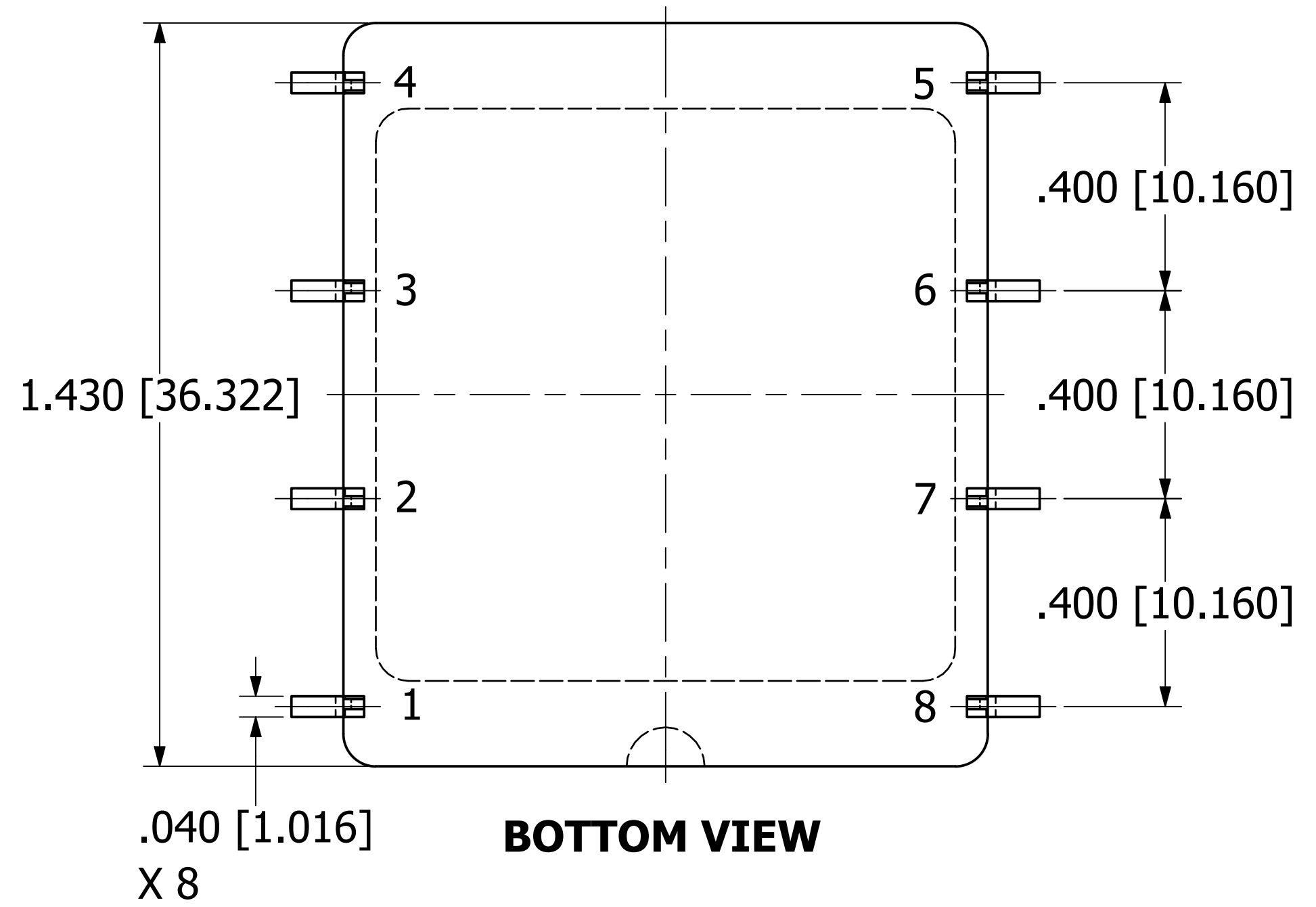
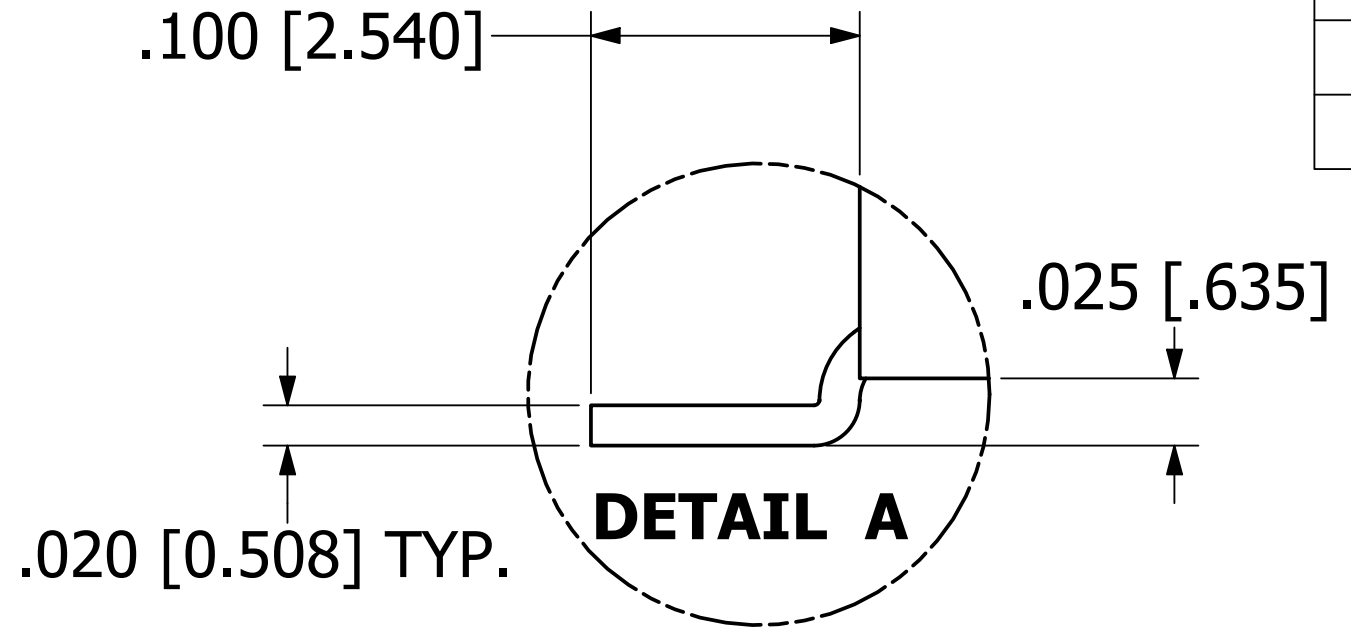
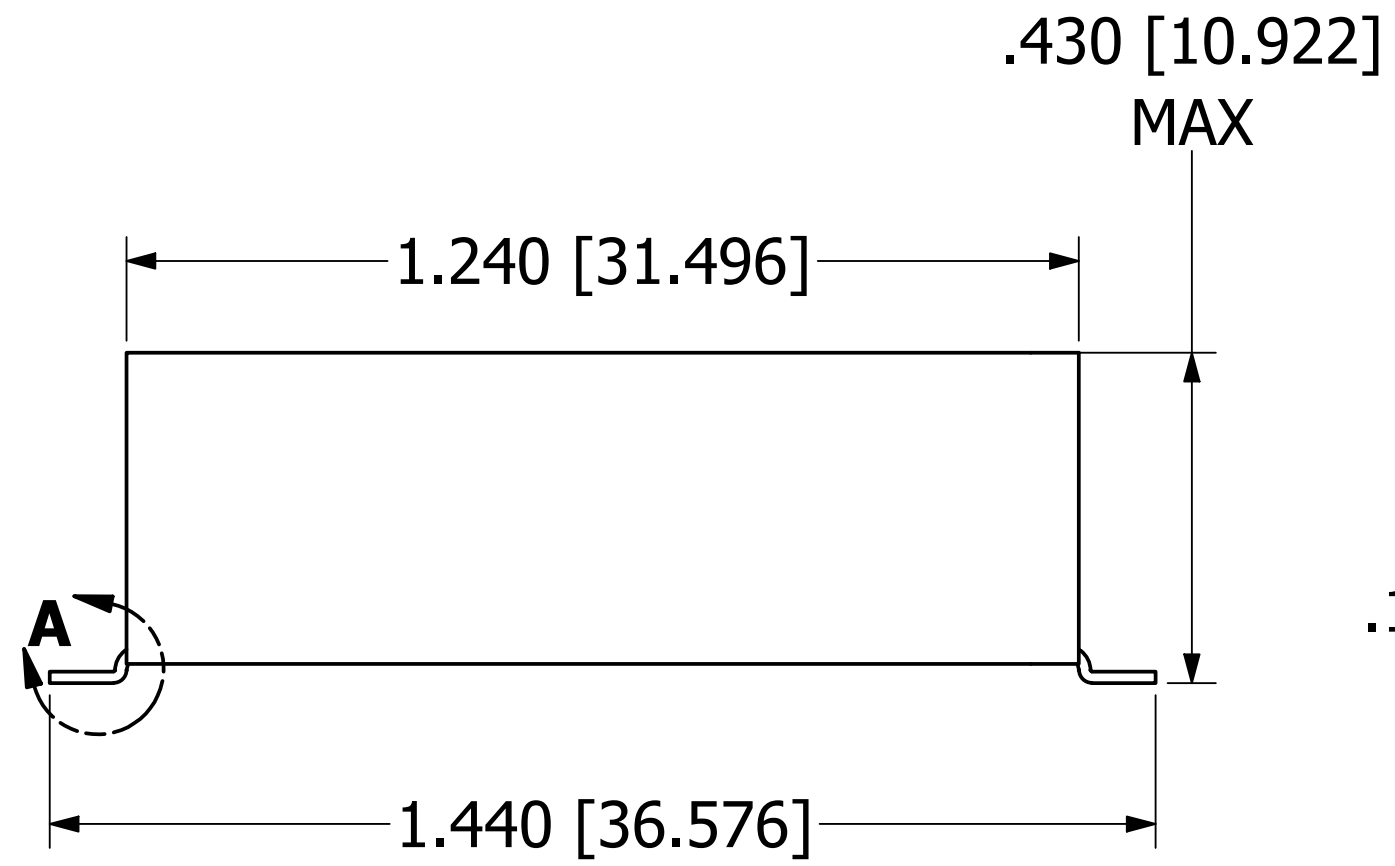
2

1

**NOTES**

a. ALL DIMENSIONS ARE IN INCHES, [ ] = MM

| PIN | FUNCTION |
|-----|----------|
| 1   | -IN      |
| 2   | NC       |
| 3   | NC       |
| 4   | +IN      |
| 5   | +OUT     |
| 6   | -OUT     |
| 7   | NC       |
| 8   | NC       |



**BOTTOM VIEW**



**PROPRIETARY AND CONFIDENTIAL**  
 THE INFORMATION CONTAINED IN THIS DRAWING IS THE SOLE PROPERTY OF PICO ELECTRONICS INC. ANY REPRODUCTION IN PART OR AS A WHOLE WITHOUT THE WRITTEN PERMISSION OF PICO ELECTRONICS INC. IS PROHIBITED

|               |             |                            |   |                         |
|---------------|-------------|----------------------------|---|-------------------------|
| DRAWN         | P.PALUCH    | <b>PICO</b><br>Electronics | 143 Sparks Ave<br>Village of Pelham, NY 10803 |                         |
| CHECKED       | H. VIDAURRE |                            |   |                         |
| QA            |             | <b>SERIES SVV</b>          |   |                         |
| MFG           |             |                            |   |                         |
| APPROVED      |             | SIZE                       | DWG NO  | REV                     |
| REVISION DATE | 06/06/2023  | C                          |   | 3                       |
|               |             | SCALE                      | NTS   | www.picoelectronics.com |

4

3

2

1

D

D

C

C

B

B

A

A